

6EHG1-2 ✓ ACTIVE

Corcom | Corcom HG

TE Internal #: 6609116-3

Power Entry Module, No Switch, Shielded, Right Angle, 6 A, .250"

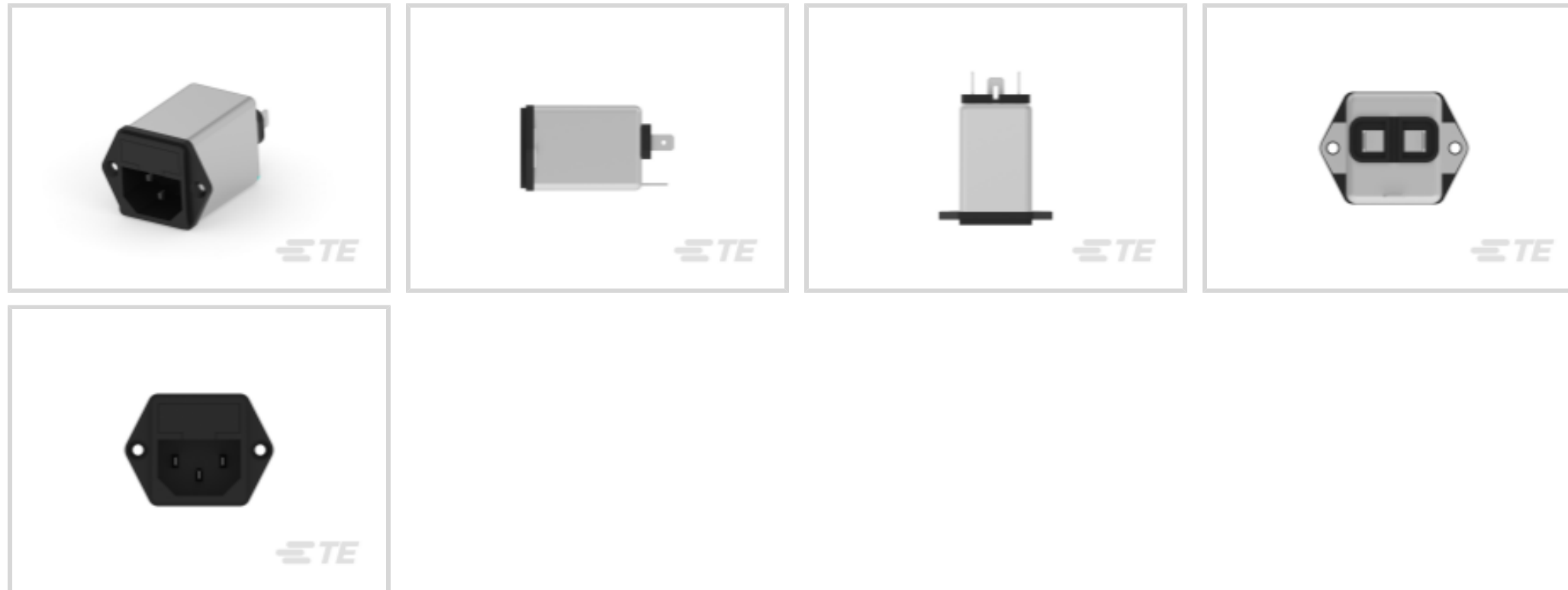
FASTON Output, 250 VAC, Filtered, IEC 60320-1 C-14, Corcom HG,

Power Entry Modules

[View on TE.com >](#)



EMI & EMC Solutions > EMI Filters > Power Entry Modules > Multi-Function Inlet, Corcom HG Series



Filter Type: **Power Entry Module**

Filter Switch Type: **No Switch**

Filter Shield Type: **Shielded**

Product Orientation: **Right Angle**

Leakage Current (Max) (120VAC, 60Hz): **2 μ A**

[All Multi-Function Inlet, Corcom HG Series \(11\)](#)

Features

Mechanical Attachment

Panel Mount Feature Type	Flange
--------------------------	--------

Usage Conditions

Operating Temperature Range	-10 – 40 °C
-----------------------------	-------------

Product Type Features

Ground Choke Option	No
Filter Type	Power Entry Module
Filter Switch Type	No Switch
Output Termination Type	.250" FASTON
Filtering Requirements	Filtered
Filter Connector Type	IEC 60320-1 C-14

Body Features

Filter Shield Type	Shielded
--------------------	----------



Product Orientation

Right Angle

Electrical Characteristics

Leakage Current (Max) (120VAC, 60Hz)

2 μ A

Leakage Current (Max) (250VAC, 50Hz)

5 μ A

Current Rating

6 A

Operating Voltage

250 VAC

Configuration Features

Fuse Options

Dual

Other

EU RoHS Compliance

Compliant

EU ELV Compliance

Compliant

Product Compliance

[For compliance documentation, visit the product page on TE.com>](#)

EU RoHS Directive 2011/65/EU

Compliant

EU ELV Directive 2000/53/EC

Compliant

China RoHS 2 Directive MIIT Order No 32, 2016

No Restricted Materials Above Threshold

EU REACH Regulation (EC) No. 1907/2006

Current ECHA Candidate List: JUNE 2024 (241)
 Candidate List Declared Against: JUNE 2024 (241)
 Does not contain REACH SVHC

Halogen Content

Not Low Halogen - contains Br or Cl > 900 ppm.

Solder Process Capability

Not applicable for solder process capability

Product Compliance Disclaimer

This information is provided based on reasonable inquiry of our suppliers and represents our current actual knowledge based on the information they provided. This information is subject to change. The part numbers that TE has identified as EU RoHS compliant have a maximum concentration of 0.1% by weight in homogenous materials for lead, hexavalent chromium, mercury, PBB, PBDE, DBP, BBP, DEHP, DIBP, and 0.01% for cadmium, or qualify for an exemption to these limits as defined in the Annexes of Directive 2011/65/EU (RoHS2). Finished electrical and electronic equipment products will be CE marked as required by Directive 2011/65/EU. Components may not be CE marked. Additionally, the part numbers that TE has identified as EU ELV compliant have a maximum concentration of 0.1% by weight in homogenous materials for lead, hexavalent chromium, and mercury, and 0.01% for cadmium, or qualify for an exemption to these limits as defined in the Annexes of Directive 2000/53/EC (ELV). Regarding the REACH Regulation, the information TE provides on SVHC in articles for this part number is based on the latest European Chemicals Agency (ECHA) 'Guidance on requirements for substances in articles' posted at this URL: <https://echa.europa.eu/guidance-documents/guidance-on-reach>



Compatible Parts

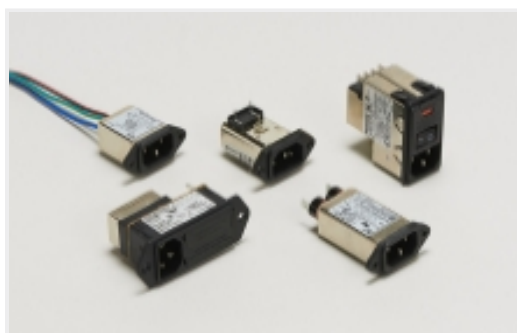


TE Part # 1609116-6
10EHGS1-2=F8242



TE Part # CAT-C8114-G34
CORCOM GG SERIES MULTI-FUNCTION INLET FI

Also in the Series | Corcom HG



Power Entry Modules(11)

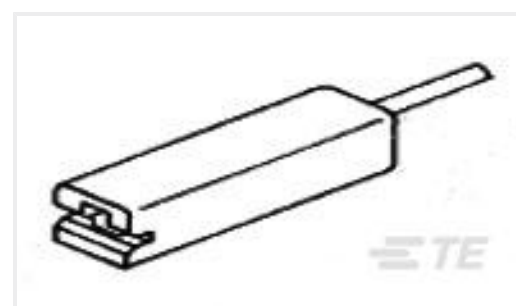
Customers Also Bought



TE Part #7-1625963-7
HSA5 2R0 5%



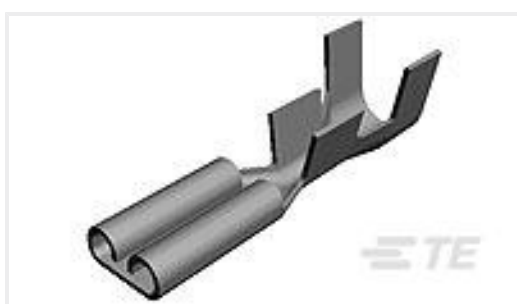
TE Part #31164
TERMINAL,BUDG R 16-14 1/4



TE Part #1-480417-0
110 FASTON HSG.,REC.,1 POS, NATRUAL



TE Part #170823-1
110 FASTON SLEEVE,TAB, TRANSPARENT,NAT



TE Part #60577-1
110 FASTON REC 22-18 AWG TPBR



TE Part #6609053-6
6EHT3=F7665 S0



TE Part #8-36152-1
PIDG R 22-16 COMM 22-18 MIL 6



TE Part #7-1437558-2
MTE206N=(MSTE) SWITCH TOGGLE W



TE Part #2213678-5
Z35 MINI LED HOLDER 13.5*13.5MM
PANHEAD



TE Part #4-1625999-5
HSC100 6K0 5%

Documents

Product Drawings

[6EHG1-2=F7704 S0](#)

English

CAD Files

Customer View Model

[ENG_CVM_CVM_6609116-3_E1.3d_igs.zip](#)

English

Customer View Model

[ENG_CVM_CVM_6609116-3_E1.3d_stp.zip](#)

English

Customer View Model

[ENG_CVM_CVM_6609116-3_E1.2d_dxf.zip](#)

English

[3D PDF](#)

3D

By downloading the CAD file I accept and agree to the [Terms and Conditions](#) of use.

Datasheets & Catalog Pages

[1654001_CORCOM_PRODUCT_GUIDE_GG_HG](#)

English

[Corcom Combined Selector Charts](#)

English

[1-1654250-1_CORCOM_EMI_RFI_QRG](#)

English