



EMI & EMC Solutions > EMC Filters > Power Line Filters > 3-Phase Filters



Current Rating: 25 A

Input Termination Type: Terminal Block

Output Termination Type: Terminal Block

Wiring Configuration: WYE (4 wire + ground)

Operating Voltage: 480 VAC

Features

Product Type Features

Filtering Requirements	Filtered
Input Termination Type	Terminal Block
Output Termination Type	Terminal Block

Configuration Features

Wiring Configuration	WYE (4 wire + ground)
----------------------	-----------------------

Electrical Characteristics

Leakage Current (Max) (250VAC, 50Hz)	118 mA
Current Rating	25 A
Operating Voltage	480 VAC

Mechanical Attachment

Product Mount Type	Chassis Mount
--------------------	---------------

Usage Conditions

Operating Temperature Range	-10 – 40 °C
-----------------------------	-------------

Product Compliance

[For compliance documentation, visit the product page on TE.com>](#)

EU RoHS Directive 2011/65/EU	Compliant
EU ELV Directive 2000/53/EC	Compliant
China RoHS 2 Directive MIIT Order No 32, 2016	有害物质含量符合标准要求 No Restricted Substance(s) Above Threshold
EU REACH Regulation (EC) No. 1907/2006	Current ECHA Candidate List: JUNE 2025 (250) Candidate List Declared Against: JAN 2025 (247) SVHC > Threshold: Triphenyl phosphate (TPP) (1.3% in Component) Article Safe Usage Statements: Wash thoroughly after handling. Do not handle until all safety precautions have been read and understood. Recycle if possible and dispose of the article by following all applicable governmental regulations relevant to your geographic location.
Halogen Content	Low Halogen - Br, Cl, F < 900 ppm per homogenous material. Also BFR/CFR/PVC Free
Solder Process Capability	Not applicable for solder process capability

Product Compliance Disclaimer

This information is provided based on reasonable inquiry of our suppliers and represents our current actual knowledge based on the information they provided. This information is subject to change. The part numbers that TE has identified as EU RoHS compliant have a maximum concentration of 0.1% by weight in homogenous materials for lead, hexavalent chromium, mercury, PBB, PBDE, DBP, BBP, DEHP, DIBP, and 0.01% for cadmium, or qualify for an exemption to these limits as defined in the Annexes of Directive 2011/65/EU (RoHS2). Finished electrical and electronic equipment products will be CE marked as required by Directive 2011/65/EU. Components may not be CE marked. Additionally, the part numbers that TE has identified as EU ELV compliant have a maximum concentration of 0.1% by weight in homogenous materials for lead, hexavalent chromium, and mercury, and 0.01% for cadmium, or qualify for an exemption to these limits as defined in the Annexes of Directive 2000/53/EC (ELV). Regarding the REACH Regulation, the information TE provides on SVHC in articles for this part number is based on the latest European Chemicals Agency (ECHA) 'Guidance on requirements for substances in articles' posted at this URL: <https://echa.europa.eu/guidance-documents/guidance-on-reach>

Customers Also Bought



TE Part #1SNK710911R0000
EK10-3P



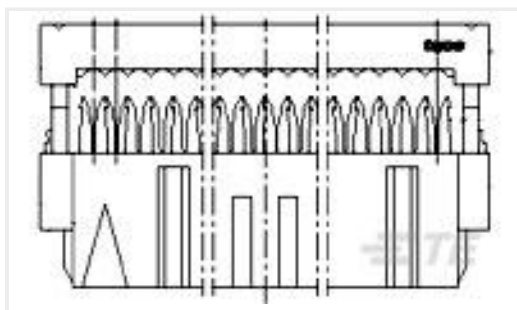
TE Part #102387-6
26 MODIV HSG COMP DR .100 POL



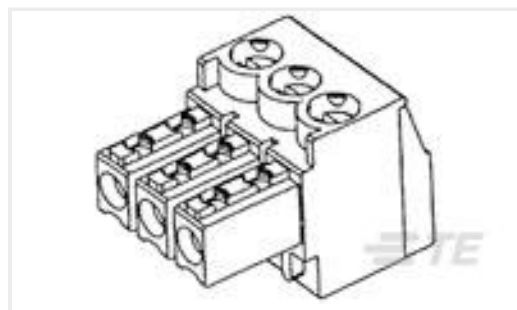
TE Part #179465-1
AMP POWER DBL LOCK CAP HSG 4P



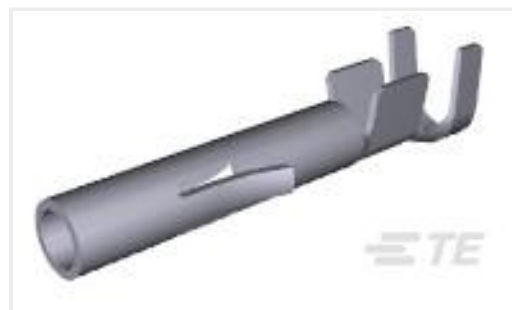
TE Part #179592-1
AMP POWER D/LOCK REC CONT. LP



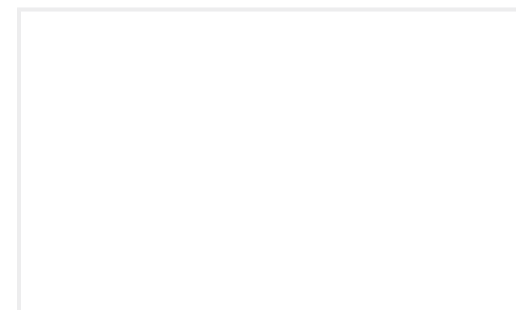
TE Part #1-215882-0
10 WAY BLACK MK II RECP



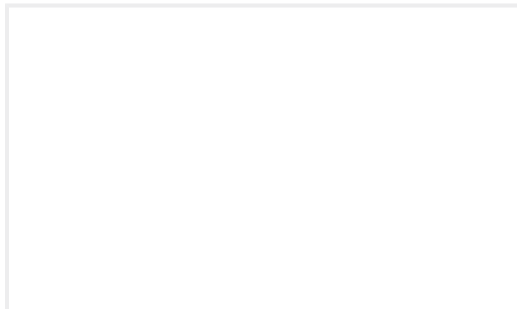
TE Part #284506-2
2 POS TERMI-BLOK PLUG STACK 3,



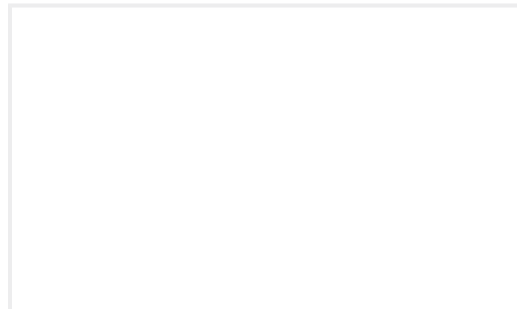
TE Part #350536-3
UMNL SOK 20-14 .0125 PTPPHBZ



TE Part #1SNK200198R0000
ZEB.00198



TE Part #1SNK200048R0000
ZEB.00048



TE Part #ASA385M0459001K000
627 PLUG, 26-PIN

Documents

CAD Files

Customer View Model

[ENG_CVM_CVM_6609068-4_P.2d_dxf.zip](#)

English

Customer View Model

[ENG_CVM_CVM_6609068-4_P.3d_igs.zip](#)

English

Customer View Model

[ENG_CVM_CVM_6609068-4_P.3d_stp.zip](#)

English

3D PDF

3D

By downloading the CAD file I accept and agree to the [Terms and Conditions](#) of use.

Datasheets & Catalog Pages

[1654001_Corcom_Product_Guide_AYC_Series](#)

English

[Corcom Combined Selector Charts](#)

English

[1-1654250-1_CORCOM_EMI_RFI_QRG](#)

English

[Schaffner and Corcom Selector Chart](#)

English

Agency Approvals

[UL Report](#)

English

