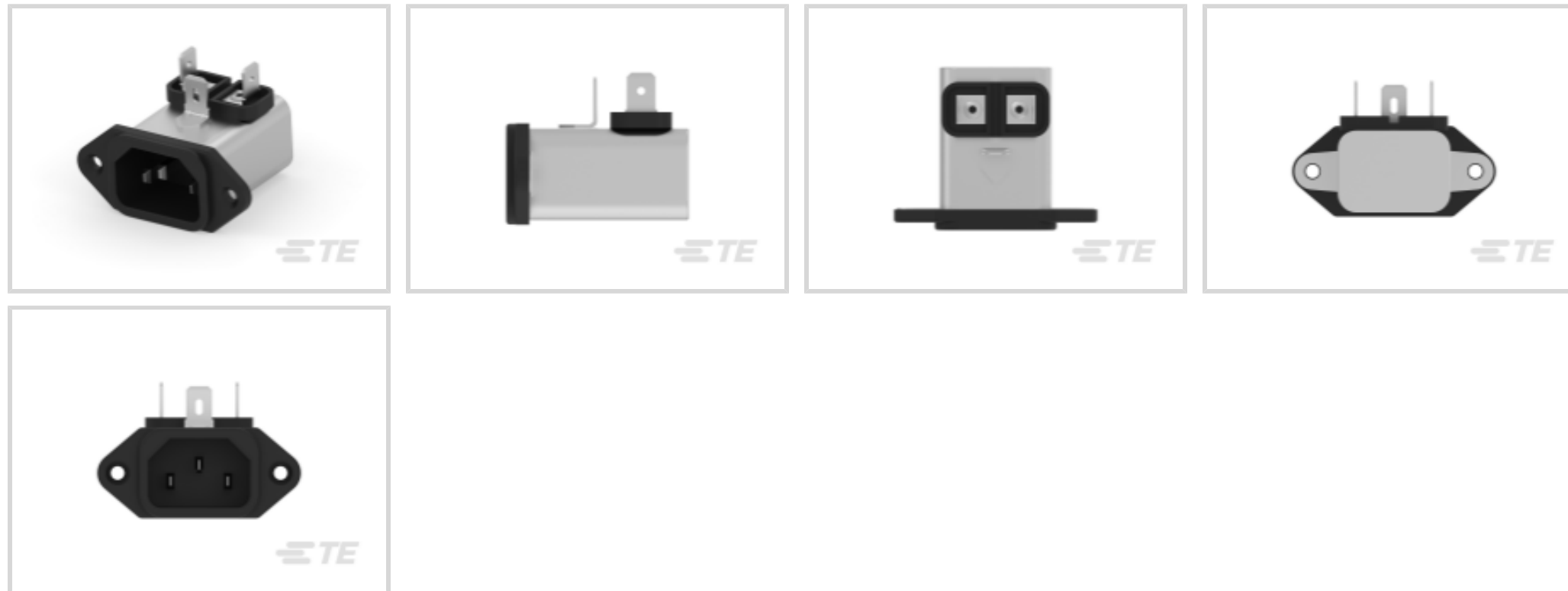




EMI & EMC Solutions > EMI Filters > Power Entry Modules > IEC Filtered Inlets, Corcom EEA Series



Filter Type: **Power Line**

Product Orientation: **Right Angle**

Leakage Current (Max) (120VAC, 60Hz): **220  $\mu$ A**

Leakage Current (Max) (250VAC, 50Hz): **380  $\mu$ A**

Current Rating: **6 A**

[All IEC Filtered Inlets, Corcom EEA Series \(0\)](#)

## Features

### Mechanical Attachment

Panel Mount Feature Type	Flange
--------------------------	--------

### Product Type Features

Ground Choke Option	No
Filter Type	Power Line
Output Termination Type	.250" FASTON
Filtering Requirements	Filtered
Filter Connector Type	IEC 320/C-14

### Body Features

Product Orientation	Right Angle
---------------------	-------------

### Electrical Characteristics

Leakage Current (Max) (120VAC, 60Hz)	220 $\mu$ A
Leakage Current (Max) (250VAC, 50Hz)	380 $\mu$ A
Current Rating	6 A

Operating Voltage 250 VAC

### Other

EU RoHS Compliance Compliant

EU ELV Compliance Compliant

### Product Compliance

[For compliance documentation, visit the product page on TE.com>](#)

EU RoHS Directive 2011/65/EU Compliant

EU ELV Directive 2000/53/EC Compliant

China RoHS 2 Directive MIIT Order No 32, 2016 No Restricted Materials Above Threshold

EU REACH Regulation (EC) No. 1907/2006  
 Current ECHA Candidate List: JUNE 2024 (241)  
 Candidate List Declared Against: JAN 2023 (233)  
 Does not contain REACH SVHC

Halogen Content Not Low Halogen - contains Br or Cl > 900 ppm.

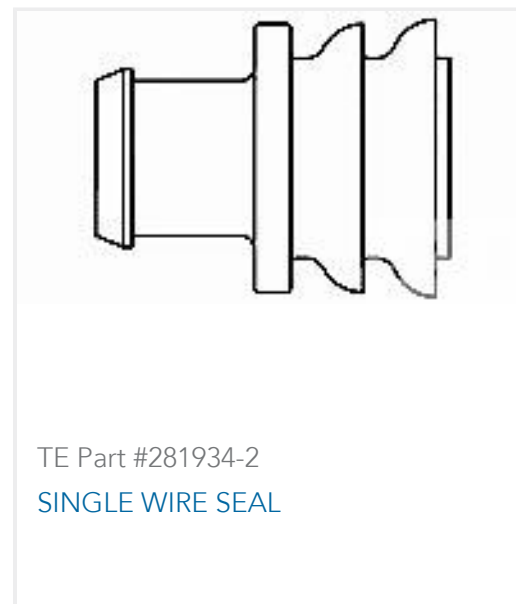
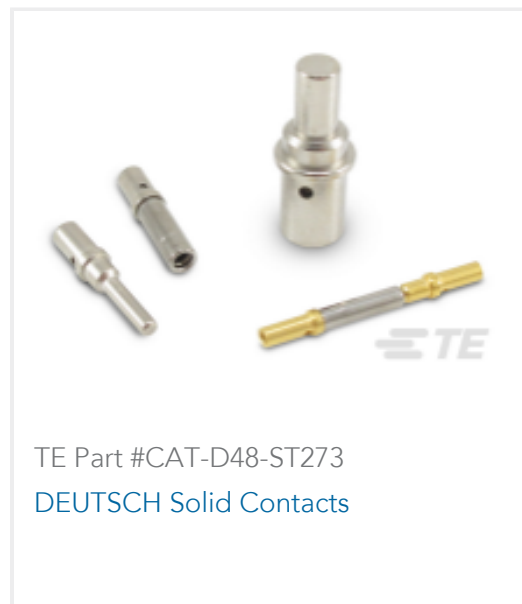
Solder Process Capability Not applicable for solder process capability

#### Product Compliance Disclaimer

This information is provided based on reasonable inquiry of our suppliers and represents our current actual knowledge based on the information they provided. This information is subject to change. The part numbers that TE has identified as EU RoHS compliant have a maximum concentration of 0.1% by weight in homogenous materials for lead, hexavalent chromium, mercury, PBB, PBDE, DBP, BBP, DEHP, DIBP, and 0.01% for cadmium, or qualify for an exemption to these limits as defined in the Annexes of Directive 2011/65/EU (RoHS2). Finished electrical and electronic equipment products will be CE marked as required by Directive 2011/65/EU. Components may not be CE marked. Additionally, the part numbers that TE has identified as EU ELV compliant have a maximum concentration of 0.1% by weight in homogenous materials for lead, hexavalent chromium, and mercury, and 0.01% for cadmium, or qualify for an exemption to these limits as defined in the Annexes of Directive 2000/53/EC (ELV). Regarding the REACH Regulation, the information TE provides on SVHC in articles for this part number is based on the latest European Chemicals Agency (ECHA) 'Guidance on requirements for substances in articles' posted at this URL: <https://echa.europa.eu/guidance-documents/guidance-on-reach>

### Also in the Series |

### Customers Also Bought



## Documents

### Product Drawings

[6EEA2=F7116G S0](#)

English

### CAD Files

[3D PDF](#)

3D

Customer View Model

[ENG\\_CVM\\_CVM\\_6609000-8\\_B.2d\\_dxf.zip](#)

English

Customer View Model

[ENG\\_CVM\\_CVM\\_6609000-8\\_B.3d\\_igs.zip](#)

English

Customer View Model

[ENG\\_CVM\\_CVM\\_6609000-8\\_B.3d\\_stp.zip](#)

English

By downloading the CAD file I accept and agree to the [Terms and Conditions](#) of use.

### Datasheets & Catalog Pages

[1654001\\_CORCOM\\_PRODUCT\\_GUIDE\\_EEA\\_EEB](#)

English

[Corcom Combined Selector Charts](#)

English