



Product Compliance

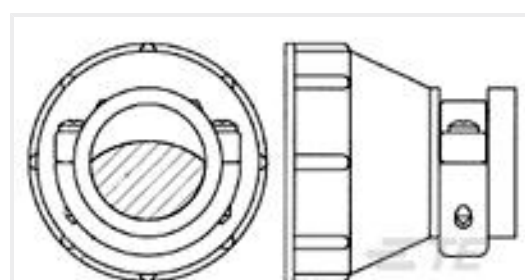
[For compliance documentation, visit the product page on TE.com>](#)

EU RoHS Directive 2011/65/EU	Compliant
EU ELV Directive 2000/53/EC	Compliant
China RoHS 2 Directive MIIT Order No 32, 2016	No Restricted Materials Above Threshold
EU REACH Regulation (EC) No. 1907/2006	Current ECHA Candidate List: JUNE 2024 (241) Candidate List Declared Against: JAN 2018 (181) SVHC > Threshold: Not Yet Reviewed
Halogen Content	BFR/CFR/PVC Free, but Br/Cl >900 ppm in other sources.
Solder Process Capability	Wave solder capable to 260°C

Product Compliance Disclaimer

This information is provided based on reasonable inquiry of our suppliers and represents our current actual knowledge based on the information they provided. This information is subject to change. The part numbers that TE has identified as EU RoHS compliant have a maximum concentration of 0.1% by weight in homogenous materials for lead, hexavalent chromium, mercury, PBB, PBDE, DBP, BBP, DEHP, DIBP, and 0.01% for cadmium, or qualify for an exemption to these limits as defined in the Annexes of Directive 2011/65/EU (RoHS2). Finished electrical and electronic equipment products will be CE marked as required by Directive 2011/65/EU. Components may not be CE marked. Additionally, the part numbers that TE has identified as EU ELV compliant have a maximum concentration of 0.1% by weight in homogenous materials for lead, hexavalent chromium, and mercury, and 0.01% for cadmium, or qualify for an exemption to these limits as defined in the Annexes of Directive 2000/53/EC (ELV). Regarding the REACH Regulations, TE's information on SVHC in articles for this part number is still based on the European Chemical Agency (ECHA) 'Guidance on requirements for substances in articles' (Version: 2, April 2011), applying the 0.1% weight on weight concentration threshold at the finished product level. TE is aware of the European Court of Justice ruling of September 10th, 2015 also known as O5A (Once An Article Always An Article) stating that, in case of 'complex object', the threshold for a SVHC must be applied to both the product as a whole and simultaneously to each of the articles forming part of its composition. TE has evaluated this ruling based on the new ECHA "Guidance on requirements for substances in articles" (June 2017, version 4.0) and will be updating its statements accordingly.

Customers Also Bought



TE Part #182930-1
CPC Cable Clamp Kit, Size 23, Large, UV



TE Part #3-1462039-2
IM26TS=IM RELAY 50mW 12V



TE Part #170141-2
187 FASTON, FLAG, REC., 20-16 AWG, TPBR



TE Part #2466268-1
BNC JACK RA PCB MNT NICKEL 3 GHZ 75 OHM



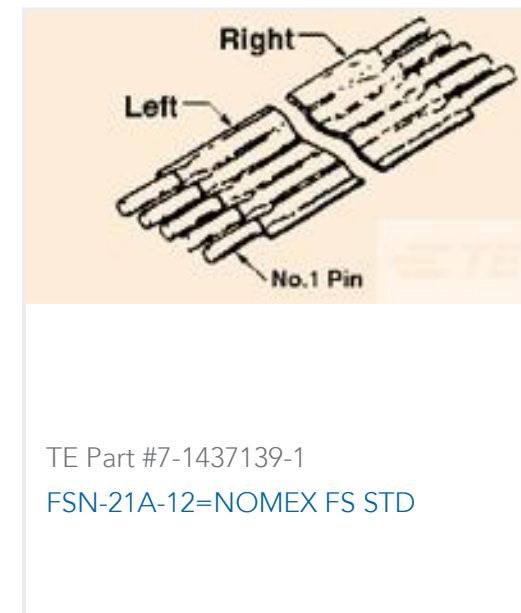
TE Part #178326-2
DYNAMIC DBL ROW HDR ASSY 12P V



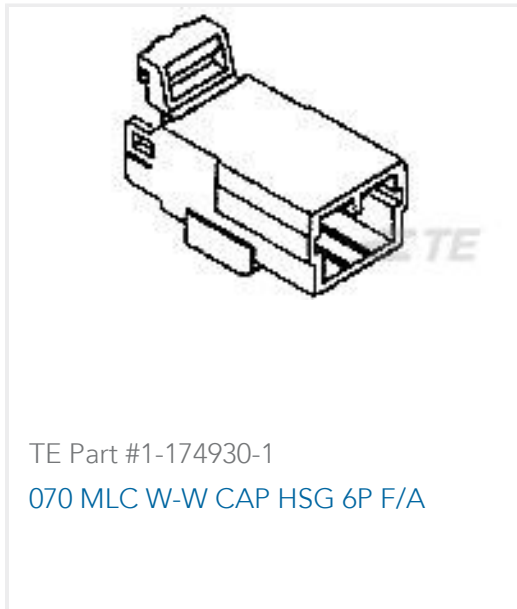
TE Part #AAA7231-00
91A1-16-06-1-B-HE100



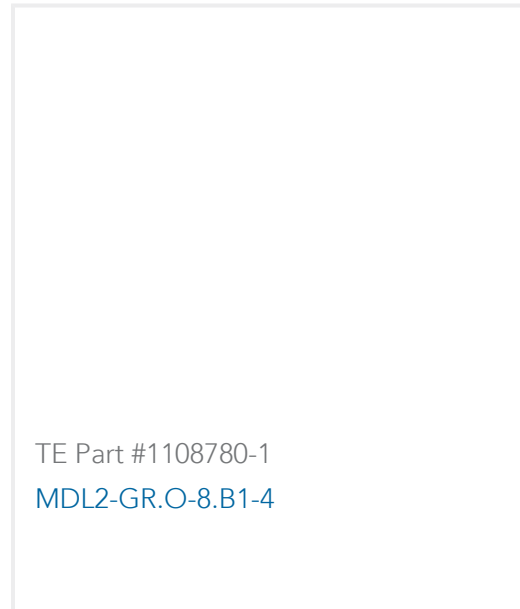
TE Part #292134-3
CT BOX HDR ASSY V 3P AU W/KINK



TE Part #7-1437139-1
FSN-21A-12=NOMEX FS STD



TE Part #1-174930-1
070 MLC W-W CAP HSG 6P F/A



TE Part #1108780-1
MDL2-GR.O-8.B1-4

Documents

Product Drawings

TC-ZIF REC ASSY 260P

Japanese

CAD Files

3D PDF

3D

Customer View Model

[ENG_CVM_CVM_6565204-6_L.2d_dxf.zip](#)

English

Customer View Model

[ENG_CVM_CVM_6565204-6_L.3d_igs.zip](#)

English

Customer View Model

[ENG_CVM_CVM_6565204-6_L.3d_stp.zip](#)

English

By downloading the CAD file I accept and agree to the [Terms and Conditions](#) of use.

Product Specifications

Application Specification

Japanese