



RAYCHEM | RAYCHEM TXR

TE Internal #: 655175-000

Ruggedized, Backshell, .2 – 15.9 mm [.01 – .63 in] Cable Entry, Aluminum, Straight, 14 Shell Size, 10 Entry Size, RAYCHEM TXR

[View on TE.com >](#)

Connectors > Connector Accessories > Connector Backshells



Connector Backshell Product Style: **Ruggedized**

Connector Backshell Product Type: **Backshell**

Cable Entry Diameter: **.2 – 15.9 mm [.01 – .63 in]**

Primary Product Material: **Aluminum**

Body Orientation: **Straight**

### Features

#### Industry Standards

Connector Detail Specification Number	MS3126, MS3128, MS3121, MS3116, MS3120, MS3111, MS3110
---------------------------------------	--

#### Usage Conditions

Salt Spray Resistance	500 Hr
Operating Temperature Range	-65 – 175 °C[-85 – 347 °F]

#### Body Features

Primary Product Color	Olive Drab
Primary Product Material	Aluminum
Primary Product Plating Material	Cadmium (AMS-QQ-P-416, Type II, Class 3)

#### Dimensions

Product Length	30.4 mm[1.196 in]
Compatible Cable Diameter Range	7.9 – 12.7 mm[.313 – .5 in]
Cable Entry Diameter	.2 – 15.9 mm[.01 – .63 in]

#### Product Type Features

Termination Device Included	TR10BI
Connector Backshell Product Style	Ruggedized
Connector Backshell Product Type	Backshell
Termination Device Type	Tinel-Lock Adapter, Tinel-Lock Ring, Side-



Entry Tinel-Lock Ring

**Housing Features**

Body Orientation	Straight
Compatible With Connector Shape	Circular

**Operation/Application**

Compatible With Connector Shell Size	14
--------------------------------------	----

**Other**

Connector Interface Specification	MIL-DTL-26482 Series 1/Class E,F,J,P
TE Connector Interface Code	21
Entry Size Code	10
EU RoHS Compliance	Not Compliant
EU ELV Compliance	Not Compliant

**Product Compliance**

[For compliance documentation, visit the product page on TE.com>](#)

EU RoHS Directive 2011/65/EU	Not Compliant
EU ELV Directive 2000/53/EC	Not Compliant
China RoHS 2 Directive MIIT Order No 32, 2016	Restricted Materials Above Threshold
EU REACH Regulation (EC) No. 1907/2006	Current ECHA Candidate List: JUNE 2024 (241) Candidate List Declared Against: JAN 2020 (205) SVHC > Threshold: Pb (.3% in BODY & NUT) Cd (3% in BODY & NUT) <b>Article Safe Usage Statements:</b> Use personal protective equipment as required. Do not eat, drink or smoke when using this product. Wash thoroughly after handling. Recycle if possible and dispose of the article by following all applicable governmental regulations relevant to your geographic location.
Halogen Content	Low Halogen - Br, Cl, F, I < 900 ppm per homogenous material. Also BFR/CFR/PVC Free
Solder Process Capability	Not applicable for solder process capability

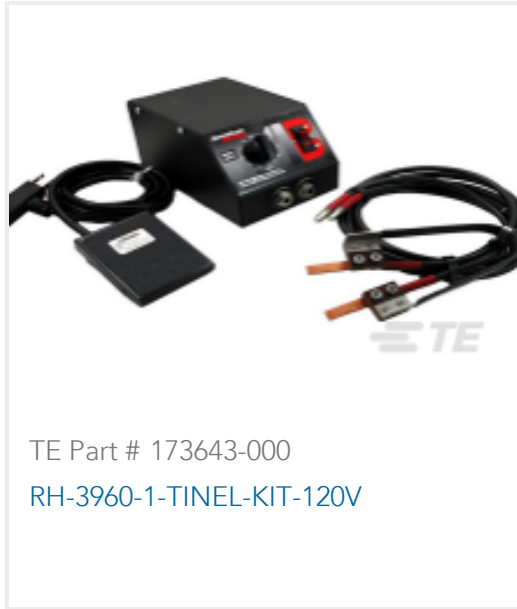
Product Compliance Disclaimer

This information is provided based on reasonable inquiry of our suppliers and represents our current actual knowledge based on the information they provided. This information is subject to change. The part numbers that TE has identified as EU RoHS compliant have a maximum concentration of 0.1% by weight in homogenous materials for lead, hexavalent chromium, mercury, PBB, PBDE, DBP, BBP, DEHP, DIBP, and 0.01% for cadmium, or qualify for an exemption to these limits as defined in the Annexes of Directive 2011/65/EU (RoHS2). Finished electrical and electronic equipment products will be CE marked as required by Directive 2011/65/EU. Components may not be CE marked. Additionally, the part numbers that TE has identified as EU ELV compliant have a maximum concentration of 0.1% by weight in homogenous



materials for lead, hexavalent chromium, and mercury, and 0.01% for cadmium, or qualify for an exemption to these limits as defined in the Annexes of Directive 2000/53/EC (ELV). Regarding the REACH Regulation, the information TE provides on SVHC in articles for this part number is based on the latest European Chemicals Agency (ECHA) 'Guidance on requirements for substances in articles' posted at this URL: <https://echa.europa.eu/guidance-documents/guidance-on-reach>

## Compatible Parts



TE Part # 173643-000  
RH-3960-1-TINEL-KIT-120V

## Also in the Series | RAYCHEM TXR



Circular Connector Backshells & Clamps(2044)



Connector Backshells(2044)



Ruggedized Backshells & Adapters (2044)

## Customers Also Bought



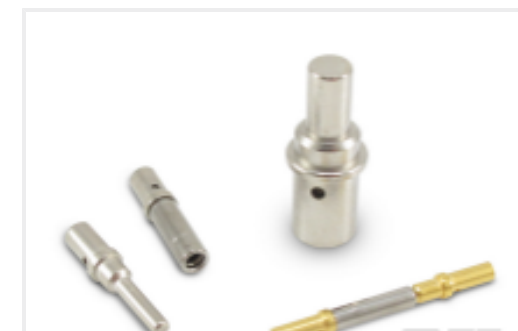
TE Part #DT04-2P  
REC, 2P, GRY, N



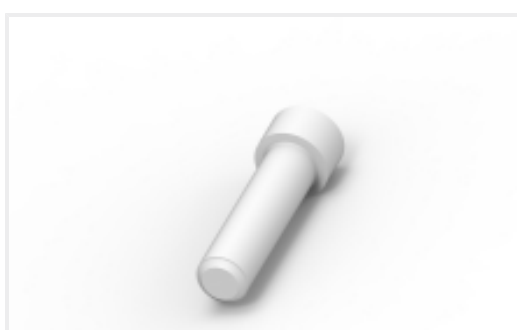
TE Part #DT06-2S  
PLG, 2P, GRY, N



TE Part #CAT-D487-W416  
Wedgelocks: DEUTSCH DT



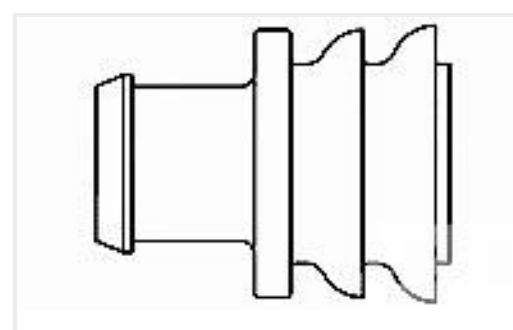
TE Part #CAT-D48-ST273  
DEUTSCH Solid Contacts



TE Part #114017-ZZ  
SEALING PLUG, SIZE 12/16, WHT



TE Part #CAT-AM71-CH8172  
AMP SUPERSEAL 1.5MM,  
CONNECTOR HOUSING



TE Part #281934-2  
SINGLE WIRE SEAL

## Documents

TXR21AB00-1410BI

Ruggedized, Backshell, .2 – 15.9 mm [.01 – .63 in] Cable Entry, Aluminum, Straight, 14  
Shell Size, 10 Entry Size, RAYCHEM TXR



[Product Drawings](#)

[TXR21AB00-1410BI](#)

English