



TMS-SCE

TE Internal #: 653820-000

Ladder, Military, 3:1, Blue, 1 Markers per Sleeve, 29.64 mm [1.16 in]

Length, 12.7 mm [.5 in] Expanded Inside, TMS-SCE, Printable

Tubing

[View on TE.com >](#)

Identification & Labeling > Printable Tubing > TMS-SCE Military Grade Sleeves



Printable Tubing Type: **Ladder**

Printable Tubing Grade: **Military**

Shrink Ratio: **3:1**

Primary Product Color: **Blue**

Markers per Sleeve: **1**

[All TMS-SCE Military Grade Sleeves \(147\)](#)

**Features**

**Printer/Label Features**

Printer Technology	Thermal Transfer
--------------------	------------------

**Product Type Features**

Printable Tubing Type	Ladder
Printable Tubing Grade	Military

**Body Features**

Shrink Ratio	3:1
Primary Product Color	Blue
Markers per Sleeve	1

**Dimensions**

Product Length	29.64 mm[1.16 in]
Expanded Inside Diameter (Min)	12.7 mm[.5 in]
Recovered Inside Diameter (Max)	4.22 mm[.166 in]
Compatible Cable Diameter Range	4.64 – 10.79 mm[.183 – .425 in]

**Usage Conditions**

Operating Temperature Range	-55 – 135 °C[-67 – 275 °F]
-----------------------------	----------------------------

**Other**

--	--



EU RoHS Compliance	Compliant
EU ELV Compliance	Compliant

### Product Compliance

[For compliance documentation, visit the product page on TE.com>](#)

EU RoHS Directive 2011/65/EU	Compliant
EU ELV Directive 2000/53/EC	Compliant
China RoHS 2 Directive MIIT Order No 32, 2016	No Restricted Materials Above Threshold
EU REACH Regulation (EC) No. 1907/2006	Current ECHA Candidate List: JUNE 2024 (241) Candidate List Declared Against: JUNE 2024 (241) Does not contain REACH SVHC
Halogen Content	Not Low Halogen - contains Br or Cl > 900 ppm.
Solder Process Capability	Not applicable for solder process capability

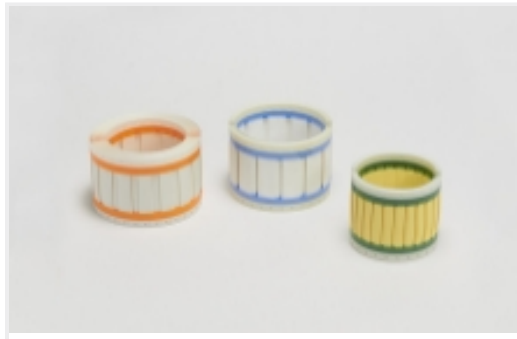
#### Product Compliance Disclaimer

This information is provided based on reasonable inquiry of our suppliers and represents our current actual knowledge based on the information they provided. This information is subject to change. The part numbers that TE has identified as EU RoHS compliant have a maximum concentration of 0.1% by weight in homogenous materials for lead, hexavalent chromium, mercury, PBB, PBDE, DBP, BBP, DEHP, DIBP, and 0.01% for cadmium, or qualify for an exemption to these limits as defined in the Annexes of Directive 2011/65/EU (RoHS2). Finished electrical and electronic equipment products will be CE marked as required by Directive 2011/65/EU. Components may not be CE marked. Additionally, the part numbers that TE has identified as EU ELV compliant have a maximum concentration of 0.1% by weight in homogenous materials for lead, hexavalent chromium, and mercury, and 0.01% for cadmium, or qualify for an exemption to these limits as defined in the Annexes of Directive 2000/53/EC (ELV). Regarding the REACH Regulation, the information TE provides on SVHC in articles for this part number is based on the latest European Chemicals Agency (ECHA) 'Guidance on requirements for substances in articles' posted at this URL: <https://echa.europa.eu/guidance-documents/guidance-on-reach>

### Compatible Parts

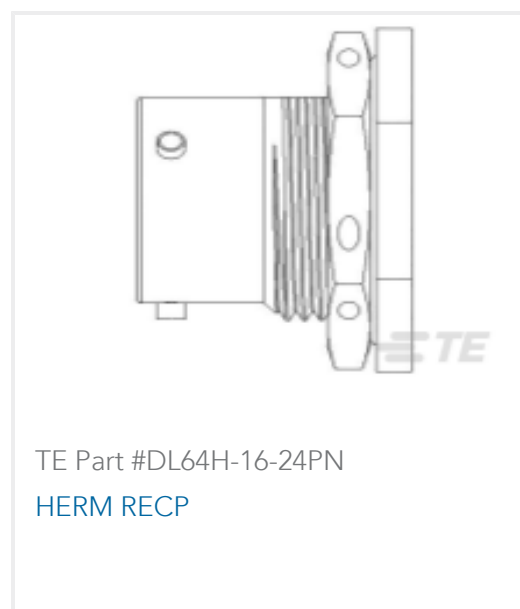
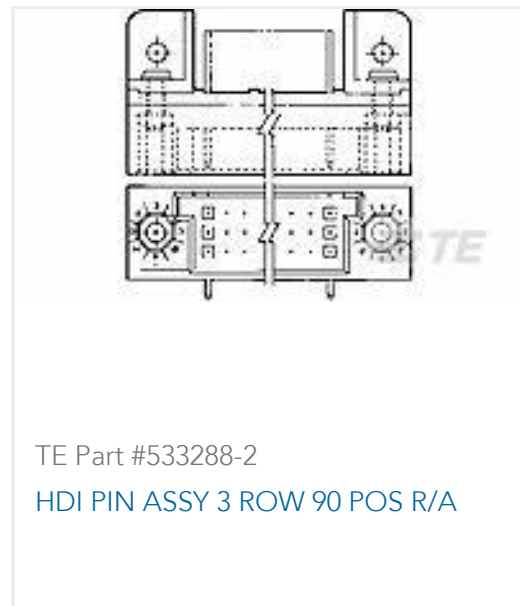


### Also in the Series | TMS-SCE



Printable Tubing(147)

## Customers Also Bought



## Documents

### Product Drawings

[TMS-SCE-1K-1/2-2.0-6](#)

English

### Datasheets & Catalog Pages

[TMS-SCE Heat Shrinkable Sleeves](#)

English

### Product Specifications

[Product Specification](#)

English

[IDENTIFICATION PRINTER PRODUCT RIBBON MATRIX](#)

English

### Instruction Sheets

[Instruction Sheet \(non U.S.\)](#)

English

TMS-SCE-1K-1/2-2.0-6

Ladder, Military, 3:1, Blue, 1 Markers per Sleeve, 29.64 mm [1.16 in] Length, 12.7 mm [.5 in] Expanded Inside, TMS-SCE, Printable Tubing

