

D-600-0116 ✓ ACTIVE

RAYCHEM

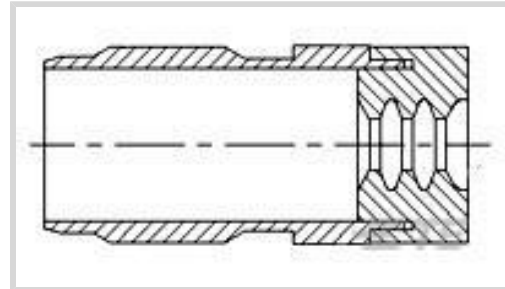
TE Internal #: 652543-000

Size 8 Contact Size, Shielded Contacts

[View on TE.com >](#)



Wire Protection & Management > Interconnect Devices > Shielded Contacts



Contact Size: **Size 8**

EU RoHS Compliance: **Compliant**

EU ELV Compliance: **Compliant**

Features

Industry Standards

Military Standard	DOD-C-83527
-------------------	-------------

Usage Conditions

Operating Temperature (Max)	150 °C
-----------------------------	--------

Contact Features

Contact Size	Size 8
--------------	--------

Other

EU RoHS Compliance	Compliant
--------------------	-----------

EU ELV Compliance	Compliant
-------------------	-----------

Product Compliance

[For compliance documentation, visit the product page on TE.com>](#)

EU RoHS Directive 2011/65/EU	Compliant
------------------------------	-----------

EU ELV Directive 2000/53/EC	Compliant
-----------------------------	-----------

China RoHS 2 Directive MIIT Order No 32, 2016	No Restricted Materials Above Threshold
---	---

EU REACH Regulation (EC) No. 1907/2006	Current ECHA Candidate List: JUNE 2024 (241) Candidate List Declared Against: JUNE 2024 (241) Does not contain REACH SVHC
--	---

Halogen Content	BFR/CFR/PVC Free, but Br/Cl >900 ppm in other sources.
-----------------	--

Solder Process Capability	Not applicable for solder process capability
---------------------------	--

Product Compliance Disclaimer

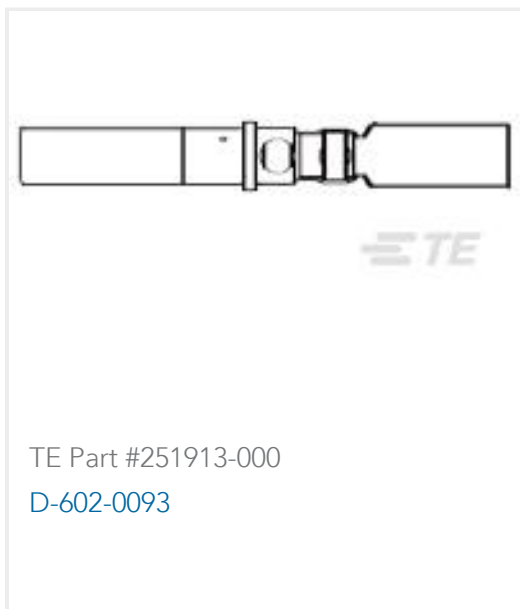
This information is provided based on reasonable inquiry of our suppliers and represents our current actual knowledge based on the information they provided. This information is subject to change. The part numbers that TE has identified as EU RoHS compliant have a maximum concentration of 0.1% by weight in homogenous materials for lead, hexavalent chromium, mercury, PBB, PBDE, DBP, BBP, DEHP, DIBP, and 0.01% for cadmium, or qualify for an exemption to these limits as defined in the Annexes of Directive 2011/65/EU (RoHS2). Finished electrical and electronic equipment products will be CE marked as required by Directive 2011/65/EU. Components may not be CE marked. Additionally, the part numbers that TE has identified as EU ELV compliant have a maximum concentration of 0.1% by weight in homogenous materials for lead, hexavalent chromium, and mercury, and 0.01% for cadmium, or qualify for an exemption to these limits as defined in the Annexes of Directive 2000/53/EC (ELV). Regarding the REACH Regulation, the information TE provides on SVHC in articles for this part number is based on the latest European Chemicals Agency (ECHA) 'Guidance on requirements for substances in articles' posted at this URL: <https://echa.europa.eu/guidance-documents/guidance-on-reach>

Compatible Parts



TE Part # EG8162-000
HL1920E-230V-EURO

Customers Also Bought



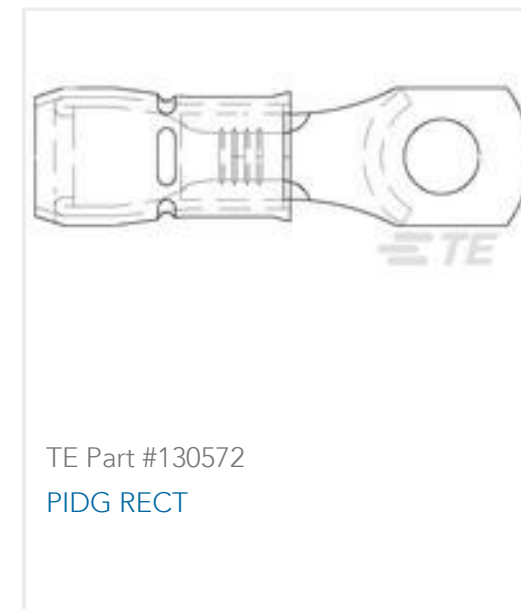
TE Part #251913-000
D-602-0093



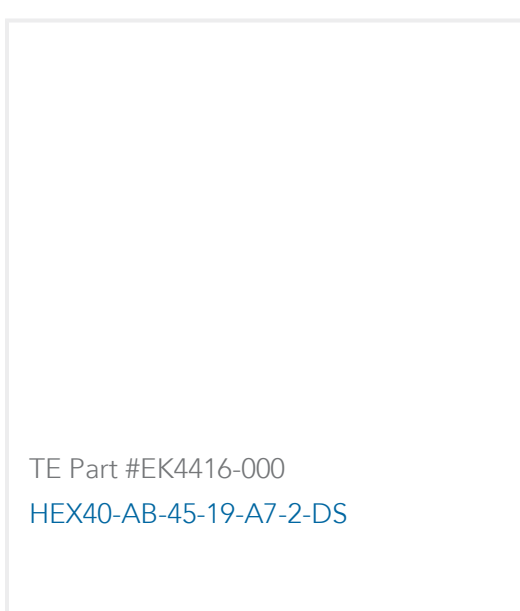
TE Part #912021-000
HEX54-AB-00-11-A2-1



TE Part #243035-000
HEX40-AB-90-17-A6-2-DS



TE Part #130572
PIDG RECT



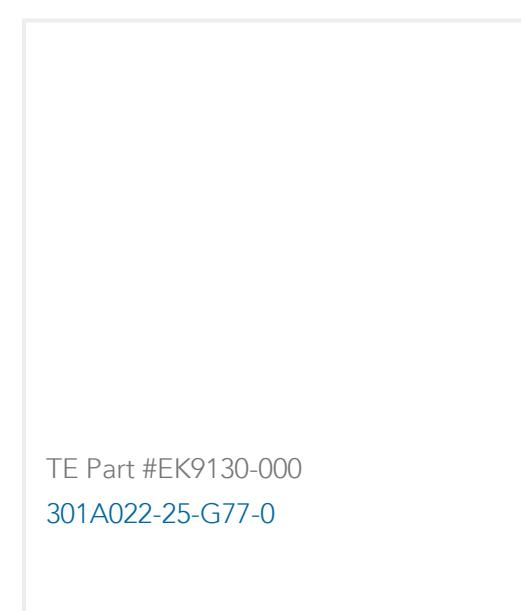
TE Part #EK4416-000
HEX40-AB-45-19-A7-2-DS



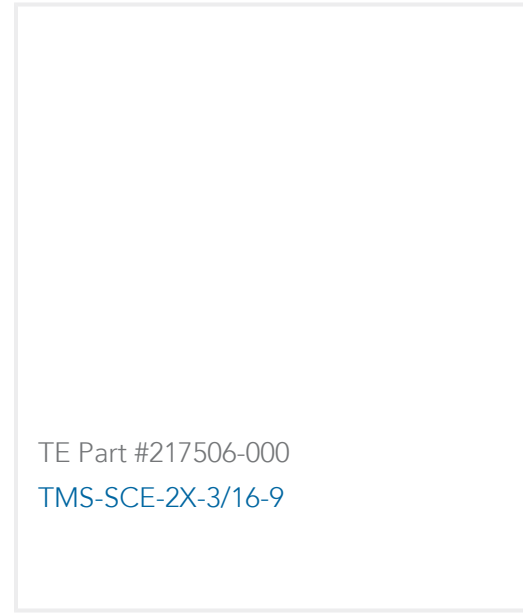
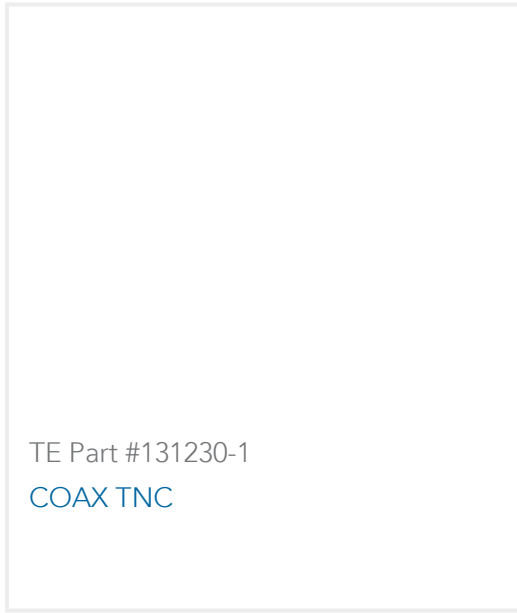
TE Part #F29502-000
HEX40-AB-45-11-A2-2



TE Part #EG7028-000
TXR40AB45-1812AI-CS-2131



TE Part #EK9130-000
301A022-25-G77-0



Documents

Product Drawings

[D-600-0116](#)

English

Datasheets & Catalog Pages

[1654025_Sec8_D-602](#)

English