



RAYCHEM | RAYCHEM NETM1000

TE Internal #: 6464574002

Heat Shrink Tubing, Black, Single Wall Tubing, Crosslinked Polyolefin, 8 mm [.315 in] Expanded Inside, Flame-Retardant, Spool, RAYCHEM NETM1000

[View on TE.com >](#)

Heat Shrink Tubing > NETM1000 Heat Shrink Tubing



Tubing Product Type: **Heat Shrink Tubing**

Primary Product Color: **Black**

Wall Type: **Single Wall**

Primary Product Material: **Crosslinked Polyolefin**

Expanded Inside Diameter (Min): **8 mm [.315 in]**

[All NETM1000 Heat Shrink Tubing \(10\)](#)

## Features

### Body Features

Fluid Type	Motor Oil, Diesel Fuel, Antifreeze, Brake Fluid, Unleaded Gasoline, Power Steering Fluid, (ATF) Automatic Transmission Fluid
Primary Product Color	Black
Primary Product Material	Crosslinked Polyolefin
Flexibility	Flexible

### Product Type Features

Tubing Product Type	Heat Shrink Tubing
Wall Type	Single Wall

### Dimensions

Expanded Inside Diameter (Min)	8 mm [.315 in]
--------------------------------	----------------

### Usage Conditions

Tubing Flammability Type	Flame-Retardant
Operating Temperature Range	-55 – 135 °C

### Packaging Features

Packaging Method	Spool
------------------	-------

### Operation/Application



Mechanical Resistance

Strain Relief, Fluids, Wrinkling

### Other

Meets Low Outgassing Requirements

No

Product Source

US

EU RoHS Compliance

Compliant

EU ELV Compliance

Compliant

## Product Compliance

[For compliance documentation, visit the product page on TE.com>](#)

EU RoHS Directive 2011/65/EU

Compliant

EU ELV Directive 2000/53/EC

Compliant

China RoHS 2 Directive MIIT Order No 32, 2016

No Restricted Materials Above Threshold

EU REACH Regulation (EC) No. 1907/2006

Current ECHA Candidate List: JUNE 2024 (241)  
Candidate List Declared Against: JUNE 2024 (241)  
Does not contain REACH SVHC

Halogen Content

Not Low Halogen - contains Br or Cl &gt; 900 ppm.

Solder Process Capability

Not applicable for solder process capability

#### Product Compliance Disclaimer

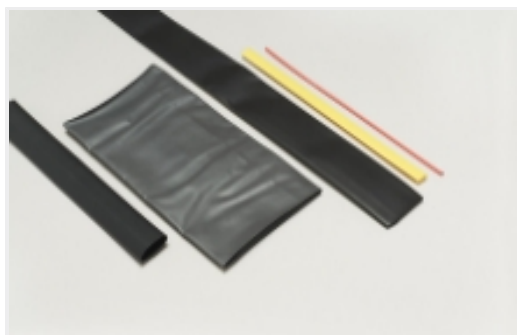
This information is provided based on reasonable inquiry of our suppliers and represents our current actual knowledge based on the information they provided. This information is subject to change. The part numbers that TE has identified as EU RoHS compliant have a maximum concentration of 0.1% by weight in homogenous materials for lead, hexavalent chromium, mercury, PBB, PBDE, DBP, BBP, DEHP, DIBP, and 0.01% for cadmium, or qualify for an exemption to these limits as defined in the Annexes of Directive 2011/65/EU (RoHS2). Finished electrical and electronic equipment products will be CE marked as required by Directive 2011/65/EU. Components may not be CE marked. Additionally, the part numbers that TE has identified as EU ELV compliant have a maximum concentration of 0.1% by weight in homogenous materials for lead, hexavalent chromium, and mercury, and 0.01% for cadmium, or qualify for an exemption to these limits as defined in the Annexes of Directive 2000/53/EC (ELV). Regarding the REACH Regulation, the information TE provides on SVHC in articles for this part number is based on the latest European Chemicals Agency (ECHA) 'Guidance on requirements for substances in articles' posted at this URL: <https://echa.europa.eu/guidance-documents/guidance-on-reach>

## Compatible Parts



TE Part # EG1114-000  
CV1981-ST-230V1600W-EU

### Also in the Series | RAYCHEM NETM1000



Heat Shrink Tubing(10)

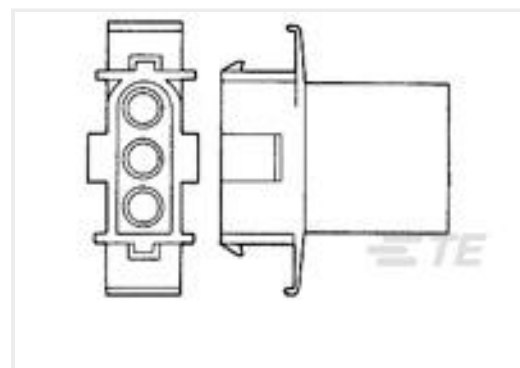


Single Wall Tubing(10)

### Customers Also Bought



TE Part #DT06-08SA-E008  
PLG, 8P, GRY, N, XCAP, A



TE Part #1-350347-0  
03P .140 MNL CAP PM NAT



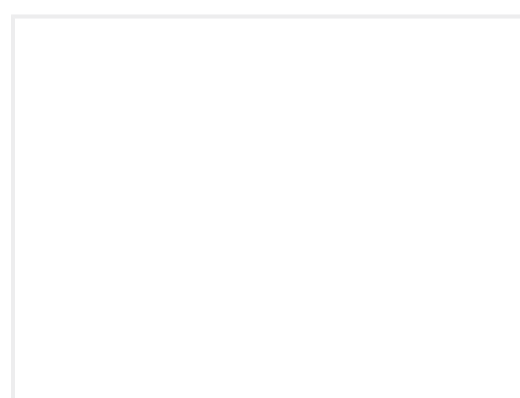
TE Part #CAT-H396-CH8172  
DEUTSCH HDP20 Housings



TE Part #T4013019041-000  
M8,SCREW, MALE,R/A,SHIELD,4P,  
GOLD



TE Part #CAT-T4827-CH8172  
Timer Connector Housing



TE Part #0428-204-2490  
ADAPTER

### Documents

#### Product Drawings

[NETM1000-8-0-SP](#)

English

#### Datasheets & Catalog Pages

[Measuring\\_Single\\_Wall\\_Tubing](#)

English



[Selecting\\_Correct\\_Tubing\\_1216](#)

English

[NETM Pages from 1654296-3](#)

English

---

[Product Specifications](#)

[Application Specification](#)

English