



Connectors > Connector Accessories > Connector Caps & Covers > Polyester PCB Connector Covers: 2.54mm, MTA 100



Connector Cover Type: **Strain Relief Cover**

Primary Product Color: **Natural**

Primary Product Material: **Polyester**

Number of Positions: **8**

Operating Temperature (Max): **85 °C [ 185 °F ]**

[All Polyester PCB Connector Covers: 2.54mm, MTA 100 \(29\)](#)

## Features

### Industry Standards

UL Flammability Rating	UL 94V-0
------------------------	----------

### Mechanical Attachment

Strain Relief	With
---------------	------

### Housing Features

Centerline (Pitch)	2.54 mm[.1 in]
--------------------	----------------

### Usage Conditions

Compatible With IDC Installation Type Connector	Feed Thru
Operating Temperature (Max)	85 °C[185 °F]
Operating Temperature Range	-40 – 85 °C[-40 – 185 °F]

### Product Type Features

Product Profile	Standard
Connector Cover Type	Strain Relief Cover

### Body Features



Primary Product Color	Natural
Primary Product Material	Polyester

### Configuration Features

Number of Positions	8
---------------------	---

### Other

EU RoHS Compliance	Compliant
EU ELV Compliance	Compliant

### Product Compliance

[For compliance documentation, visit the product page on TE.com>](#)

EU RoHS Directive 2011/65/EU	Compliant
EU ELV Directive 2000/53/EC	Compliant
China RoHS 2 Directive MIIT Order No 32, 2016	No Restricted Materials Above Threshold
EU REACH Regulation (EC) No. 1907/2006	Current ECHA Candidate List: JUNE 2024 (241) Candidate List Declared Against: JUNE 2024 (241) Does not contain REACH SVHC
Halogen Content	Not Low Halogen - contains Br or Cl > 900 ppm.
Solder Process Capability	Not applicable for solder process capability

#### Product Compliance Disclaimer

This information is provided based on reasonable inquiry of our suppliers and represents our current actual knowledge based on the information they provided. This information is subject to change. The part numbers that TE has identified as EU RoHS compliant have a maximum concentration of 0.1% by weight in homogenous materials for lead, hexavalent chromium, mercury, PBB, PBDE, DBP, BBP, DEHP, DIBP, and 0.01% for cadmium, or qualify for an exemption to these limits as defined in the Annexes of Directive 2011/65/EU (RoHS2). Finished electrical and electronic equipment products will be CE marked as required by Directive 2011/65/EU. Components may not be CE marked. Additionally, the part numbers that TE has identified as EU ELV compliant have a maximum concentration of 0.1% by weight in homogenous materials for lead, hexavalent chromium, and mercury, and 0.01% for cadmium, or qualify for an exemption to these limits as defined in the Annexes of Directive 2000/53/EC (ELV). Regarding the REACH Regulation, the information TE provides on SVHC in articles for this part number is based on the latest European Chemicals Agency (ECHA) 'Guidance on requirements for substances in articles' posted at this URL: <https://echa.europa.eu/guidance-documents/guidance-on-reach>

### Compatible Parts



TE Part # 640455-8  
08P MTA100 HDR ASSY SQ R/A POL



TE Part # CAT-104MTA-NTPMR  
Nylon Tin Plated Receptacle: 2.54 mm,  
with Mating Alignment, MTA 100



TE Part # CAT-104MTA-NGPMP  
Nylon Gold Plated Receptacle: 2.54  
mm, with Mating Alignment, MTA 100



TE Part # CAT-104MTA-NTPNR  
MTA Receptacle: Nylon, Tin Plated,  
2.54 mm



TE Part # CAT-104MTA-PRSMH  
PCB Header, Right Angle, Polyester,  
2.54 mm



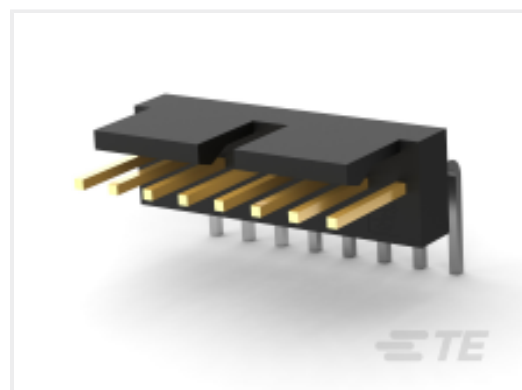
TE Part # CAT-104MTA-PLSCC  
Polyester PCB Connector Covers: 2.54  
mm, MTA 100



TE Part # CAT-104MTA-PRUSH  
PCB Header: Polyester, Right Angle,  
Unshrouded



TE Part # CAT-104MTA-PVBRH  
Polyester Vertical PCB Header: 2.54  
mm, Breakaway, MTA 100



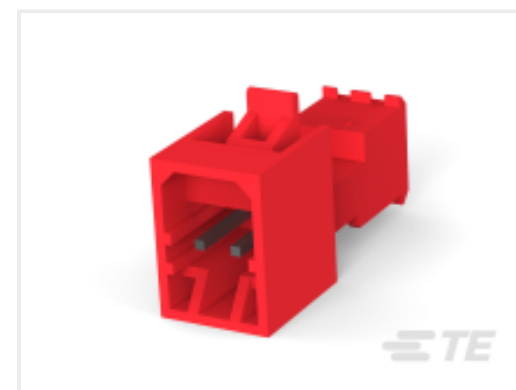
TE Part # 3-647079-8  
08P MTA100 HDR FLRAFB 15AU LF



TE Part # CAT-104MTA-PVSHH  
Polyester Vertical PCB Header: 2.54  
mm, Shrouded, MTA 100



TE Part # 1375820-8  
CST-100 II HOUSING 8 POS



TE Part # CAT-104MTA-NTPMP  
MTA Plug: Nylon, Tin Plated, 2.54 mm,  
with Mating Alignment



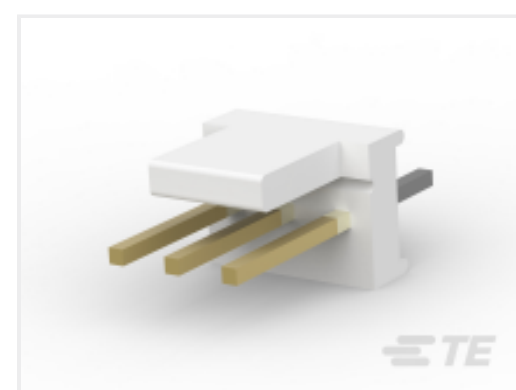
TE Part # CAT-104MTA-NVSMH  
PCB Header: Nylon, Vertical, Surface  
Mount, MTA 100



TE Part # CAT-104MTA-NGPMP  
Nylon Gold Plated Plug: 2.54 mm, with  
Mating Alignment, MTA 100



TE Part # 3-644892-8  
08P CST100 SHRD HDR ASSY LF



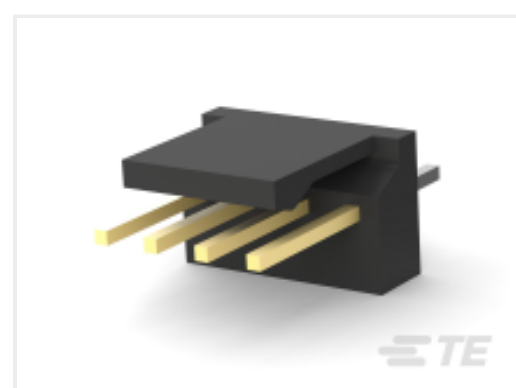
TE Part # CAT-104MTA-PVUMH  
PCB Header: Polyester, Vertical, 2.54  
mm



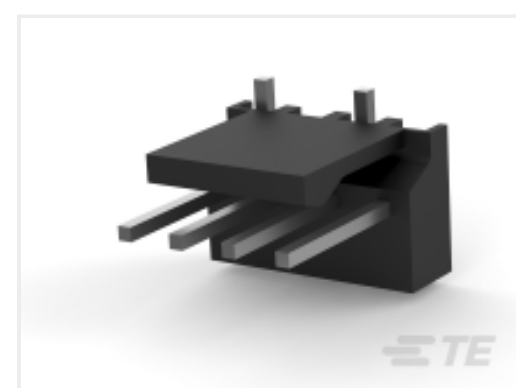
TE Part # 3-644896-8  
08P CST100 SHRD HDR ASSY LF



TE Part # CAT-104MTA-PVUNH  
PCB Header: Polyester, Vertical,  
Unshrouded, No Mating Alignment



TE Part # CAT-104MTA-NVTHH  
Nylong Vertical PCB Header: 2.54mm,  
Through Hole, MTA 100

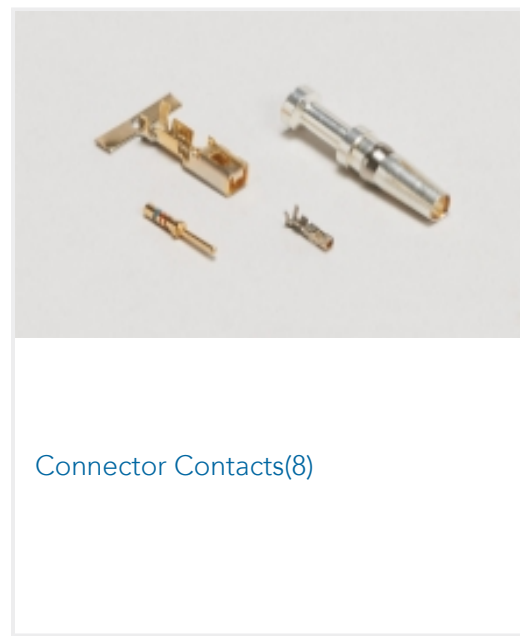


TE Part # 1744382-8  
08P MTA100 HDR ASSY,SM,SN, LF

Also in the Series | [MTA 100](#)



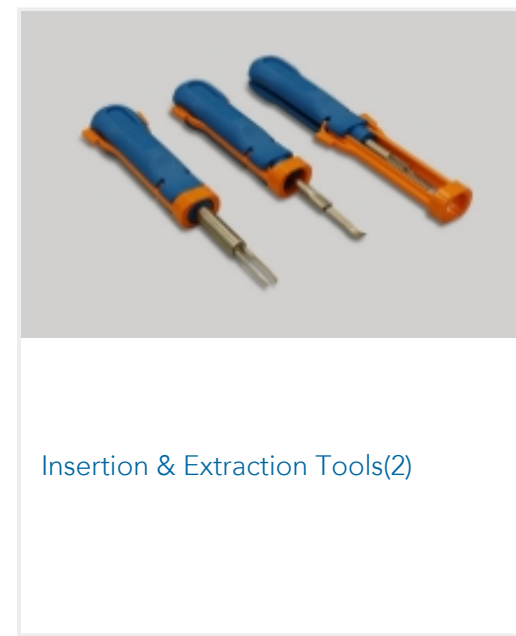
Connector Caps & Covers(69)



Connector Contacts(8)



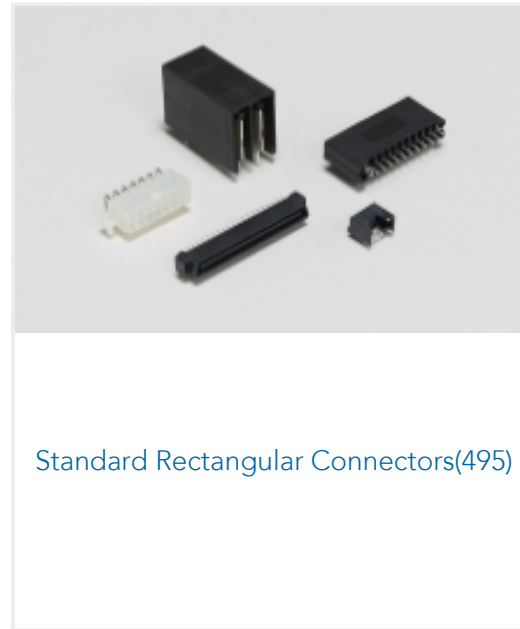
Connector Hardware(1)



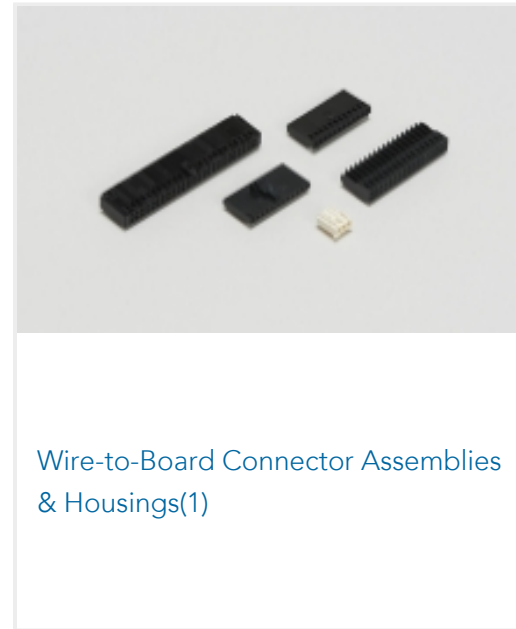
Insertion & Extraction Tools(2)



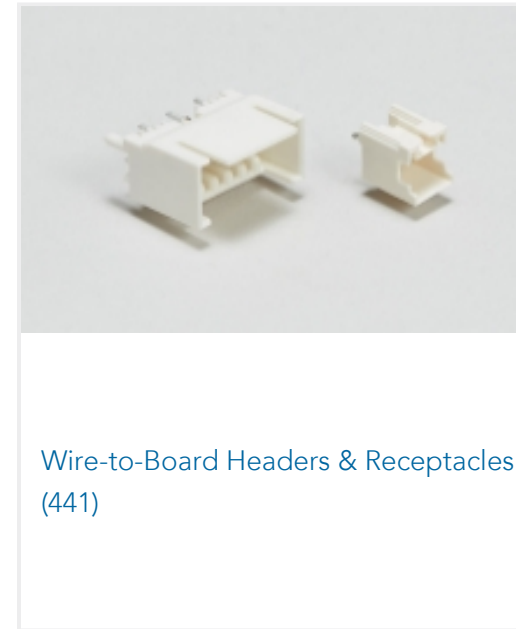
PCB Headers & Receptacles(441)



Standard Rectangular Connectors(495)



Wire-to-Board Connector Assemblies & Housings(1)



Wire-to-Board Headers & Receptacles (441)

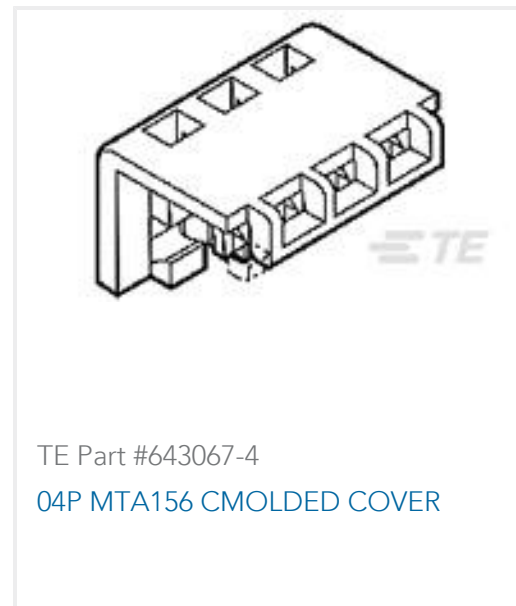
## Customers Also Bought



TE Part #1-794613-0  
PIN CONT 26-30 TIN PLATE L/P



TE Part #3-643818-3  
03P MTA156 CONN ASSY 20AWG YEL



TE Part #643067-4  
04P MTA156 CMOLDED COVER



TE Part #794616-6  
FREE HANG DBL ROW HSG 6 POS



TE Part #2822343-1  
MINI MLC PLUG HSG ASSY 7P



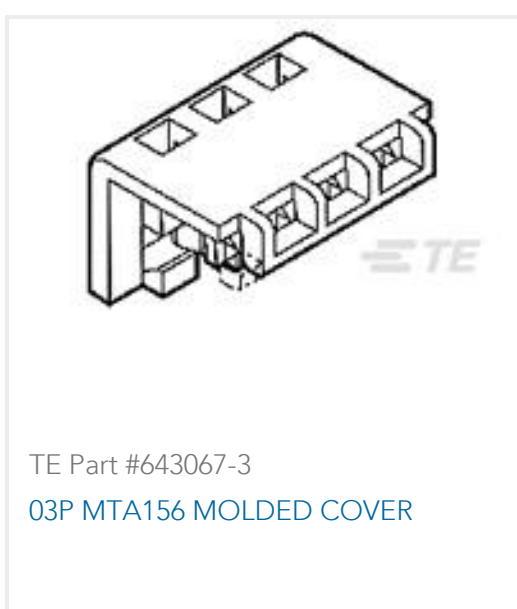
TE Part #1-1393194-5  
T77S1D3-12



TE Part #1-794611-1  
MICRO MNL RPT CNT,LS PC,15AU,L



TE Part #3-647000-8  
08P MTA100 PSTD CONN ASSY LF



TE Part #643067-3  
03P MTA156 MOLDED COVER



TE Part #3-643818-4  
04P MTA156 CONN ASSY 20AWG YEL

## Documents



### Product Drawings

#### 08P MTA100 COVER F/T

English

---

### CAD Files

#### 3D PDF

3D

#### Customer View Model

[ENG\\_CVM\\_CVM\\_640642-8\\_J.2d\\_dxf.zip](#)

English

#### Customer View Model

[ENG\\_CVM\\_CVM\\_640642-8\\_J.3d\\_igs.zip](#)

English

#### Customer View Model

[ENG\\_CVM\\_CVM\\_640642-8\\_J.3d\\_stp.zip](#)

English

#### 3D PDF

English

#### Customer View Model

[ENG\\_CVM\\_640642-8\\_P.3d\\_igs.zip](#)

English

#### Customer View Model

[ENG\\_CVM\\_640642-8\\_P.3d\\_stp.zip](#)

English

#### Customer View Model

[ENG\\_CVM\\_640642-8\\_P.2d\\_dxf.zip](#)

English

By downloading the CAD file I accept and agree to the [Terms and Conditions](#) of use.

---

### Product Specifications

#### Application Specification

English