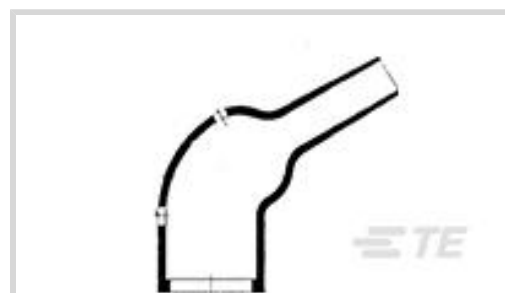




Wire Protection & Management > Heat Shrink Shapes > Heat Shrink Boots > Heat Shrink Boots: Poly Mold, Lipped



Body Orientation: 120°

Molded Part Shape Code: 264

Lipped: Yes

Material Code: 25

Material Systems Code: 25

[All Heat Shrink Boots: Poly Mold, Lipped \(54\)](#)

## Features

### Industry Standards

|   |                           |
|---|---------------------------|
| Compatible With Approved Standards Products | VG95343 Parts 6,7,8 and 9 |
|---|---------------------------|

### Dimensions

|                                 |                             |
|---------------------------------|-----------------------------|
| Expanded Inside Diameter (Min)  | 36 mm[1.42 in]              |
| Compatible Cable Diameter Range | 21.4 – 36 mm[.84 – 1.42 in] |

### Body Features

|                          |                                    |
|--------------------------|------------------------------------|
| Primary Product Material | Fluid Resistant Modified Elastomer |
| Material Code            | 25                                 |
| Material Systems Code    | 25                                 |

### Configuration Features

|                      |                               |
|----------------------|-------------------------------|
| Lipped               | Yes                           |
| Adhesive Requirement | Adhesive Purchased Separately |

### Housing Features

|                  |      |
|------------------|------|
| Body Orientation | 120° |
|------------------|------|

### Usage Conditions

|                             |                                  |
|-----------------------------|----------------------------------|
| Operating Temperature Range | -75 – 150 °C[-103 – 302 °F]      |
| Resistance Protection       | Long-Term Fluid Exposure at High |



Temperatures

Other

|                        |           |
|------------------------|-----------|
| Molded Part Shape Code | 264       |
| EU RoHS Compliance     | Compliant |
| EU ELV Compliance      | Compliant |

Product Compliance

[For compliance documentation, visit the product page on TE.com>](#)

|   |   |
|---|---|
| EU RoHS Directive 2011/65/EU                  | Compliant   |
| EU ELV Directive 2000/53/EC                   | Compliant   |
| China RoHS 2 Directive MIIT Order No 32, 2016 | No Restricted Materials Above Threshold   |
| EU REACH Regulation (EC) No. 1907/2006        | Current ECHA Candidate List: JUNE 2024 (241)<br>Candidate List Declared Against: JUNE 2024 (241)<br>Does not contain REACH SVHC |
| Halogen Content                               | Not Low Halogen - contains Br or Cl > 900 ppm.  |
| Solder Process Capability                     | Not applicable for solder process capability  |

Product Compliance Disclaimer

This information is provided based on reasonable inquiry of our suppliers and represents our current actual knowledge based on the information they provided. This information is subject to change. The part numbers that TE has identified as EU RoHS compliant have a maximum concentration of 0.1% by weight in homogenous materials for lead, hexavalent chromium, mercury, PBB, PBDE, DBP, BBP, DEHP, DIBP, and 0.01% for cadmium, or qualify for an exemption to these limits as defined in the Annexes of Directive 2011/65/EU (RoHS2). Finished electrical and electronic equipment products will be CE marked as required by Directive 2011/65/EU. Components may not be CE marked. Additionally, the part numbers that TE has identified as EU ELV compliant have a maximum concentration of 0.1% by weight in homogenous materials for lead, hexavalent chromium, and mercury, and 0.01% for cadmium, or qualify for an exemption to these limits as defined in the Annexes of Directive 2000/53/EC (ELV). Regarding the REACH Regulation, the information TE provides on SVHC in articles for this part number is based on the latest European Chemicals Agency (ECHA) 'Guidance on requirements for substances in articles' posted at this URL: <https://echa.europa.eu/guidance-documents/guidance-on-reach>

Compatible Parts

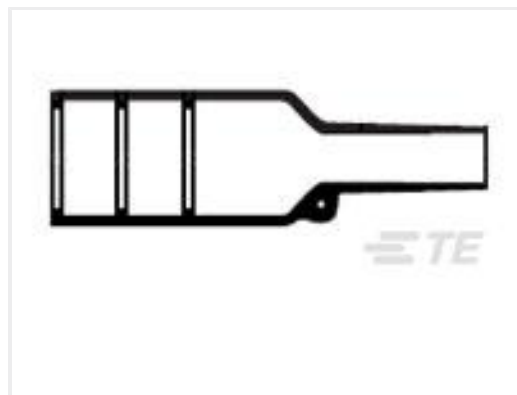


TE Part # 657863-000  
S1125-KIT-8

### Customers Also Bought



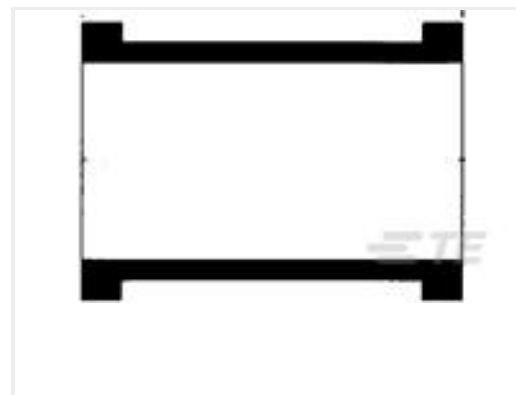
TE Part #ZPF0000000000001263  
097-0267-20



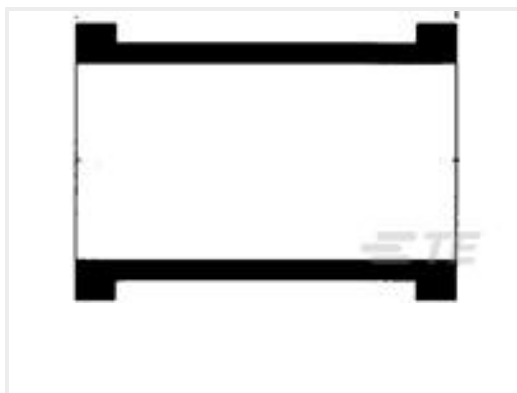
TE Part #878505-000  
202K163-25-01-0



TE Part #CAT-R21-731055422  
Heat Shrink Boots: Poly Mold, Lipped



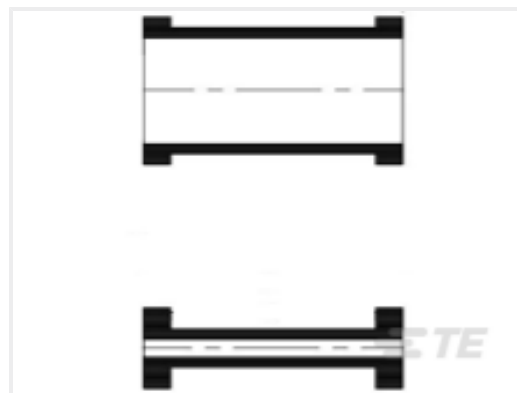
TE Part #395415-000  
202W331-25-0



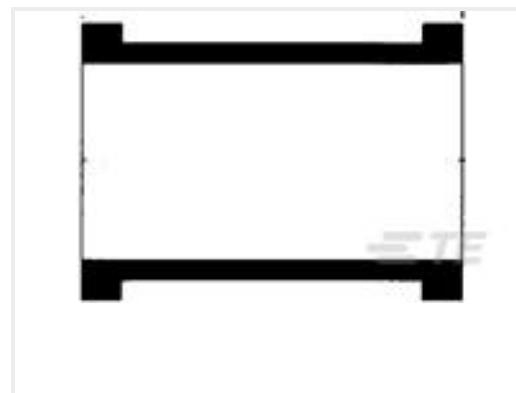
TE Part #861780-000  
202W312-25-0



TE Part #ZPF0000000000001237  
097-0179-16



TE Part #026831-000  
202W302-25-0



TE Part #307569-000  
202W302-12-0

### Documents

#### Product Drawings

[264W012-25-0](#)

English

#### CAD Files

Customer View Model

[ENG\\_CVM\\_CVM\\_639198-000\\_A.3d\\_igs.zip](#)

English

#### 3D PDF

3D

Customer View Model

[ENG\\_CVM\\_CVM\\_639198-000\\_A.2d\\_dxf.zip](#)

English

Customer View Model

[ENG\\_CVM\\_CVM\\_639198-000\\_A.3d\\_stp.zip](#)

English

By downloading the CAD file I accept and agree to the [Terms and Conditions](#) of use.



[Datasheets & Catalog Pages](#)

[1654025\\_Sec4\\_-25](#)

English

[Raychem Molded Parts Visual Guide](#)

English