

63864-1 ✓ ACTIVE

AMPLIVAR

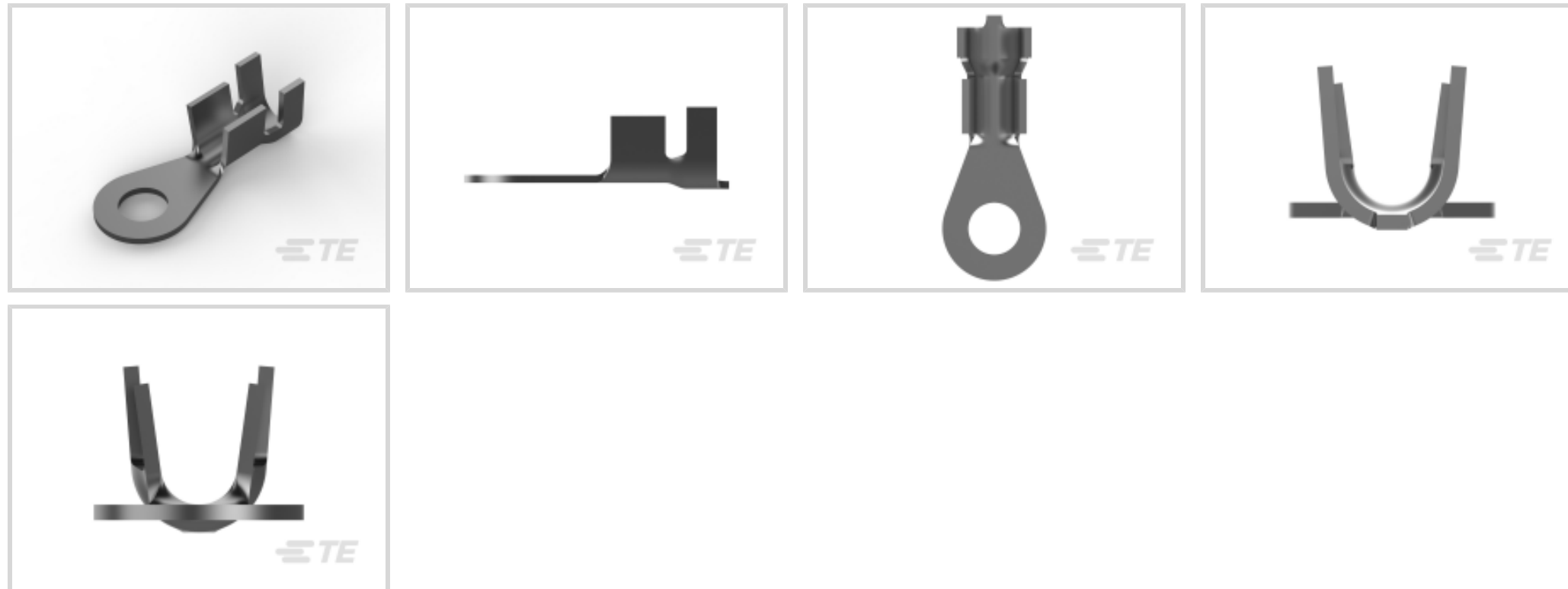
TE Internal #: 63864-1

Closed Ring Tongue Terminal, 12 – 10 AWG, #8 / M4 Stud, 4.34 mm [.171 in] Stud Diameter, Open Barrel, Straight, Tin Plating, Uninsulated, AMPLIVAR

[View on TE.com >](#)



Terminals & Splices > Ring Terminals



Ring Terminal Product Type: Closed Ring Tongue Terminal

Wire Size: 6529 – 10384 CMA

Stud Size: #8, M4

Features

Configuration Features

Number of Holes	1
-----------------	---

Mechanical Attachment

Wire Insulation Support	With
-------------------------	------

Industry Standards

Government Qualified Terminal	No
-------------------------------	----

Packaging Features

Packaging Quantity	6000
Packaging Method	Reel

Product Type Features

Shape Description	RING-112
Ring Terminal Product Type	Closed Ring Tongue Terminal
Stud Size	#8, M4
Sealable	No
Compatible With Discrete Wire Type	Magnet Wire
Wire Insulation Support Retention Type	Insulation Support



Contact Features

Barrel Type	Open
Terminal Orientation	Straight
Terminal Plating Material	Tin
Contact Underplating Material	Brass

Dimensions

Wire Size	6529 – 10384 CMA
Stud Diameter	4.34 mm [.171 in]
Tongue Thickness	.64 mm [.025 in]
Product Length	21 mm [.827 in]
Barrel Inside Diameter	4.31 mm, 3.18 mm [.125 in] [.17 in]
Compatible Insulation Diameter (Max)	4.83 mm [.19 in]
Compatible Insulation Diameter Range	3.81 – 4.83 mm [.15 – .19 in]

Usage Conditions

Insulation Option	Uninsulated
Operating Temperature Range	-40 – 105 °C [-40 – 221 °F]

Operation/Application

Compatible With Wire Base Material	Aluminum, Copper
------------------------------------	------------------

Other

EU RoHS Compliance	Compliant
EU ELV Compliance	Compliant

Product Compliance

[For compliance documentation, visit the product page on TE.com>](#)

EU RoHS Directive 2011/65/EU	Compliant
EU ELV Directive 2000/53/EC	Compliant
China RoHS 2 Directive MIIT Order No 32, 2016	No Restricted Materials Above Threshold
EU REACH Regulation (EC) No. 1907/2006	Current ECHA Candidate List: JUNE 2024 (241) Candidate List Declared Against: JUNE 2024 (241) Does not contain REACH SVHC
Halogen Content	Low Halogen - Br, Cl, F, I < 900 ppm per homogenous material. Also BFR/CFR/PVC

Free

Solder Process Capability

Not applicable for solder process capability

Product Compliance Disclaimer

This information is provided based on reasonable inquiry of our suppliers and represents our current actual knowledge based on the information they provided. This information is subject to change. The part numbers that TE has identified as EU RoHS compliant have a maximum concentration of 0.1% by weight in homogenous materials for lead, hexavalent chromium, mercury, PBB, PBDE, DBP, BBP, DEHP, DIBP, and 0.01% for cadmium, or qualify for an exemption to these limits as defined in the Annexes of Directive 2011/65/EU (RoHS2). Finished electrical and electronic equipment products will be CE marked as required by Directive 2011/65/EU. Components may not be CE marked. Additionally, the part numbers that TE has identified as EU ELV compliant have a maximum concentration of 0.1% by weight in homogenous materials for lead, hexavalent chromium, and mercury, and 0.01% for cadmium, or qualify for an exemption to these limits as defined in the Annexes of Directive 2000/53/EC (ELV). Regarding the REACH Regulation, the information TE provides on SVHC in articles for this part number is based on the latest European Chemicals Agency (ECHA) 'Guidance on requirements for substances in articles' posted at this URL: <https://echa.europa.eu/guidance-documents/guidance-on-reach>

Compatible Parts



TE Part # 60321-2
AMPLIVAR RG 23-19 8 TPBR



TE Part # 63649-1
RING AMVAR 22-18 025TPBR



TE Part # 62835-1
RING AMVAR 22-18 025 TPBR



TE Part # 7-2150868-7
OCEAN_2.0_SPARE_PART_KIT-180F220F



TE Part # 505036-1
AMVAR R 2 14.5MAG PTPBR



TE Part # 2150868-2
OCEAN_2.0_APPLICATOR-E-180F220F-SEA



TE Part # 63612-1
RING AMVAR 22-18 025TPBR

Also in the Series | AMPLIVAR



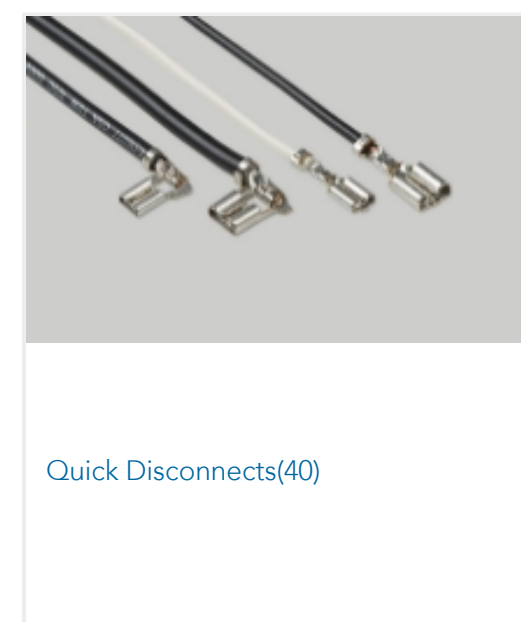
Crimp Wire Pins, Tabs & Ferrules(4)



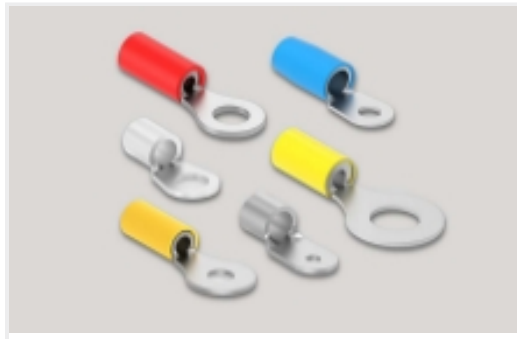
Magnet Wire Terminals(4)



PCB Terminals(1)



Quick Disconnects(40)



Ring Terminals(28)



Splices(71)

Customers Also Bought



TE Part #2-325034-1
[TERMINAL,PIDG R 16-14 1/4](#)



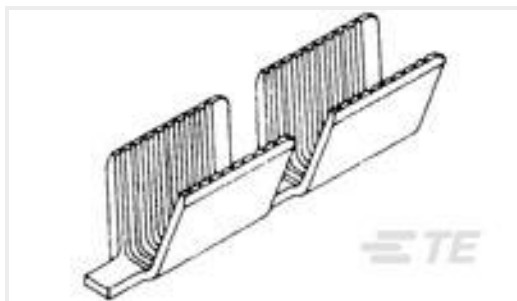
TE Part #40702
[RING 20-14 AWG BR](#)



TE Part #52041
[TERMINAL,R PG 8 8](#)



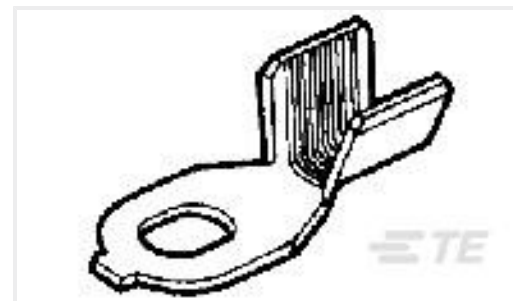
TE Part #60319-2
[AMPLIVAR RG 23-19 10 TPBR](#)



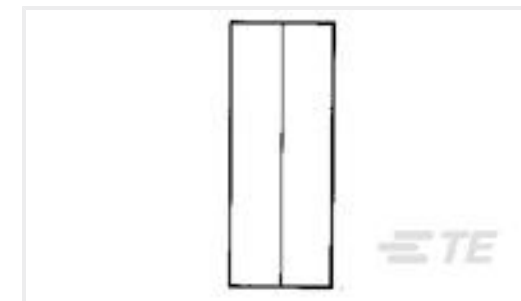
TE Part #62310-2
[AMVAR SPLC 7000-13000 025TPBR](#)



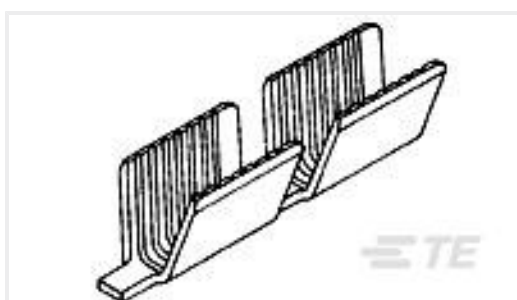
TE Part #61793-1
[RING 18-14 AWG TPST](#)



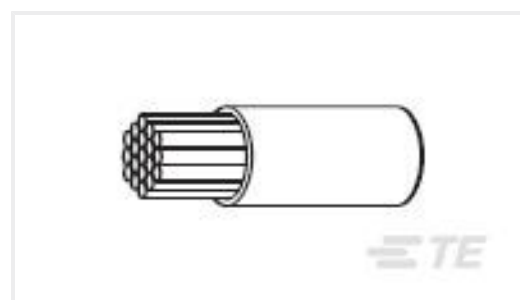
TE Part #63147-1
[AMVAR RING 13 1/2-17 020BR](#)



TE Part #34319
[SPLICE,SOLIS PARA 6](#)



TE Part #62001-1
[SPLICE AMVAR 3000-7000 020BR](#)



TE Part #169965-000
[FLHTC0311-14-1](#)

Documents

Product Drawings

[RING AMVAR IS 2\(13\) 025TPBR](#)

English

CAD Files

[3D PDF](#)

[3D](#)

[Customer View Model](#)

[ENG_CVM_CVM_63864-1_B.2d_dxf.zip](#)



English

Customer View Model

[ENG_CVM_CVM_63864-1_B.3d_igs.zip](#)

English

Customer View Model

[ENG_CVM_CVM_63864-1_B.3d_stp.zip](#)

English

By downloading the CAD file I accept and agree to the [Terms and Conditions](#) of use.

Product Specifications

[Application Specification](#)

English