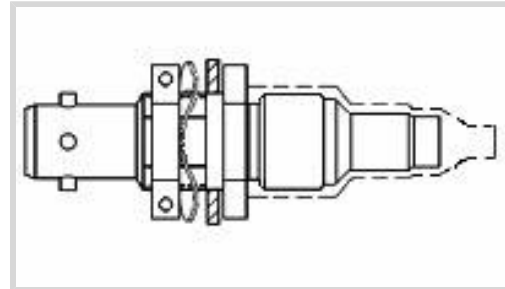




Cable Assemblies > Data Bus Components > Data Bus Connectors



Data Bus Connector Type: **Jack**

Data Bus Connector Style: **Bayonet**

Polarization Code: **A**

Contact Type: **Pin**

### Features

#### Product Type Features

Data Bus Connector Type	Jack
Data Bus Connector Style	Bayonet

#### Contact Features

Contact Type	Pin
--------------	-----

#### Termination Features

Termination Method to Wire & Cable	Solder
------------------------------------	--------

#### Mechanical Attachment

Polarization Code	A
-------------------	---

#### Usage Conditions

Operating Temperature (Max)	125 °C[257 °F]
-----------------------------	----------------

### Product Compliance

[For compliance documentation, visit the product page on TE.com>](#)

EU RoHS Directive 2011/65/EU	Not Compliant
EU ELV Directive 2000/53/EC	Not Compliant
China RoHS 2 Directive MIIT Order No 32, 2016	有害物质含量超出标准 Restricted Substance(s) Above Threshold
EU REACH Regulation (EC) No. 1907/2006	Current ECHA Candidate List: JUNE 2025 (250) Candidate List Declared Against: JUNE 2025 (250) SVHC > Threshold:

Pb (37% in component)

**Article Safe Usage Statements:**

Do not eat, drink or smoke when using this product. Wash thoroughly after handling. Recycle if possible and dispose of the article by following all applicable governmental regulations relevant to your geographic location.

Halogen Content

BFR/CFR/PVC Free, but Br/Cl >900 ppm in other sources.

Solder Process Capability

Not applicable for solder process capability

**Product Compliance Disclaimer**

This information is provided based on reasonable inquiry of our suppliers and represents our current actual knowledge based on the information they provided. This information is subject to change. The part numbers that TE has identified as EU RoHS compliant have a maximum concentration of 0.1% by weight in homogenous materials for lead, hexavalent chromium, mercury, PBB, PBDE, DBP, BBP, DEHP, DIBP, and 0.01% for cadmium, or qualify for an exemption to these limits as defined in the Annexes of Directive 2011/65/EU (RoHS2). Finished electrical and electronic equipment products will be CE marked as required by Directive 2011/65/EU. Components may not be CE marked. Additionally, the part numbers that TE has identified as EU ELV compliant have a maximum concentration of 0.1% by weight in homogenous materials for lead, hexavalent chromium, and mercury, and 0.01% for cadmium, or qualify for an exemption to these limits as defined in the Annexes of Directive 2000/53/EC (ELV). Regarding the REACH Regulation, the information TE provides on SVHC in articles for this part number is based on the latest European Chemicals Agency (ECHA) 'Guidance on requirements for substances in articles' posted at this URL: <https://echa.europa.eu/guidance-documents/guidance-on-reach>

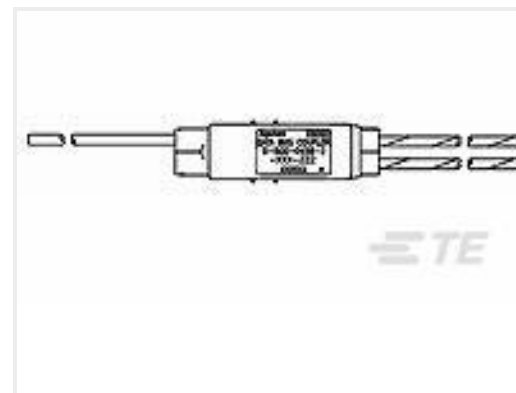
## Compatible Parts



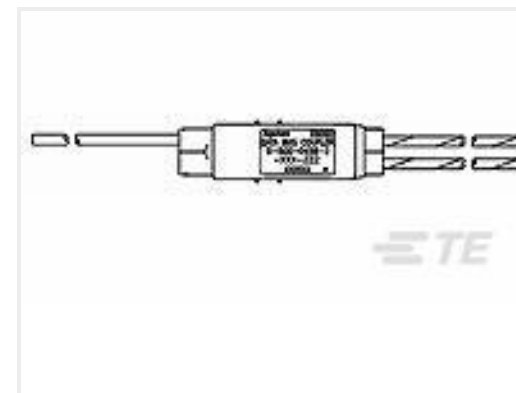
TE Part # EM3613-000  
D-500-L457-2-612-240



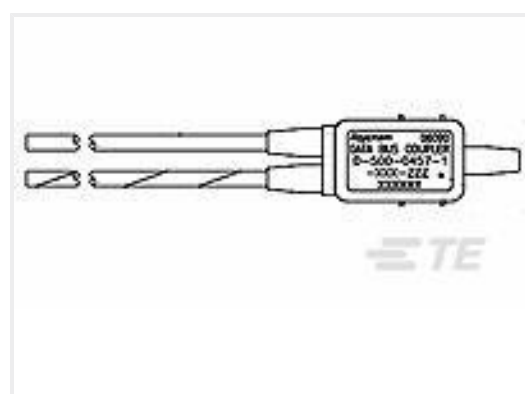
TE Part # 151846-000  
D-500-L455-2-612-078



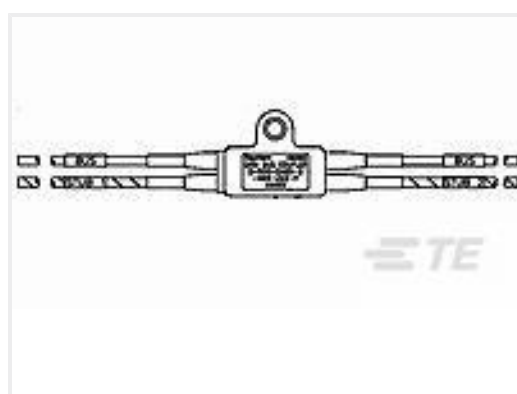
TE Part # 575126-000  
D-500-0458-2-613-078



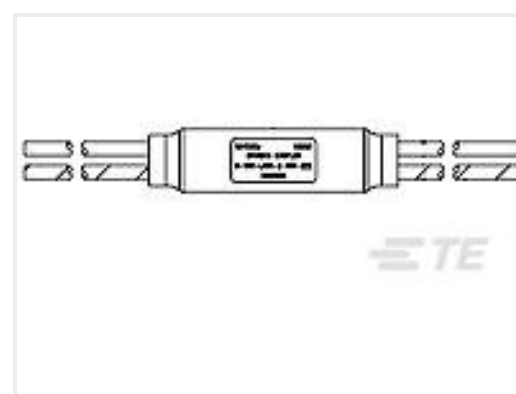
TE Part # 516133-000  
D-500-0458-2-613-160



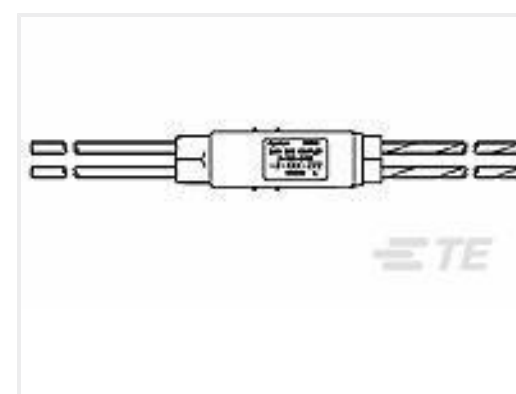
TE Part # 199203-000  
D-500-0457-1-613-236



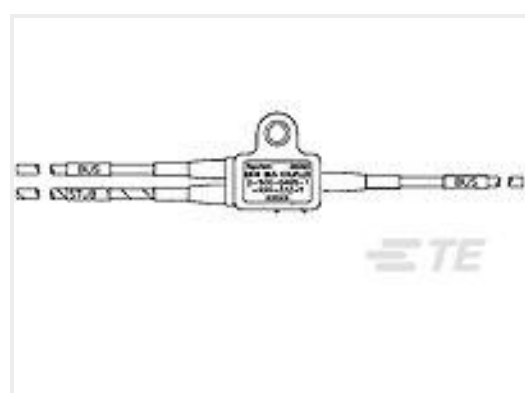
TE Part # 106413-000  
D-500-0465-2-613-079



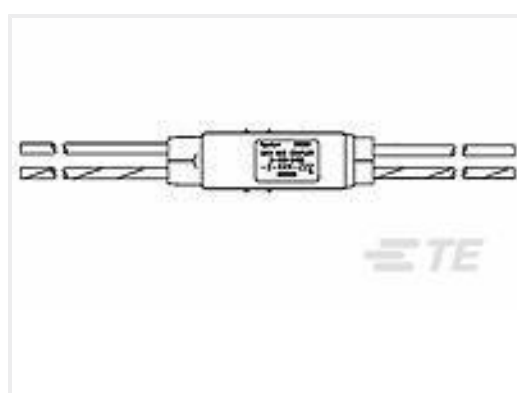
TE Part # 189614-000  
D-500-L455-2-613-240



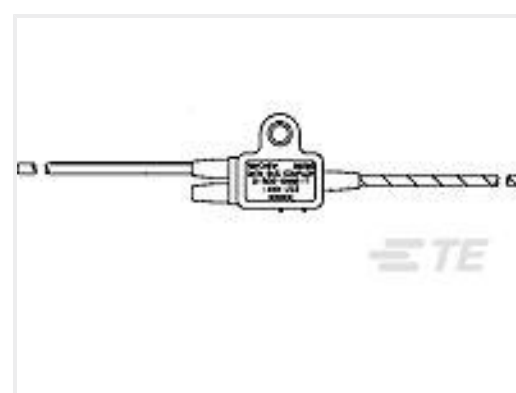
TE Part # 525333-000  
D-500-0456-2-613-160



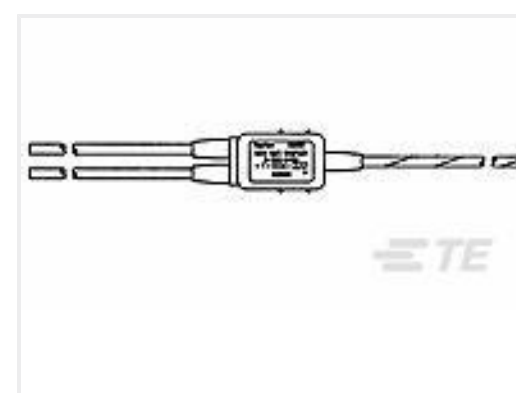
TE Part # 137632-000  
D-500-0465-1-613-236



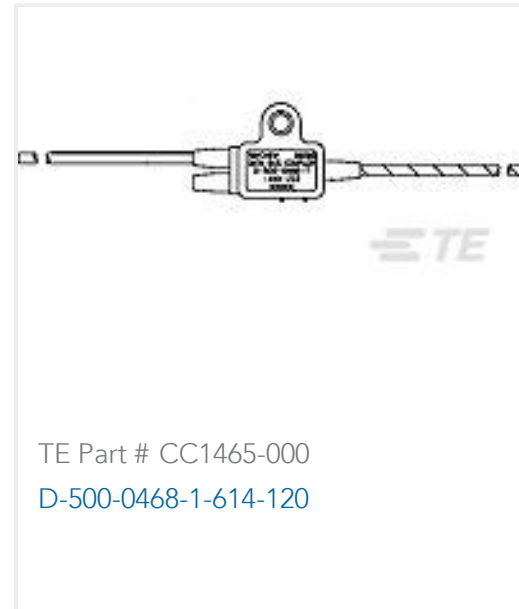
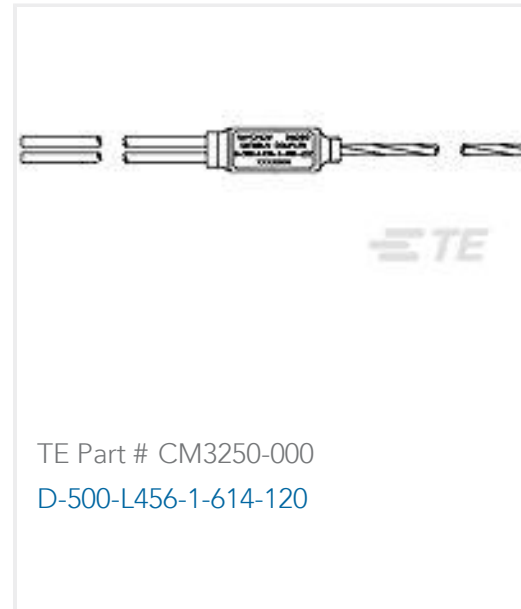
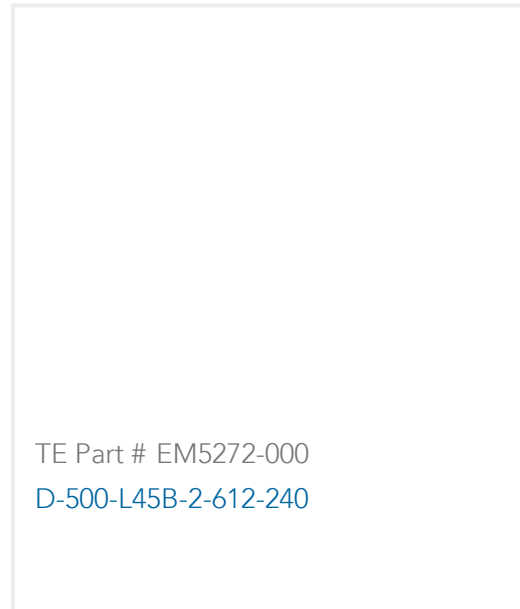
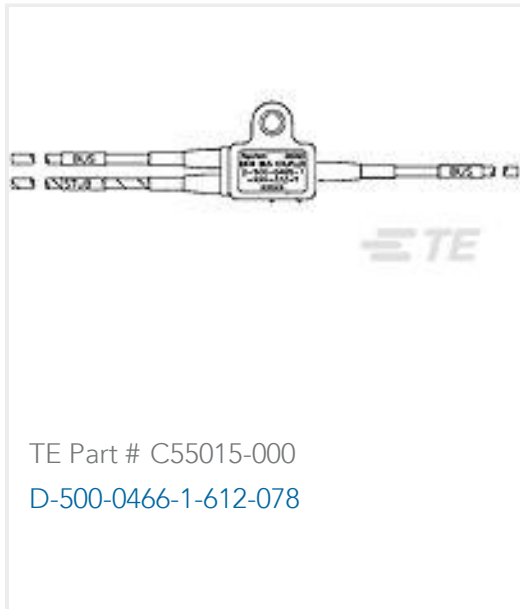
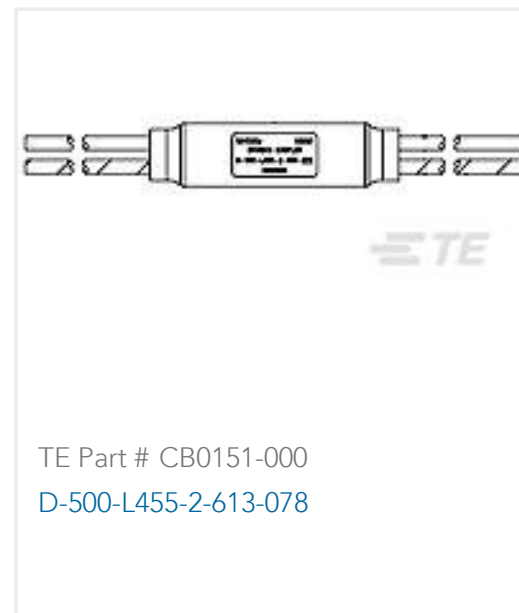
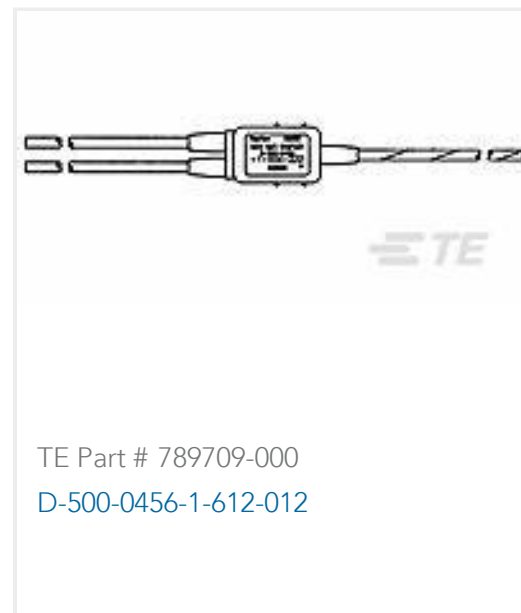
TE Part # 430417-000  
D-500-0455-2-613-120



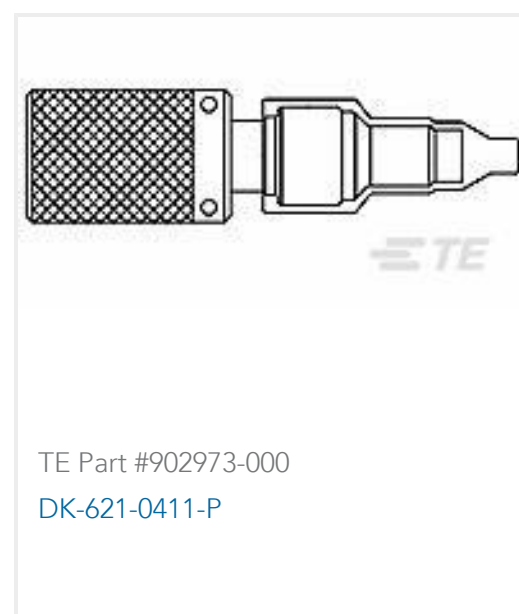
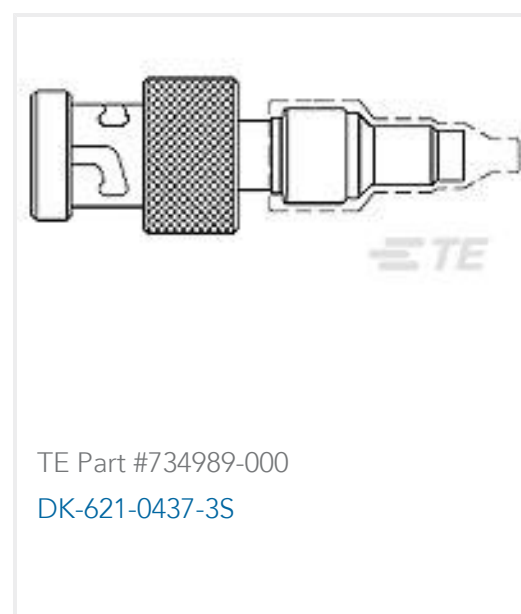
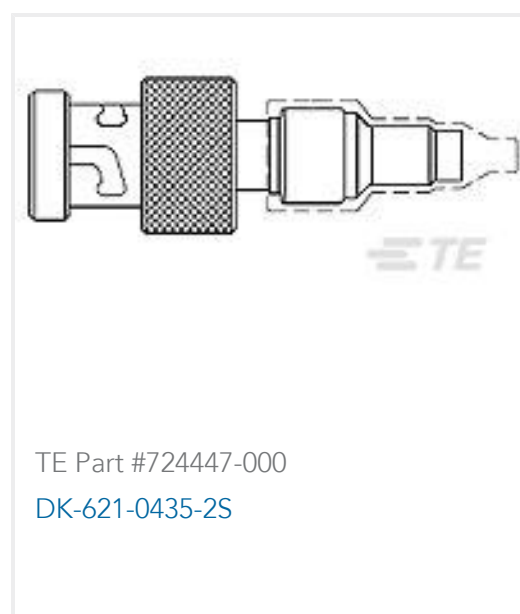
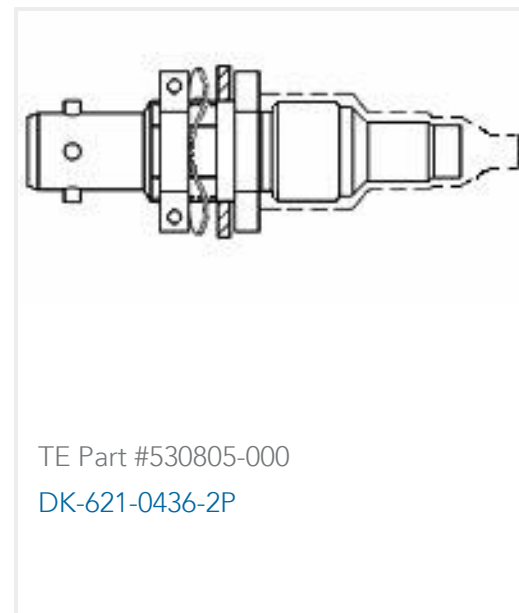
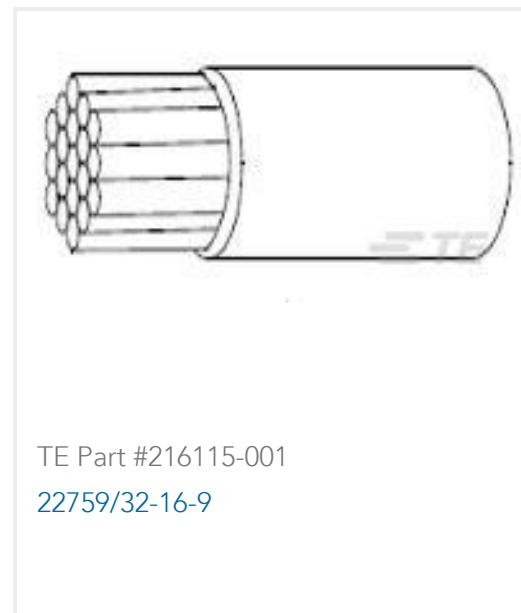
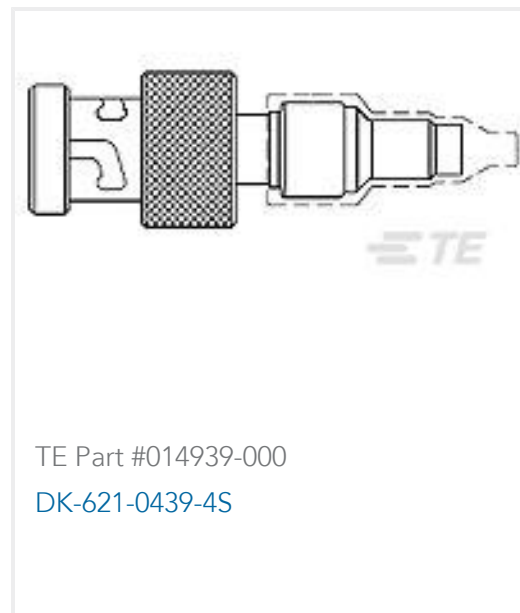
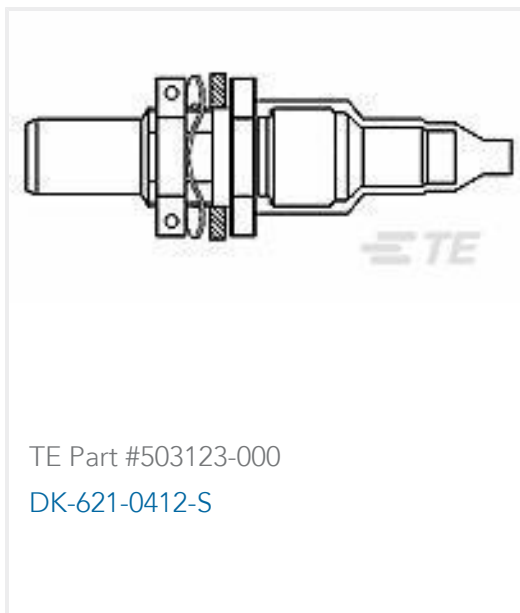
TE Part # 165915-000  
D-500-0468-1-612-012



TE Part # 386405-000  
D-500-0456-1-613-078



### Customers Also Bought



### Documents



### Product Drawings

[DK-621-0434-1P](#)

English

---

### CAD Files

[3D PDF](#)

3D

Customer View Model

[ENG\\_CVM\\_CVM\\_638491-000\\_O.2d\\_dxf.zip](#)

English

Customer View Model

[ENG\\_CVM\\_CVM\\_638491-000\\_O.3d\\_igs.zip](#)

English

Customer View Model

[ENG\\_CVM\\_CVM\\_638491-000\\_O.3d\\_stp.zip](#)

English

By downloading the CAD file I accept and agree to the [Terms and Conditions](#) of use.

---

### Datasheets & Catalog Pages

[Data Bus Components Brochure](#)

English

---

### Product Specifications

[Product Specification](#)

English

---

### Instruction Sheets

[Instruction Sheet \(U.S.\)](#)

English

---