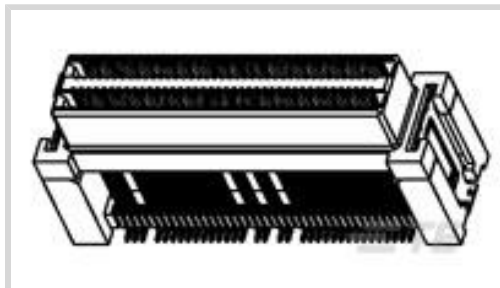




Connectors > PCB Connectors > PCB Headers & Receptacles

PCB Connector Assembly Type: **PCB Mount Receptacle**PCB Mount Orientation: **Vertical**Connector System: **Board-to-Board**Number of Positions: **80**Centerline (Pitch): **.6 mm [.023 in]**

Features

Electrical Characteristics

Operating Voltage	10 VAC
-------------------	--------

Dimensions

Connector Width	7.6 mm[2.99 in]
PCB Thickness (Recommended)	1.6 mm
Connector Height	13.6 mm[5.35 in]
Connector Length	30.4 mm[11.96 in]

Packaging Features

Packaging Quantity	360
Packaging Method	Tray

Usage Conditions

Operating Temperature (Max)	85 °C[185 °F]
Operating Temperature Range	-55 – 85 °C[-67 – 185 °F]

Mechanical Attachment

Mating Alignment Type	Chamfered Edges
PCB Mount Retention Type	Solder Peg
PCB Mount Alignment Type	Solder Peg
PCB Mount Retention	With
PCB Mount Alignment	With



Connector Mounting Type	Board Mount
-------------------------	-------------

Mating Alignment	Without
------------------	---------

Termination Features

Rectangular Termination Post & Tail Width	1 mm [.04 in]
---	---------------

Rectangular Termination Post & Tail Thickness	.25 mm [.01 in]
---	-----------------

Termination Method to PCB	Surface Mount
---------------------------	---------------

Contact Features

Contact Mating Area Plating Material Thickness	.3 μ m
--	------------

Contact Base Material	Copper Alloy
-----------------------	--------------

PCB Contact Termination Area Plating Material	Gold Flash
---	------------

Contact Mating Area Plating Material	Gold
--------------------------------------	------

Contact Type	Pin
--------------	-----

Contact Current Rating (Max)	.5 A
------------------------------	------

Housing Features

Mating Entry Location	Top
-----------------------	-----

Housing Material	LCP (Liquid Crystal Polymer)
------------------	------------------------------

Centerline (Pitch)	.6 mm [.023 in]
--------------------	-----------------

Configuration Features

Board-to-Board Configuration	Parallel
------------------------------	----------

Stackable	Yes
-----------	-----

PCB Mount Orientation	Vertical
-----------------------	----------

Number of Positions	80
---------------------	----

Product Type Features

Connector Shape	Rectangular
-----------------	-------------

PCB Connector Assembly Type	PCB Mount Receptacle
-----------------------------	----------------------

Connector System	Board-to-Board
------------------	----------------

Header Type	Fully Shrouded
-------------	----------------

Sealable	No
----------	----

Connector & Contact Terminates To	Printed Circuit Board
-----------------------------------	-----------------------

Body Features

Primary Product Color	Black
-----------------------	-------

Operation/Application



Circuit Application	Signal
---------------------	--------

Industry Standards

UL Flammability Rating	UL 94V-0
------------------------	----------

Other

EU RoHS Compliance	Compliant
--------------------	-----------

EU ELV Compliance	Compliant
-------------------	-----------

Product Compliance

[For compliance documentation, visit the product page on TE.com>](#)

EU RoHS Directive 2011/65/EU	Compliant
------------------------------	-----------

EU ELV Directive 2000/53/EC	Compliant
-----------------------------	-----------

China RoHS 2 Directive MIIT Order No 32, 2016	No Restricted Materials Above Threshold
---	---

EU REACH Regulation (EC) No. 1907/2006	Current ECHA Candidate List: JUNE 2024 (241) Candidate List Declared Against: JUNE 2023 (235) Does not contain REACH SVHC
--	---

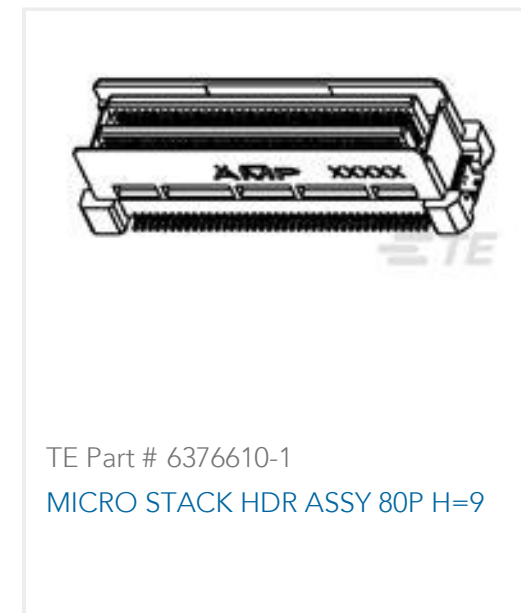
Halogen Content	Low Halogen - Br, Cl, F, I < 900 ppm per homogenous material. Also BFR/CFR/PVC Free
-----------------	---

Solder Process Capability	Reflow solder capable to 260°C
---------------------------	--------------------------------

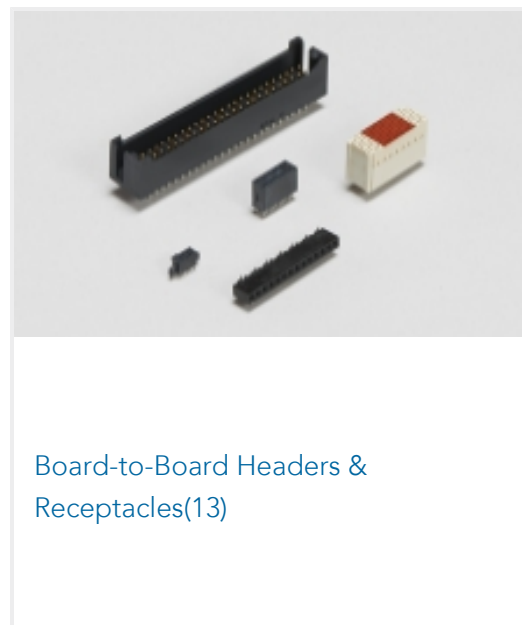
Product Compliance Disclaimer

This information is provided based on reasonable inquiry of our suppliers and represents our current actual knowledge based on the information they provided. This information is subject to change. The part numbers that TE has identified as EU RoHS compliant have a maximum concentration of 0.1% by weight in homogenous materials for lead, hexavalent chromium, mercury, PBB, PBDE, DBP, BBP, DEHP, DIBP, and 0.01% for cadmium, or qualify for an exemption to these limits as defined in the Annexes of Directive 2011/65/EU (RoHS2). Finished electrical and electronic equipment products will be CE marked as required by Directive 2011/65/EU. Components may not be CE marked. Additionally, the part numbers that TE has identified as EU ELV compliant have a maximum concentration of 0.1% by weight in homogenous materials for lead, hexavalent chromium, and mercury, and 0.01% for cadmium, or qualify for an exemption to these limits as defined in the Annexes of Directive 2000/53/EC (ELV). Regarding the REACH Regulation, the information TE provides on SVHC in articles for this part number is based on the latest European Chemicals Agency (ECHA) 'Guidance on requirements for substances in articles' posted at this URL: <https://echa.europa.eu/guidance-documents/guidance-on-reach>

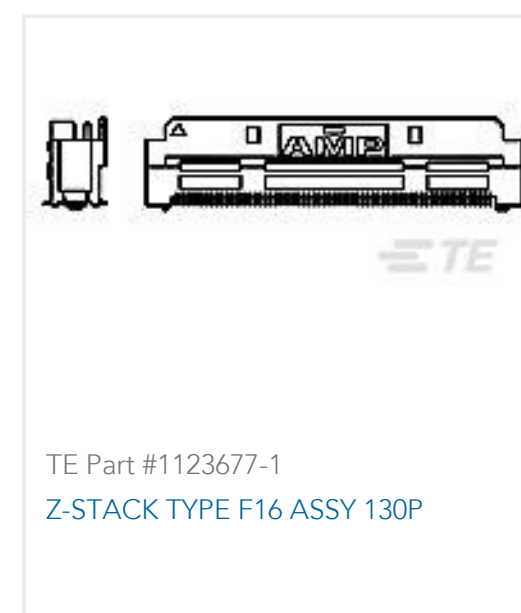
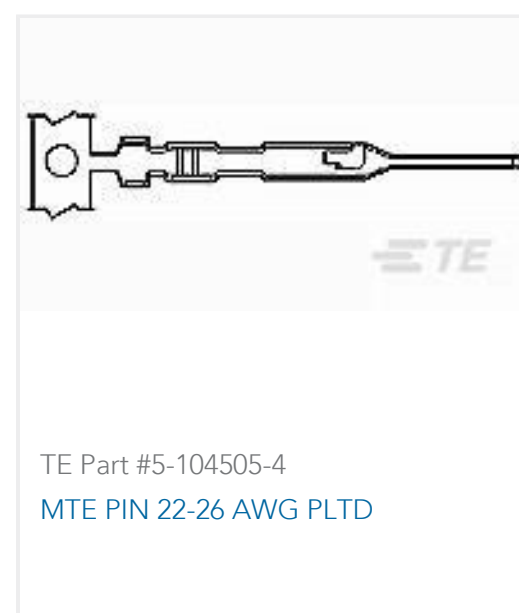
Compatible Parts



Also in the Series | **Micro Stack**



Customers Also Bought





Documents

Product Drawings

[MICRO STACK REC ASSY 80P WITH TAPE](#)

English

CAD Files

[3D PDF](#)

3D

Customer View Model

[ENG_CVM_CVM_6376608-2_L.2d_dxf.zip](#)

English

Customer View Model

[ENG_CVM_CVM_6376608-2_L.3d_igs.zip](#)

English

Customer View Model

[ENG_CVM_CVM_6376608-2_L.3d_stp.zip](#)

English

By downloading the CAD file I accept and agree to the [Terms and Conditions](#) of use.

Product Specifications

[Product Specification](#)

Japanese