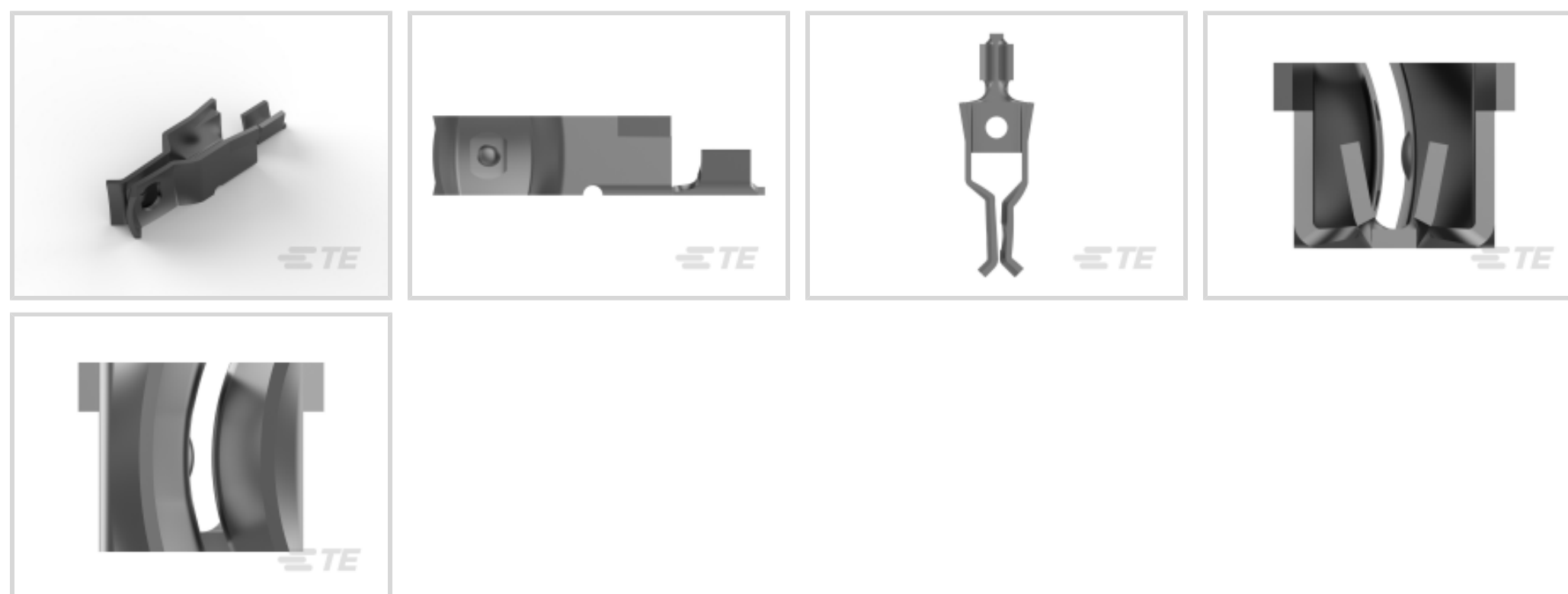




Terminals & Splices > Quick Disconnects



Quick Disconnect Terminal Type: **Receptacle**

Wire Size: .51 – 1.31 mm²

Terminal Orientation: **Straight**

Contact Base Material: **Phosphor Bronze**

Features

Termination Features

Product Terminates To	Wire & Cable
-----------------------	--------------

Configuration Features

Compatible With Wire & Cable Type	Discrete Wire
Connection Capacity	Single

Mechanical Attachment

Wire Insulation Support	Without
-------------------------	---------

Packaging Features

Packaging Quantity	1750
Packaging Method	Strip/Reel

Dimensions

Product Length	25.4 mm[1 in]
Terminal Material Thickness	.64 mm[.025 in]
Wire Size	.51 – 1.31 mm ²

Contact Features

Quick Disconnect Terminal Type	Receptacle
--------------------------------	------------



Terminal Orientation	Straight
Contact Base Material	Phosphor Bronze
Terminal Plating Material	Tin
Crimp Type	F-Crimp
Barrel Type	Open

Usage Conditions

Insulation Option	Uninsulated
Operating Temperature Range	-40 – 110 °C[-40 – 230 °F]

Other

EU RoHS Compliance	Compliant
EU ELV Compliance	Compliant

Product Compliance

[For compliance documentation, visit the product page on TE.com>](#)

EU RoHS Directive 2011/65/EU	Compliant
EU ELV Directive 2000/53/EC	Compliant
China RoHS 2 Directive MIIT Order No 32, 2016	No Restricted Materials Above Threshold
EU REACH Regulation (EC) No. 1907/2006	Current ECHA Candidate List: JUNE 2024 (241) Candidate List Declared Against: JUNE 2024 (241) Does not contain REACH SVHC
Halogen Content	Low Halogen - Br, Cl, F, I < 900 ppm per homogenous material. Also BFR/CFR/PVC Free
Solder Process Capability	Not applicable for solder process capability

Product Compliance Disclaimer

This information is provided based on reasonable inquiry of our suppliers and represents our current actual knowledge based on the information they provided. This information is subject to change. The part numbers that TE has identified as EU RoHS compliant have a maximum concentration of 0.1% by weight in homogenous materials for lead, hexavalent chromium, mercury, PBB, PBDE, DBP, BBP, DEHP, DIBP, and 0.01% for cadmium, or qualify for an exemption to these limits as defined in the Annexes of Directive 2011/65/EU (RoHS2). Finished electrical and electronic equipment products will be CE marked as required by Directive 2011/65/EU. Components may not be CE marked. Additionally, the part numbers that TE has identified as EU ELV compliant have a maximum concentration of 0.1% by weight in homogenous materials for lead, hexavalent chromium, and mercury, and 0.01% for cadmium, or qualify for an exemption to these limits as defined in the Annexes of Directive 2000/53/EC (ELV). Regarding the REACH Regulation, the information TE provides on SVHC in articles for this part number is based on the latest European Chemicals Agency (ECHA) 'Guidance on requirements for substances in articles' posted at this URL: <https://echa.europa.eu/guidance-documents/guidance-on-reach>



Compatible Parts



TE Part # 1217440-8
STRAIN RELIEF,SPECIAL PH BRZ



TE Part # 1438246-1
SPLICE, BUTT, HEATER WIRE 18-16 AWG BR



TE Part # 1438246-2
SPLICE, BUTT, HEATER WIRE 18-16AWG PTPBR



TE Part # 61684-3
SPECIAL TAB TAB TNSL WIRE GPBR



TE Part # 63863-1
TWIST LOCK RECEPTACLE 18-14 AWG TPPHBZ



TE Part # 61684-5
SPECIAL TAB TAB TNSL WIRE NTPBR



TE Part # 962907-2
FLACHSTECK 4,8 SPEZ



TE Part # 61280-1
BUTTON CONTACT 20-16 AWG BR



TE Part # 40626
FUSE TERMINAL RECEPTACLE 16-14 AWG TPBR



TE Part # 1217881-1
250 FUSE RCPT 020TPBR



TE Part # 63271-1
COIL TERMINAL TERMINAL 24-20 AWG PTPBR



TE Part # 62587-1
PIN RECEPTACLE 12-10 AWG TPBR



TE Part # 61248-1
TAB INSULATION PIERCING 20-18 AWG TPCUBR


Customers Also Bought



TE Part #8-2232265-3
PTL 1X3 PLUG HSG GLW WIRE KEY D ORA



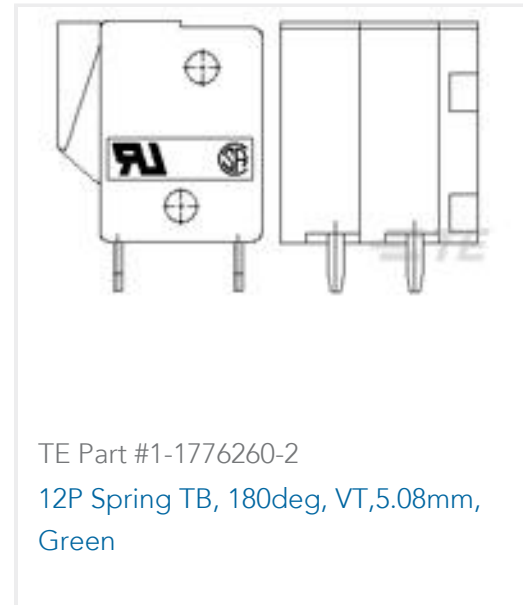
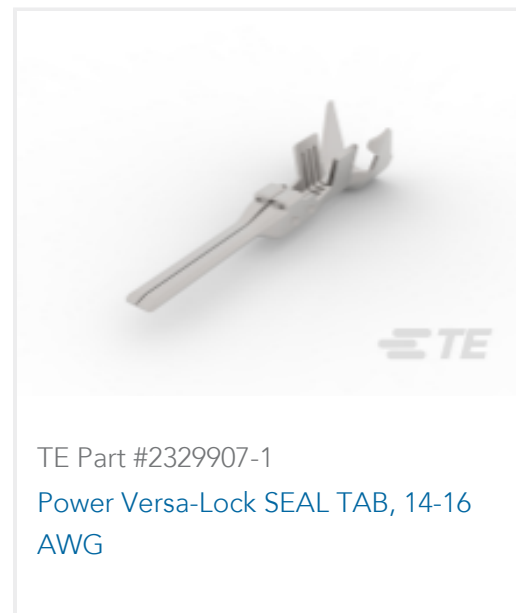
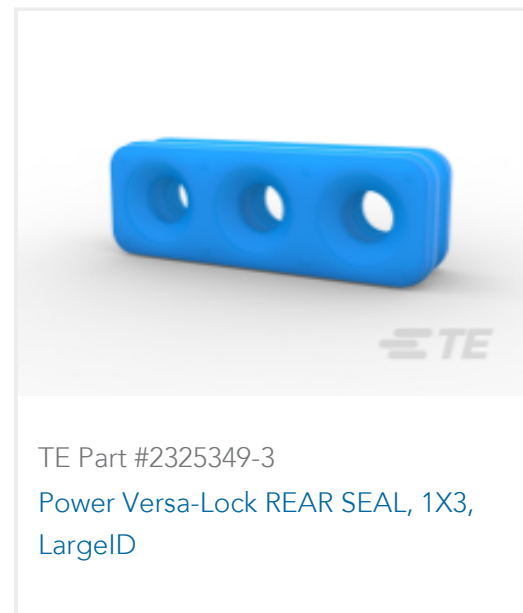
TE Part #2334614-3
Power Versa-Lock BACK COVER 3P



TE Part #2325349-1
Power Versa-Lock REAR SEAL, 1X1, LargeID



TE Part #2-1971772-4
PTL 1X4 CAP PANEL MT STD TEMP KEY B PUR



Documents

Product Drawings

[RCPT TWISTLOK 20-16 0255 TPPHBZ](#)

English

CAD Files

[3D PDF](#)

3D

Customer View Model

[ENG_CVM_CVM_63723-2_H1.2d_dxf.zip](#)

English

Customer View Model

[ENG_CVM_CVM_63723-2_H1.3d_igs.zip](#)

English

Customer View Model

[ENG_CVM_CVM_63723-2_H1.3d_stp.zip](#)

English

By downloading the CAD file I accept and agree to the [Terms and Conditions](#) of use.