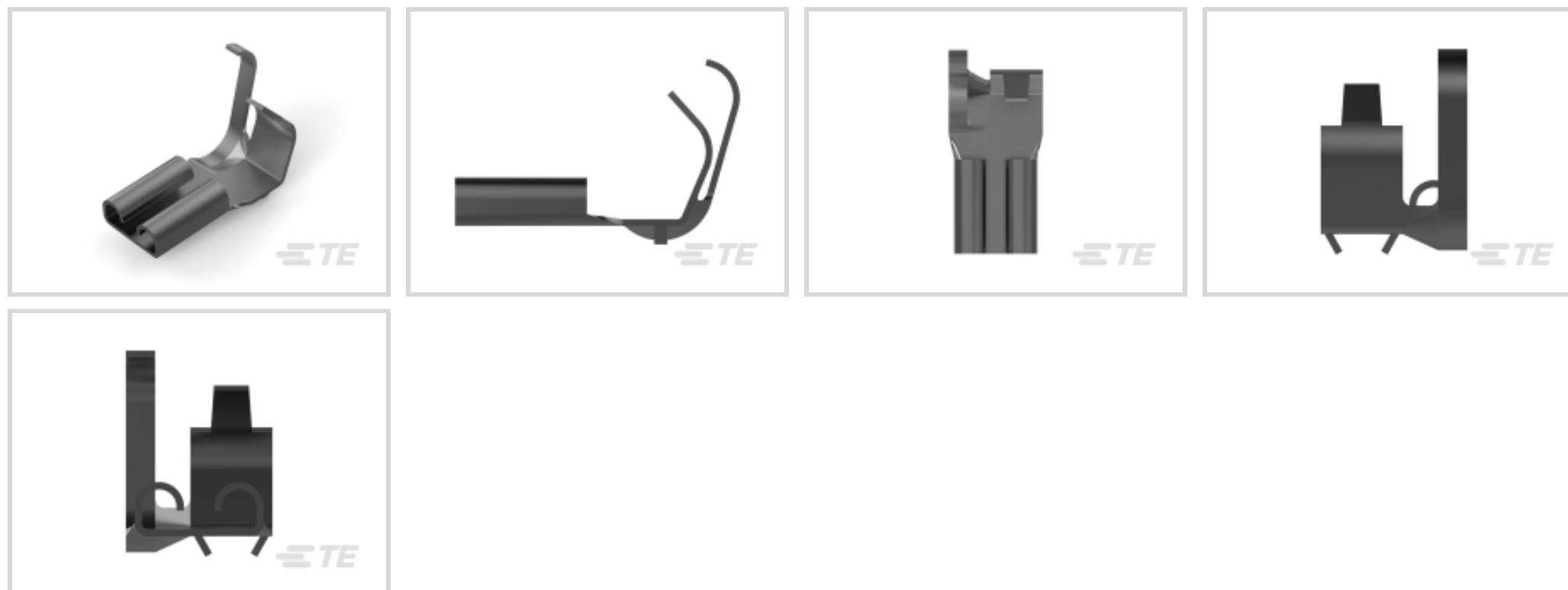




Terminals & Splices > Quick Disconnects



Quick Disconnect Terminal Type: **Receptacle**

Wire Size: .51 – 1.31 mm<sup>2</sup>

Mating Tab Width: 4.75 mm [.187 in]

Mating Tab Thickness: .51 mm [.02 in]

## Features

### Industry Standards

Compatible With Agency/Standards Products	UL, CSA
---	---------

### Termination Features

Product Terminates To	Wire & Cable
-----------------------	--------------

### Configuration Features

Compatible With Wire & Cable Type	Discrete Wire
Connection Capacity	Single

### Mechanical Attachment

Wire Insulation Support	With
Mating Retention Type	Dimple

### Other

Line	Budget
EU RoHS Compliance	Compliant
EU ELV Compliance	Compliant

### Packaging Features



Packaging Quantity	6000
--------------------	------

Packaging Method	Strip/Reel
------------------	------------

### Dimensions

Product Length	13.46 mm [.53 in]
----------------	-------------------

Compatible Insulation Diameter Range	2.79 – 4.32 mm [.11 – .17 in]
--------------------------------------	-------------------------------

Terminal Material Thickness	.33 mm [.013 in]
-----------------------------	------------------

Wire Size	.51 – 1.31 mm <sup>2</sup>
-----------	----------------------------

### Product Type Features

Insertion Force	Low
-----------------	-----

### Contact Features

Quick Disconnect Terminal Type	Receptacle
--------------------------------	------------

Mating Tab Width	4.75 mm [.187 in]
------------------	-------------------

Mating Tab Thickness	.51 mm [.02 in]
----------------------	-----------------

Terminal Orientation	Flag
----------------------	------

Contact Base Material	Brass
-----------------------	-------

Terminal Plating Material	Tin
---------------------------	-----

Crimp Type	Tab-Lok
------------	---------

Barrel Type	Open
-------------	------

### Usage Conditions

Insulation Option	Uninsulated
-------------------	-------------

Operating Temperature Range	-40 – 110 °C [-40 – 230 °F]
-----------------------------	-----------------------------

### Product Compliance

For compliance documentation, visit the product page on [TE.com](https://www.te.com)>

EU RoHS Directive 2011/65/EU	Compliant
------------------------------	-----------

EU ELV Directive 2000/53/EC	Compliant
-----------------------------	-----------

China RoHS 2 Directive MIIT Order No 32, 2016	No Restricted Materials Above Threshold
---	---

EU REACH Regulation (EC) No. 1907/2006	Current ECHA Candidate List: JUNE 2024 (241) Candidate List Declared Against: JUNE 2024 (241) Does not contain REACH SVHC
--	---

Halogen Content	Low Halogen - Br, Cl, F, I < 900 ppm per homogenous material. Also BFR/CFR/PVC Free
-----------------	---

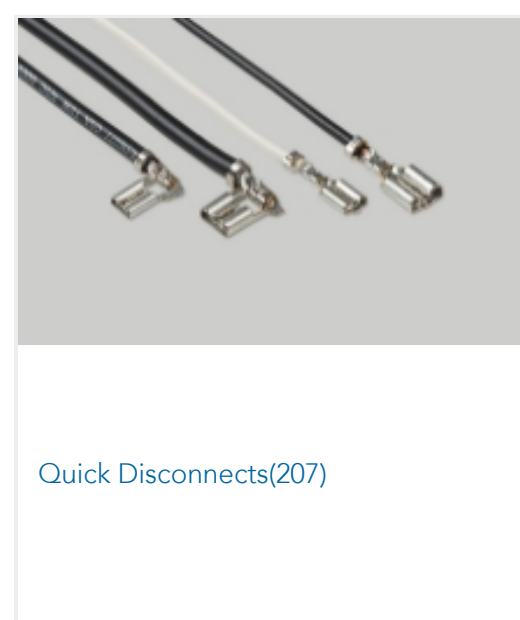
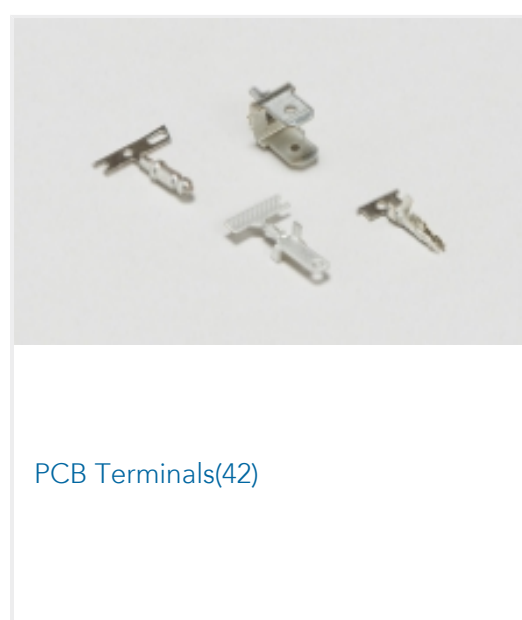
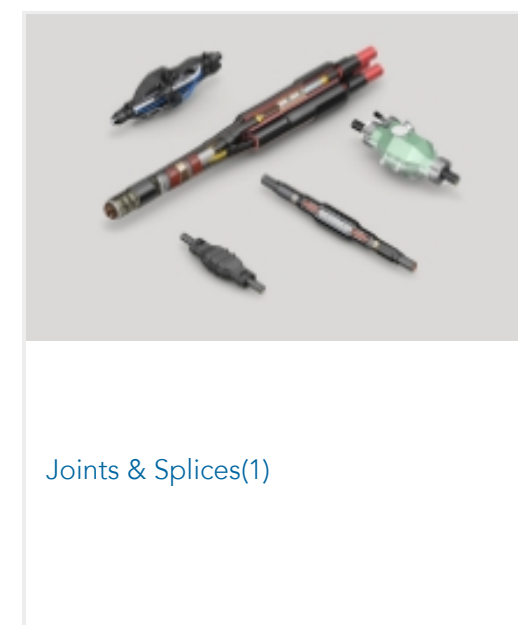
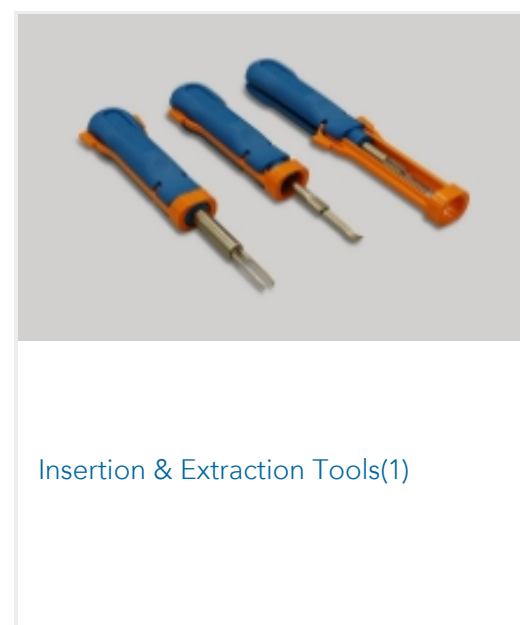
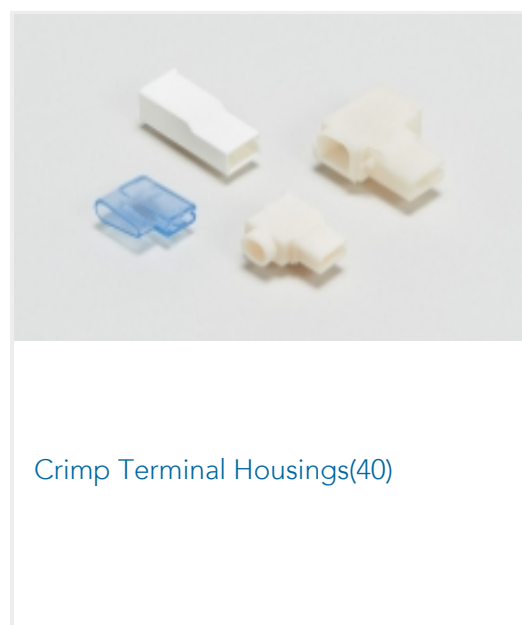
Solder Process Capability

Not applicable for solder process capability

## Product Compliance Disclaimer

This information is provided based on reasonable inquiry of our suppliers and represents our current actual knowledge based on the information they provided. This information is subject to change. The part numbers that TE has identified as EU RoHS compliant have a maximum concentration of 0.1% by weight in homogenous materials for lead, hexavalent chromium, mercury, PBB, PBDE, DBP, BBP, DEHP, DIBP, and 0.01% for cadmium, or qualify for an exemption to these limits as defined in the Annexes of Directive 2011/65/EU (RoHS2). Finished electrical and electronic equipment products will be CE marked as required by Directive 2011/65/EU. Components may not be CE marked. Additionally, the part numbers that TE has identified as EU ELV compliant have a maximum concentration of 0.1% by weight in homogenous materials for lead, hexavalent chromium, and mercury, and 0.01% for cadmium, or qualify for an exemption to these limits as defined in the Annexes of Directive 2000/53/EC (ELV). Regarding the REACH Regulation, the information TE provides on SVHC in articles for this part number is based on the latest European Chemicals Agency (ECHA) 'Guidance on requirements for substances in articles' posted at this URL: <https://echa.europa.eu/guidance-documents/guidance-on-reach>

## Compatible Parts

Also in the Series | **FASTON 187**

## Customers Also Bought



TE Part #1-521785-1  
250 FASTON HSG., REC., 2 POS,  
NATURAL



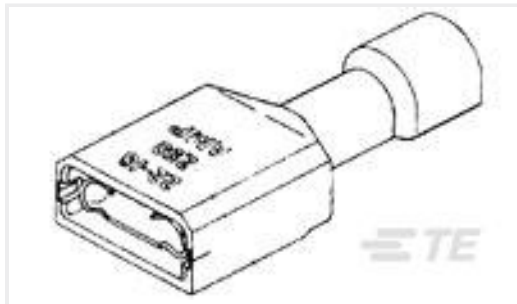
TE Part #2238136-2  
RECEPTACLE, POSITIVE-LOCK, RAST  
6.35



TE Part #521411-2  
ULTRA-POD 250 ASY REC 22-18 AWG  
TPBR



TE Part #794221-1  
MINI UMNL2 SOK 22-18 AWG SN



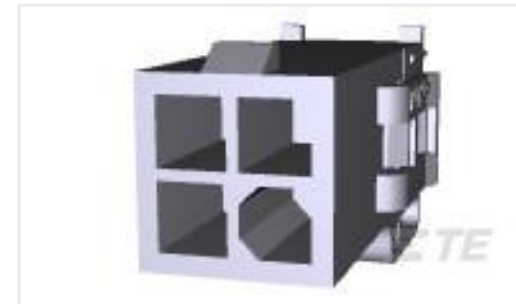
TE Part #2-520306-2  
ULTRA-FAST .110/.125 ASY REC 22-18  
TPBR



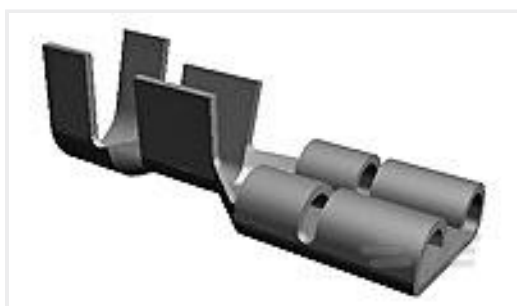
TE Part #1-770849-2  
12P SL156 HSG W/LCK RMP & TABS



TE Part #794188-1  
04P MINI UMNL2 PLUG HSG UL94V0



TE Part #794189-1  
04P MINI UMNL2 CAP HSG UL94V0



TE Part #63306-2  
250 FASTON REC 18-14 AWG TPBR



TE Part #61794-1  
RING 18-14 AWG TPST

## Documents

### Product Drawings

[187 FASTON FLAG REC 20-16 AWG TPBR](#)

English

### CAD Files

Customer View Model

[ENG\\_CVM\\_CVM\\_63476-2\\_R.2d\\_dxf.zip](#)

English

### 3D PDF

3D

Customer View Model

[ENG\\_CVM\\_CVM\\_63476-2\\_R.3d\\_igs.zip](#)

English

Customer View Model

[ENG\\_CVM\\_CVM\\_63476-2\\_R.3d\\_stp.zip](#)

English

By downloading the CAD file I accept and agree to the [Terms and Conditions](#) of use.

## Product Specifications



### Application Specification

English

---

### Agency Approvals

#### UL Report

English