

63467-1 ✓ ACTIVE

FASTIN-FASTON | FASTIN-FASTON 250

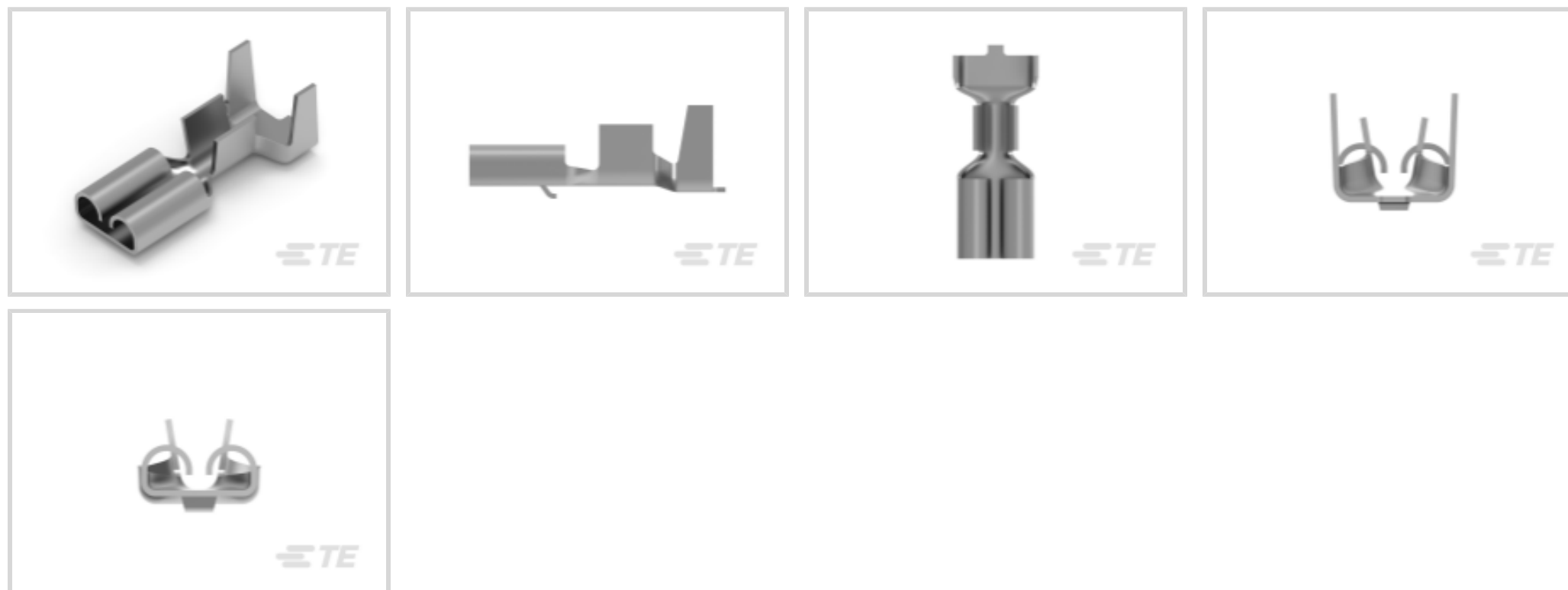
TE Internal #: 63467-1

Quick Disconnect Receptacle, 14 – 10 AWG, 2.08 – 5.26 mm² Wire, 6.35 mm [.25 in] Tab Width, Straight, Brass, Tin Plating, FASTIN-FASTON 250

[View on TE.com >](#)



Terminals & Splices > Quick Disconnects



Quick Disconnect Terminal Type: **Receptacle**

Wire Size: **2.08 – 5.26 mm²**

Mating Tab Width: **6.35 mm [.25 in]**

Mating Tab Thickness: **.81 mm [.032 in]**

Features

Termination Features

Product Terminates To Wire & Cable

Configuration Features

Compatible With Wire & Cable Type Discrete Wire

Connection Capacity Single

Mechanical Attachment

Wire Insulation Support With

Mating Retention Type Locking Lance

Packaging Features

Packaging Quantity 6000

Packaging Method Strip/Reel

Dimensions

Product Length 19.56 mm [.77 in]

Compatible Insulation Diameter Range 5.72 – 6.99 mm [.225 – .275 in]

Terminal Material Thickness .41 mm [.016 in]



Wire Size	2.08 – 5.26 mm ²
-----------	-----------------------------

Product Type Features

Insertion Force	Normal
-----------------	--------

Contact Features

Quick Disconnect Terminal Type	Receptacle
--------------------------------	------------

Mating Tab Width	6.35 mm [.25 in]
------------------	------------------

Mating Tab Thickness	.81 mm [.032 in]
----------------------	------------------

Terminal Orientation	Straight
----------------------	----------

Contact Base Material	Brass
-----------------------	-------

Terminal Plating Material	Tin
---------------------------	-----

Crimp Type	F-Crimp
------------	---------

Barrel Type	Open
-------------	------

Usage Conditions

Insulation Option	Uninsulated
-------------------	-------------

Operating Temperature Range	-40 – 110 °C [-40 – 230 °F]
-----------------------------	-----------------------------

Other

EU RoHS Compliance	Compliant
--------------------	-----------

EU ELV Compliance	Compliant
-------------------	-----------

Product Compliance

[For compliance documentation, visit the product page on TE.com>](#)

EU RoHS Directive 2011/65/EU	Compliant
------------------------------	-----------

EU ELV Directive 2000/53/EC	Compliant
-----------------------------	-----------

China RoHS 2 Directive MIIT Order No 32, 2016	No Restricted Materials Above Threshold
---	---

EU REACH Regulation (EC) No. 1907/2006	Current ECHA Candidate List: JUNE 2024 (241) Candidate List Declared Against: JUNE 2024 (241) Does not contain REACH SVHC
--	---

Halogen Content	Low Halogen - Br, Cl, F, I < 900 ppm per homogenous material. Also BFR/CFR/PVC Free
-----------------	---

Solder Process Capability	Not applicable for solder process capability
---------------------------	--

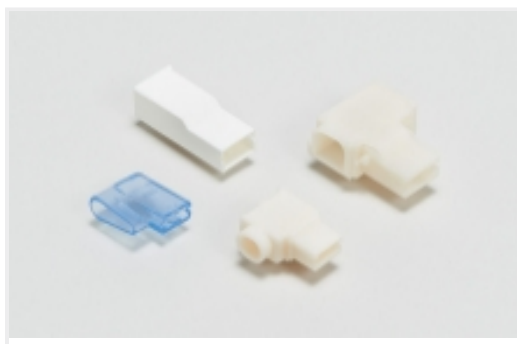
Product Compliance Disclaimer

This information is provided based on reasonable inquiry of our suppliers and represents our current actual knowledge based on the information they provided. This information is subject to change. The part numbers that TE has identified as EU RoHS compliant have a maximum concentration of 0.1% by weight in homogenous materials for lead, hexavalent chromium, mercury, PBB, PBDE, DBP, BBP, DEHP, DIBP, and 0.01% for cadmium, or qualify for an exemption to these limits as defined in the Annexes of Directive 2011/65/EU (RoHS2). Finished electrical and electronic equipment products will be CE marked as required by Directive 2011/65/EU. Components may not be CE marked. Additionally, the part numbers that TE has identified as EU ELV compliant have a maximum concentration of 0.1% by weight in homogenous materials for lead, hexavalent chromium, and mercury, and 0.01% for cadmium, or qualify for an exemption to these limits as defined in the Annexes of Directive 2000/53/EC (ELV). Regarding the REACH Regulation, the information TE provides on SVHC in articles for this part number is based on the latest European Chemicals Agency (ECHA) 'Guidance on requirements for substances in articles' posted at this URL: <https://echa.europa.eu/guidance-documents/guidance-on-reach>

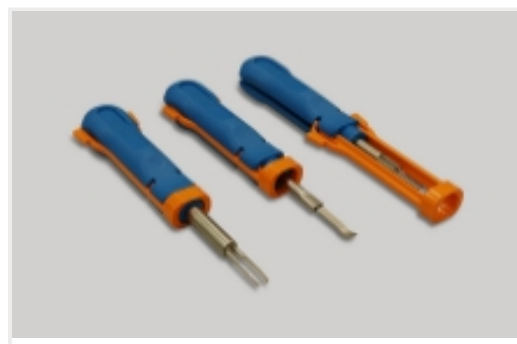
Compatible Parts



Also in the Series | **FASTIN-FASTON 250**



Crimp Terminal Housings(204)



Insertion & Extraction Tools(2)

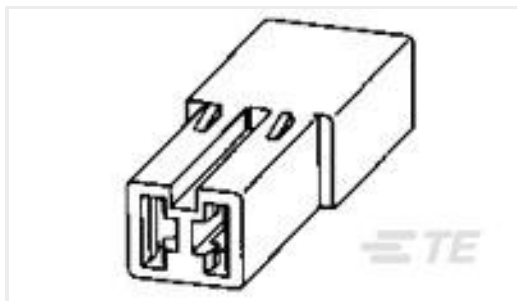
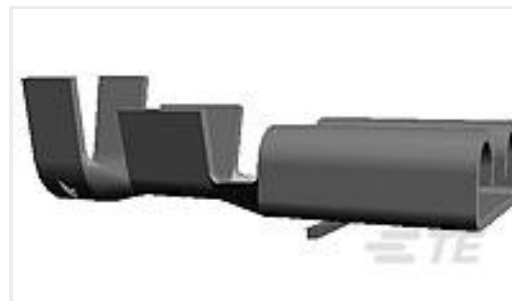
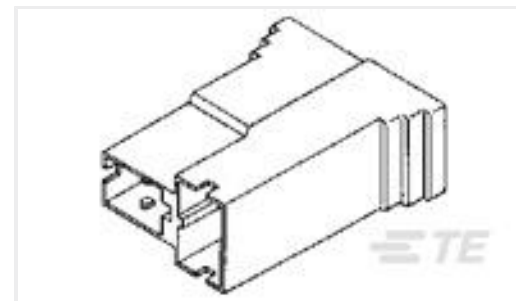
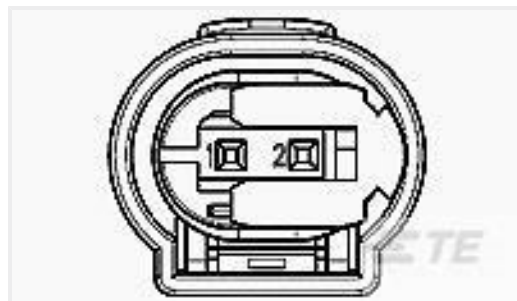
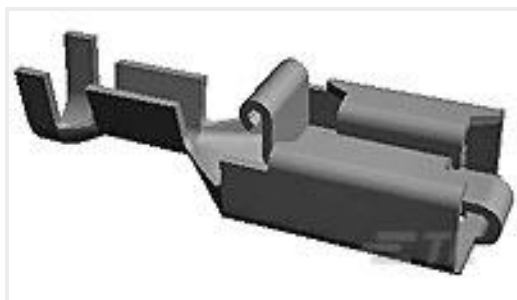
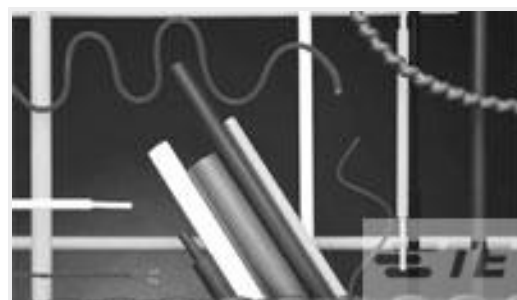


PCB Terminals(1)



Quick Disconnects(225)

Customers Also Bought

TE Part #180923
FF 250 REC HSG 2P NYLON NATTE Part #5-1419102-2
T9AP5D52-24TE Part #160860-2
FF 250 REC 0.5-1.0MM2 TPBRTE Part #926522-1
PL 250 REC HSG 2P NYLON BLACKTE Part #1600606-2
PANEL MT RECPT HSG W/GUIDES PTE Part #1-967644-1
2POS MQS REC SEALED COD ATE Part #280095-1
FF 250 REC 0.3-0.8MM2 BRTE Part #1-640452-2
12P MTA100 HDR ASSY SQ STRTE Part #1-160759-1
250 PL MKI REC. 20-15AWG PTBRTE Part #1716214001
GPO-135-32/16-0-SP

Documents

Product Drawings

[FF 250 REC 14-10AWG TPBR](#)

English

CAD Files

[3D PDF](#)

3D

[Customer View Model](#)

[ENG_CVM_CVM_63467-1_K.2d_dxf.zip](#)



English

Customer View Model

[ENG_CVM_CVM_63467-1_K.3d_igs.zip](#)

English

Customer View Model

[ENG_CVM_CVM_63467-1_K.3d_stp.zip](#)

English

By downloading the CAD file I accept and agree to the [Terms and Conditions](#) of use.

Product Specifications

[Engineering Report](#)

English