



**SPLICE**

TE Internal #: 626315-1

Pigtail Splice, 8 – 6 AWG, 8.36 – 13.3 mm<sup>2</sup> Wire, 3 Splice Capacity, 15000 – 25000 CMA, Brass, 0 Serration, 6.2 mm [.245 in] Length, Strip, SPLICE

[View on TE.com >](#)

Terminals & Splices > Splices



Splice Type: **Pigtail Splice**

Wire Size: **8.36 – 13.3 mm<sup>2</sup>**

Sealable: **No**

Splice Capacity: **3**

**Features**

**Body Features**

Product Weight	.78 g
----------------	-------

**Electrical Characteristics**

Operating Voltage	250 V
-------------------	-------

**Packaging Features**

Packaging Quantity	10000
Packaging Method	Strip

**Contact Features**

Terminal Plating Material	Unplated
Contact Base Material	Brass
Barrel Type	Open

**Configuration Features**

Strip Orientation	End Feed
Splice Capacity	3
Number of Serrations	0



Compatible With Wire &amp; Cable Type

Discrete Wire

### Dimensions

Recovered Inside Diameter

2.54 mm[.1 in]

Wire Size

15000 – 25000 CMA

Barrel Inside Diameter

3.68 mm[.145 in]

Terminal Material Thickness

.76 mm[.03 in]

Product Length

6.2 mm[.245 in]

### Product Type Features

Splice Type

Pigtail Splice

Sealable

No

Compatible With Discrete Wire Type

Solid, Stranded

### Mechanical Attachment

Wire Insulation Support

Without

### Usage Conditions

Insulation Option

Uninsulated

Operating Temperature Range

-65 – 150 °C[-85 – 302 °F]

### Operation/Application

Compatible With Wire Base Material

Copper

### Industry Standards

Government Qualified Splice

No

### Other

EU RoHS Compliance

Compliant

EU ELV Compliance

Compliant

### Product Compliance

For compliance documentation, visit the product page on TE.com>

EU RoHS Directive 2011/65/EU

Compliant

EU ELV Directive 2000/53/EC

Compliant

China RoHS 2 Directive MIIT Order No 32, 2016

No Restricted Materials Above Threshold

EU REACH Regulation (EC) No. 1907/2006

Current ECHA Candidate List: JUNE 2024 (241)  
Candidate List Declared Against: JUNE 2024 (241)

Does not contain REACH SVHC

Halogen Content

Low Halogen - Br, Cl, F, I < 900 ppm per homogenous material. Also BFR/CFR/PVC Free

Solder Process Capability

Not reviewed for solder process capability

Product Compliance Disclaimer

This information is provided based on reasonable inquiry of our suppliers and represents our current actual knowledge based on the information they provided. This information is subject to change. The part numbers that TE has identified as EU RoHS compliant have a maximum concentration of 0.1% by weight in homogenous materials for lead, hexavalent chromium, mercury, PBB, PBDE, DBP, BBP, DEHP, DIBP, and 0.01% for cadmium, or qualify for an exemption to these limits as defined in the Annexes of Directive 2011/65/EU (RoHS2). Finished electrical and electronic equipment products will be CE marked as required by Directive 2011/65/EU. Components may not be CE marked. Additionally, the part numbers that TE has identified as EU ELV compliant have a maximum concentration of 0.1% by weight in homogenous materials for lead, hexavalent chromium, and mercury, and 0.01% for cadmium, or qualify for an exemption to these limits as defined in the Annexes of Directive 2000/53/EC (ELV). Regarding the REACH Regulation, the information TE provides on SVHC in articles for this part number is based on the latest European Chemicals Agency (ECHA) 'Guidance on requirements for substances in articles' posted at this URL: <https://echa.europa.eu/guidance-documents/guidance-on-reach>

## Compatible Parts



TE Part # 626584-1  
SPLICE 1500/5000 CMA BR



TE Part # 42627-4  
SPLICE 3232-8282 .0198 NPST



TE Part # 140792-2  
SPLICE 5000-12000 0.63MM TPBR



TE Part # 626363-1  
SPLICE



TE Part # 963921-1  
STOSSVERBINDER



TE Part # 63625-1  
SPLICE 5000-16000 .025 BR



TE Part # 963920-1  
BUTT SPLICE LP 0.2-0.5 MM2 PTP CUSN4



TE Part # 963922-1  
BUTT SPLICE LP 1.0-2.5 MM2 PTP CUSN4



TE Part # 160644-3  
SPLICE 20-15 AWG .016 TPBR

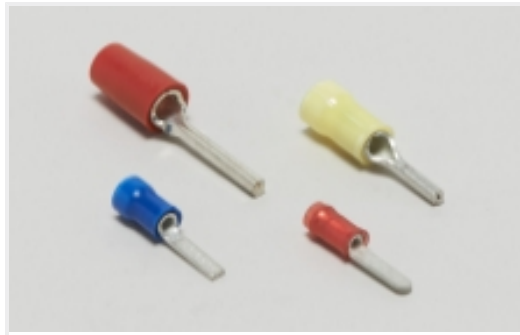


TE Part # 41276  
IDENTIFICATION BAND AL



TE Part # 626207-1  
SPECIAL SPLICE 20-18 AWG LATAO

## Also in the Series | SPLICE

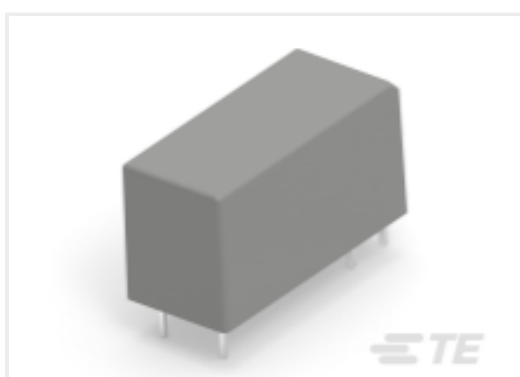


Crimp Wire Pins, Tabs & Ferrules(1)

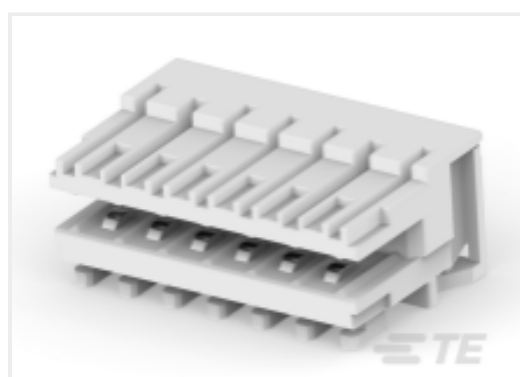


Splices(63)

## Customers Also Bought



TE Part #2071452-7  
RZHH-1A4-D012-R0001 (TES)



TE Part #1-2304525-6  
AMP DUOPLUG MK2 CONNECTOR 6P



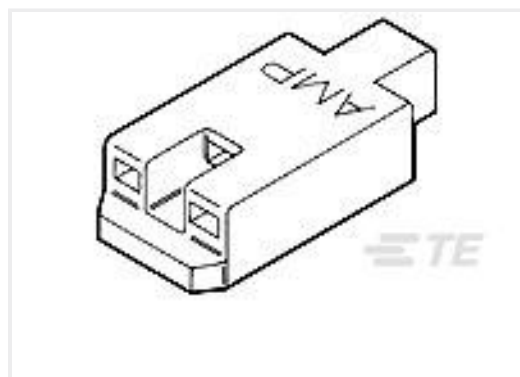
TE Part #6-2338183-4  
EP 2.5 HOUSING 4P, YELLOW, UL version



TE Part #8-180984-2  
250 FASTON BOOT FLAG REC. 1P NATURAL



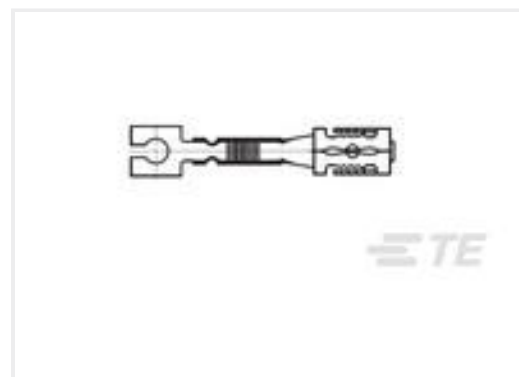
TE Part #1217186-1  
CLUSTER BLOCK HOUSING



TE Part #1217200-1  
CLUSTER BLOCK HOUSING



TE Part #2385533-2  
2P DR PLUG VAL-U-LOK PM GWT plus TPA



TE Part #1494211-1  
SIZE(2.8) AMPLIVAR FASTON REC-P



TE Part #1742404-1  
PIN,090 DIAM,500 SERIES,MAG-MA



TE Part #140523  
RT .171 DIA TERMINAL 20-16 AWG BR

## Documents

[Product Drawings](#)  
[STANDARD SPLICE](#)

English

[CAD Files](#)  
[3D PDF](#)  
3D



**Customer View Model**

[ENG\\_CVM\\_CVM\\_626315-1\\_D\\_c-626315-1-d.2d\\_dxf.zip](#)

English

**Customer View Model**

[ENG\\_CVM\\_CVM\\_626315-1\\_D\\_c-626315-1-d.3d\\_igs.zip](#)

English

**Customer View Model**

[ENG\\_CVM\\_CVM\\_626315-1\\_D\\_c-626315-1-d.3d\\_stp.zip](#)

English

By downloading the CAD file I accept and agree to the [Terms and Conditions](#) of use.

**Product Specifications**

[Application Specification](#)

English