

62613-3 ✓ ACTIVE

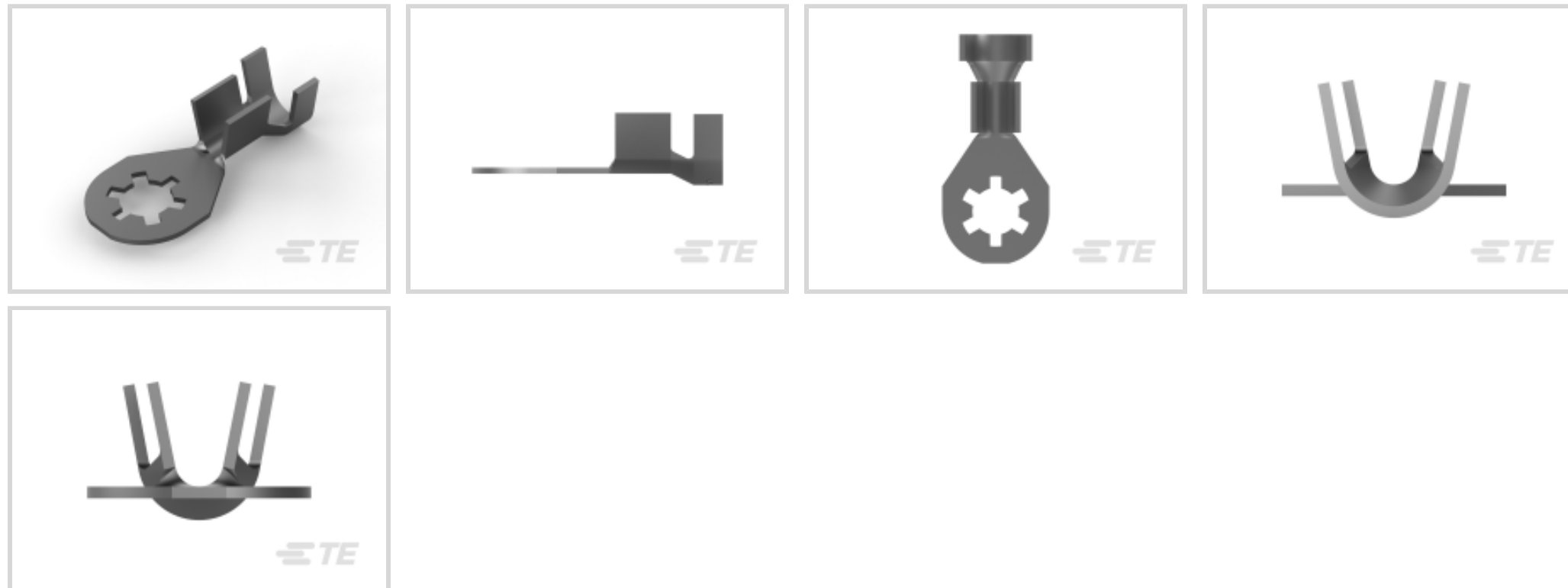
TE Internal #: 62613-3

Closed Ring Tongue Terminal, 12 – 10 AWG, #10 Stud, 4.82 mm [.19 in] Stud Diameter, Open Barrel, Straight, Tin Plating, Uninsulated

[View on TE.com >](#)



Terminals & Splices > Ring Terminals



Ring Terminal Product Type: Closed Ring Tongue Terminal

Wire Size: 6529 – 10382 CMA

Stud Size: #10

Features

Configuration Features

Number of Holes	1
-----------------	---

Mechanical Attachment

Wire Insulation Support	With
-------------------------	------

Industry Standards

Government Qualified Terminal	No
-------------------------------	----

Packaging Features

Packaging Quantity	1800
Packaging Method	Strip/Reel

Contact Features

Contact Base Material	Copper
Barrel Type	Open
Terminal Orientation	Straight
Terminal Plating Material	Tin
Contact Underplating Material	None

Dimensions

	.125 in
--	---------



Wire Size	6529 – 10382 CMA
Stud Diameter	4.82 mm [.19 in]
Tongue Thickness	.61 mm [.024 in]
Product Length	25.14 mm [.99 in]
Barrel Inside Diameter	5.25 mm, 2.54 mm [.1 in] [.207 in]
Compatible Insulation Diameter (Max)	5.59 mm [.22 in]
Compatible Insulation Diameter Range	3.18 – 5.59 mm [.125 – .22 in]

Product Type Features

Shape Description	Anti-Rotational/Grounding
Ring Terminal Product Type	Closed Ring Tongue Terminal
Stud Size	#10
Sealable	No
Compatible With Discrete Wire Type	Stranded
Wire Insulation Support Retention Type	Insulation Support

Usage Conditions

Insulation Option	Uninsulated
Operating Temperature Range	-40 – 110 °C [-40 – 230 °F]

Operation/Application

Compatible With Wire Base Material	Copper
------------------------------------	--------

Other

EU RoHS Compliance	Compliant
EU ELV Compliance	Compliant

Product Compliance

[For compliance documentation, visit the product page on TE.com>](#)

EU RoHS Directive 2011/65/EU	Compliant
EU ELV Directive 2000/53/EC	Compliant
China RoHS 2 Directive MIIT Order No 32, 2016	No Restricted Materials Above Threshold
EU REACH Regulation (EC) No. 1907/2006	Current ECHA Candidate List: JUNE 2024 (241) Candidate List Declared Against: JUNE 2024 (241) Does not contain REACH SVHC
Halogen Content	Low Halogen - Br, Cl, F, I < 900 ppm per

homogenous material. Also BFR/CFR/PVC Free

Solder Process Capability

Not applicable for solder process capability

Product Compliance Disclaimer

This information is provided based on reasonable inquiry of our suppliers and represents our current actual knowledge based on the information they provided. This information is subject to change. The part numbers that TE has identified as EU RoHS compliant have a maximum concentration of 0.1% by weight in homogenous materials for lead, hexavalent chromium, mercury, PBB, PBDE, DBP, BBP, DEHP, DIBP, and 0.01% for cadmium, or qualify for an exemption to these limits as defined in the Annexes of Directive 2011/65/EU (RoHS2). Finished electrical and electronic equipment products will be CE marked as required by Directive 2011/65/EU. Components may not be CE marked. Additionally, the part numbers that TE has identified as EU ELV compliant have a maximum concentration of 0.1% by weight in homogenous materials for lead, hexavalent chromium, and mercury, and 0.01% for cadmium, or qualify for an exemption to these limits as defined in the Annexes of Directive 2000/53/EC (ELV). Regarding the REACH Regulation, the information TE provides on SVHC in articles for this part number is based on the latest European Chemicals Agency (ECHA) 'Guidance on requirements for substances in articles' posted at this URL: <https://echa.europa.eu/guidance-documents/guidance-on-reach>

Compatible Parts



TE Part # 2151343-2
OCEAN_2.0_APPLICATOR-S-180F280FA-RSA



TE Part # 2151343-1
OCEAN_2.0_APPLICATOR-S-180F280F-RSM



TE Part # 346100-4
Ring-Tongue A6-1, similar to DIN 46225

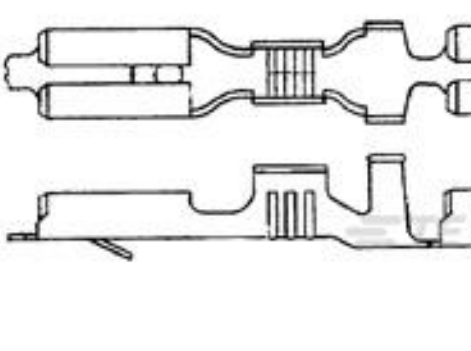
Customers Also Bought



TE Part # 2390328-1
Socket, Contact, 3.6 Dia BOT



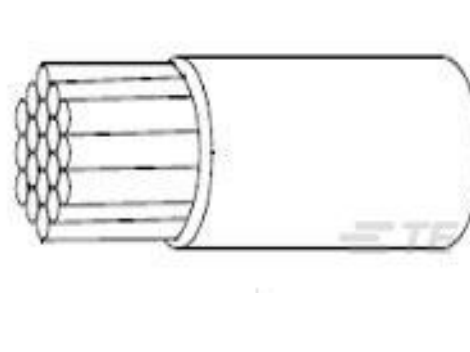
TE Part # 806604-000
222A132-25-0



TE Part # 170042-1
FF 110 REC 20-16AWG BR



TE Part # 3-520140-2
ULTRA-FAST 250 ASY REC 16-14 AWG TPBR



TE Part # 216202-001
22759/32-22-0



TE Part # 3-643814-7
07P MTA100 CONN ASSY POL RIB



TE Part # 2-326875-1
TERMINAL, PIDG R 26-22 6



TE Part # 2399991-1
KIT, 2P RECPT DOCKING, BOT



TE Part #1-1423673-3
W51-A122B1-15=CKTBKR,THERM,ROC



TE Part #327902-1
BUDG,12-10,10 HOOK (TAPE)

Documents

Product Drawings

[RING .190 12-10 AWG 024 TPCU](#)

English

CAD Files

Customer View Model

[ENG_CVM_CVM_62613-3_P.2d_dxf.zip](#)

English

[3D PDF](#)

3D

Customer View Model

[ENG_CVM_CVM_62613-3_P.3d_igs.zip](#)

English

Customer View Model

[ENG_CVM_CVM_62613-3_P.3d_stp.zip](#)

English

By downloading the CAD file I accept and agree to the [Terms and Conditions](#) of use.

Product Specifications

[Engineering Report](#)

English