

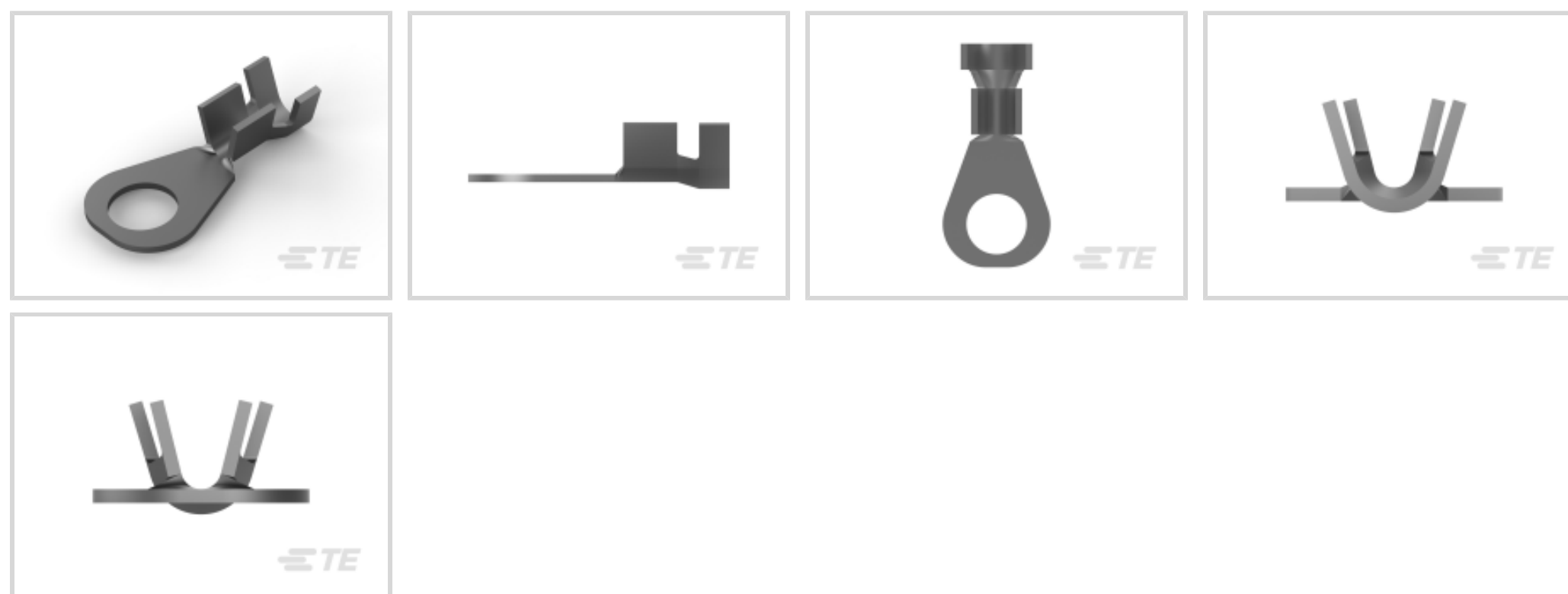
TE Internal #: 626033-2

Closed Ring Tongue Terminal, 17 – 13 AWG, #10 Stud, 5.3 mm [.209 in] Stud Diameter, Open Barrel, Straight, Tin Plating, Uninsulated

[View on TE.com >](#)



Terminals & Splices > Ring Terminals



Ring Terminal Product Type: **Closed Ring Tongue Terminal**

Wire Size: **2048 – 5178 CMA**

Stud Size: **#10**

Features

Product Type Features

Shape Description	RING-001
Terminal Features	Sheared
Ring Terminal Product Type	Closed Ring Tongue Terminal
Stud Size	#10
Sealable	No
Compatible With Discrete Wire Type	Stranded
Wire Insulation Support Retention Type	Insulation Support

Configuration Features

Number of Holes	1
-----------------	---

Body Features

Product Weight	1.273 g
----------------	---------

Contact Features

Barrel Type	Open
Terminal Orientation	Straight
Terminal Plating Material	Tin

Mechanical Attachment



Wire Insulation Support	With
-------------------------	------

Dimensions

Wire Size	2048 – 5178 CMA
Stud Diameter	5.3 mm [.209 in]
Tongue Thickness	.6 mm [.023 in]
Product Length	19.8 mm [.779 in]
Barrel Inside Diameter	1.78 mm, 3.43 mm [.07 in] [.135 in]
Compatible Insulation Diameter (Max)	3.81 mm [.15 in]
Compatible Insulation Diameter Range	2.2 – 3.8 mm [.087 – .15 in]

Usage Conditions

Insulation Option	Uninsulated
Operating Temperature Range	-40 – 105 °C [-40 – 221 °F]

Operation/Application

Compatible With Wire Base Material	Copper
------------------------------------	--------

Industry Standards

Government Qualified Terminal	No
-------------------------------	----

Packaging Features

Packaging Quantity	10000
Packaging Method	Strip/Reel

Product Compliance

[For compliance documentation, visit the product page on TE.com>](#)

EU RoHS Directive 2011/65/EU	Compliant
EU ELV Directive 2000/53/EC	Compliant
China RoHS 2 Directive MIIT Order No 32, 2016	有害物质含量符合标准要求 No Restricted Substance(s) Above Threshold
EU REACH Regulation (EC) No. 1907/2006	Current ECHA Candidate List: JUNE 2025 (250) Candidate List Declared Against: JUNE 2025 (250) Does not contain REACH SVHC
Halogen Content	Low Halogen - Br, Cl, F < 900 ppm per homogenous material. Also BFR/CFR/PVC Free

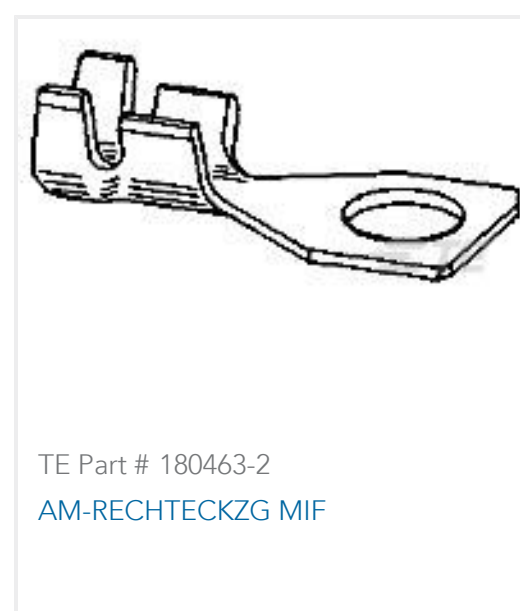
Solder Process Capability

Not applicable for solder process capability

Product Compliance Disclaimer

This information is provided based on reasonable inquiry of our suppliers and represents our current actual knowledge based on the information they provided. This information is subject to change. The part numbers that TE has identified as EU RoHS compliant have a maximum concentration of 0.1% by weight in homogenous materials for lead, hexavalent chromium, mercury, PBB, PBDE, DBP, BBP, DEHP, DIBP, and 0.01% for cadmium, or qualify for an exemption to these limits as defined in the Annexes of Directive 2011/65/EU (RoHS2). Finished electrical and electronic equipment products will be CE marked as required by Directive 2011/65/EU. Components may not be CE marked. Additionally, the part numbers that TE has identified as EU ELV compliant have a maximum concentration of 0.1% by weight in homogenous materials for lead, hexavalent chromium, and mercury, and 0.01% for cadmium, or qualify for an exemption to these limits as defined in the Annexes of Directive 2000/53/EC (ELV). Regarding the REACH Regulation, the information TE provides on SVHC in articles for this part number is based on the latest European Chemicals Agency (ECHA) 'Guidance on requirements for substances in articles' posted at this URL: <https://echa.europa.eu/guidance-documents/guidance-on-reach>

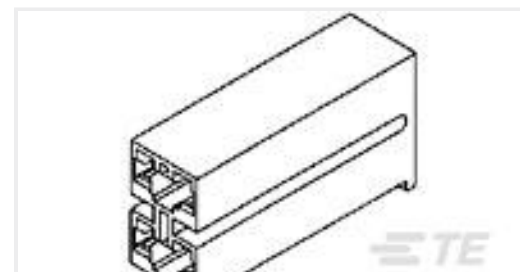
Compatible Parts



Customers Also Bought



TE Part #41800
250 FASTON FLAG REC 18-12 AWG
TPBZ



TE Part #1-172210-1
187 HSG. PL MKII REC. 6mm 2P NAT



TE Part #444334-1
250 FASTON REC 22-18 AWG BR



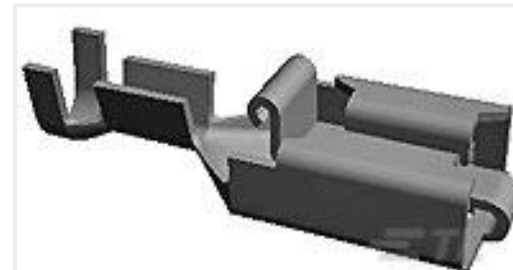
TE Part #626042-2
110 FASTON REC 22-16 AWG TPBR



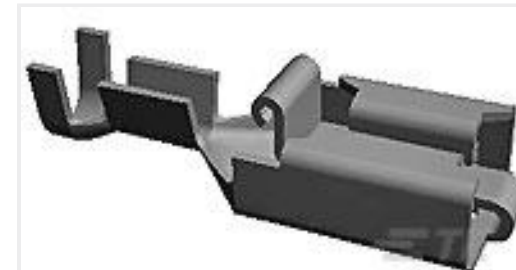
TE Part #3-640599-4
04P MTA156 CONN ASSY 18AWG
ORA



TE Part #735222-1
FF 250 REC 1.0-2.5 MM2 0.32X19.30 BR



TE Part #880645-1
PL REC 1.0-2.5 MM2 0.40 X 52.32 BR



TE Part #880646-1
PL REC 0.5-1.0MM2 0.40 X 52.32 BR



TE Part #1393303-9
V23134B0053C642-EV-CBOX



TE Part #2-1644125-3
SLEEVE ESPRING 250 NYLON DARK
GRY

Documents

CAD Files

3D PDF

3D

Customer View Model

[ENG_CVM_CVM_626033-2_E.2d_dxf.zip](#)

English

Customer View Model

[ENG_CVM_CVM_626033-2_E.3d_igs.zip](#)

English

Customer View Model

[ENG_CVM_CVM_626033-2_E.3d_stp.zip](#)

English

Customer View Model

[ENG_CVM_626033-2_E1.3d_igs.zip](#)

English

Customer View Model

[ENG_CVM_626033-2_E1.3d_stp.zip](#)

English



Customer View Model

[ENG_CVM_626033-2_E1.2d_dxf.zip](#)

English

[3D PDF](#)

English

By downloading the CAD file I accept and agree to the [Terms and Conditions](#) of use.

Product Specifications

[EB**General Application Specification for Open Barrel Terminals](#)

English

[Application Specification](#)

English