

62057-5 ✓ ACTIVE

FASTON | FASTON 250

TE Internal #: 62057-5

Quick Disconnect Receptacle, 12 – 10 AWG, 3.31 – 5.26 mm² Wire, 6.35 mm [.25 in] Tab Width, Flag, Phosphor Bronze, Tin Plating, Strip /Reel, FASTON 250

[View on TE.com >](#)



Terminals & Splices > Quick Disconnects



Quick Disconnect Terminal Type: **Receptacle**

Wire Size: **3.31 – 5.26 mm²**

Mating Tab Width: **6.35 mm [.25 in]**

Mating Tab Thickness: **.81 mm [.032 in]**

Features

Industry Standards

| | |
|---|---------|
| Compatible With Agency/Standards Products | UL, CSA |
|---|---------|

Termination Features

| | |
|-----------------------|--------------|
| Product Terminates To | Wire & Cable |
|-----------------------|--------------|

Configuration Features

| | |
|-----------------------------------|---------------|
| Compatible With Wire & Cable Type | Discrete Wire |
|-----------------------------------|---------------|

| | |
|---------------------|--------|
| Connection Capacity | Single |
|---------------------|--------|

Mechanical Attachment

| | |
|-------------------------|---------|
| Wire Insulation Support | Without |
|-------------------------|---------|

| | |
|-----------------------|--------|
| Mating Retention Type | Dimple |
|-----------------------|--------|

Other

| | |
|------|---------|
| Line | Premier |
|------|---------|

| | |
|--------------------|-----------|
| EU RoHS Compliance | Compliant |
|--------------------|-----------|

| | |
|-------------------|-----------|
| EU ELV Compliance | Compliant |
|-------------------|-----------|

Packaging Features



| | |
|--------------------|------|
| Packaging Quantity | 4000 |
|--------------------|------|

| | |
|------------------|------------|
| Packaging Method | Strip/Reel |
|------------------|------------|

Dimensions

| | |
|----------------|------------------|
| Product Length | 17.02 mm[.67 in] |
|----------------|------------------|

| | |
|-----------------------------|-----------------|
| Terminal Material Thickness | .46 mm[.018 in] |
|-----------------------------|-----------------|

| | |
|-----------|-----------------------------|
| Wire Size | 3.31 – 5.26 mm ² |
|-----------|-----------------------------|

Product Type Features

| | |
|-----------------|-----|
| Insertion Force | Low |
|-----------------|-----|

Contact Features

| | |
|--------------------------------|------------|
| Quick Disconnect Terminal Type | Receptacle |
|--------------------------------|------------|

| | |
|------------------|-----------------|
| Mating Tab Width | 6.35 mm[.25 in] |
|------------------|-----------------|

| | |
|----------------------|-----------------|
| Mating Tab Thickness | .81 mm[.032 in] |
|----------------------|-----------------|

| | |
|----------------------|------|
| Terminal Orientation | Flag |
|----------------------|------|

| | |
|-----------------------|-----------------|
| Contact Base Material | Phosphor Bronze |
|-----------------------|-----------------|

| | |
|---------------------------|-----|
| Terminal Plating Material | Tin |
|---------------------------|-----|

| | |
|------------|---------|
| Crimp Type | Tab-Lok |
|------------|---------|

| | |
|-------------|------|
| Barrel Type | Open |
|-------------|------|

Usage Conditions

| | |
|-------------------|-------------|
| Insulation Option | Uninsulated |
|-------------------|-------------|

| | |
|-----------------------------|----------------------------|
| Operating Temperature Range | -40 – 110 °C[-40 – 230 °F] |
|-----------------------------|----------------------------|

Product Compliance

[For compliance documentation, visit the product page on TE.com>](#)

| | |
|------------------------------|-----------|
| EU RoHS Directive 2011/65/EU | Compliant |
|------------------------------|-----------|

| | |
|-----------------------------|-----------|
| EU ELV Directive 2000/53/EC | Compliant |
|-----------------------------|-----------|

| | |
|---|---|
| China RoHS 2 Directive MIIT Order No 32, 2016 | No Restricted Materials Above Threshold |
|---|---|

| | |
|--|---|
| EU REACH Regulation (EC) No. 1907/2006 | Current ECHA Candidate List: JUNE 2024 (241) Candidate List Declared Against: JUNE 2024 (241) Does not contain REACH SVHC |
|--|---|

| | |
|-----------------|---|
| Halogen Content | Low Halogen - Br, Cl, F, I < 900 ppm per homogenous material. Also BFR/CFR/PVC Free |
|-----------------|---|

| | |
|---------------------------|--|
| Solder Process Capability | Not applicable for solder process capability |
|---------------------------|--|

Product Compliance Disclaimer

This information is provided based on reasonable inquiry of our suppliers and represents our current actual knowledge based on the information they provided. This information is subject to change. The part numbers that TE has identified as EU RoHS compliant have a maximum concentration of 0.1% by weight in homogenous materials for lead, hexavalent chromium, mercury, PBB, PBDE, DBP, BBP, DEHP, DIBP, and 0.01% for cadmium, or qualify for an exemption to these limits as defined in the Annexes of Directive 2011/65/EU (RoHS2). Finished electrical and electronic equipment products will be CE marked as required by Directive 2011/65/EU. Components may not be CE marked. Additionally, the part numbers that TE has identified as EU ELV compliant have a maximum concentration of 0.1% by weight in homogenous materials for lead, hexavalent chromium, and mercury, and 0.01% for cadmium, or qualify for an exemption to these limits as defined in the Annexes of Directive 2000/53/EC (ELV). Regarding the REACH Regulation, the information TE provides on SVHC in articles for this part number is based on the latest European Chemicals Agency (ECHA) 'Guidance on requirements for substances in articles' posted at this URL: <https://echa.europa.eu/guidance-documents/guidance-on-reach>

Compatible Parts



TE Part # 62056-7
250 FASTON FLAG REC 18-12 AWG
TPBZ



TE Part # 61187-1
250 FASTON FLAG REC 12-10 AWG
PHBZ



TE Part # 62056-6
250 FASTON FLAG REC 18-12 AWG
TPBZ

Also in the Series | **FASTON 250**

Compression Connectors(4)



Crimp Terminal Housings(118)



Insertion & Extraction Tools(6)



Insulation Boots & Sleeves(16)



PCB Terminals(133)

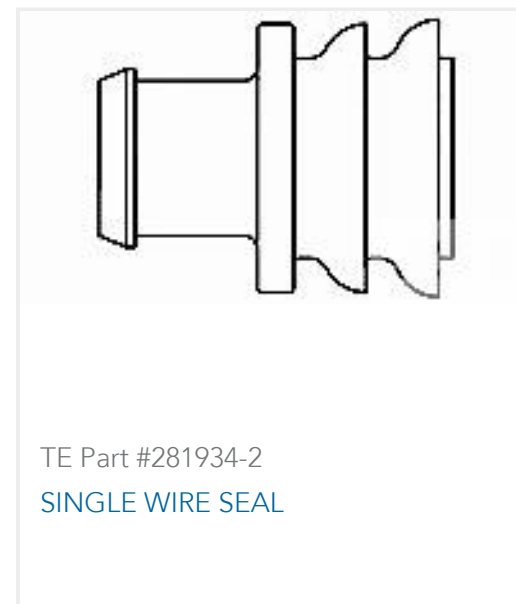
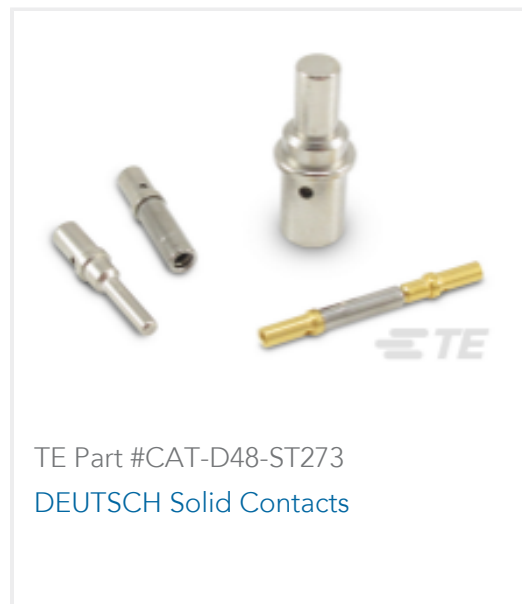


Quick Disconnects(425)



Splices(4)

Customers Also Bought



Documents

Product Drawings

250 FASTON FLAG REC 12-10 AWG TPBZ

English

CAD Files

3D PDF

3D

Customer View Model

[ENG_CVM_CVM_62057-5_AR.2d_dxf.zip](#)

English

Customer View Model

[ENG_CVM_CVM_62057-5_AR.3d_igs.zip](#)

English

Customer View Model

[ENG_CVM_CVM_62057-5_AR.3d_stp.zip](#)

English

By downloading the CAD file I accept and agree to the [Terms and Conditions](#) of use.

Product Specifications

Engineering Report

English

Agency Approvals

UL Report

English