

61674-1 ✓ ACTIVE

TE Internal #: 61674-1

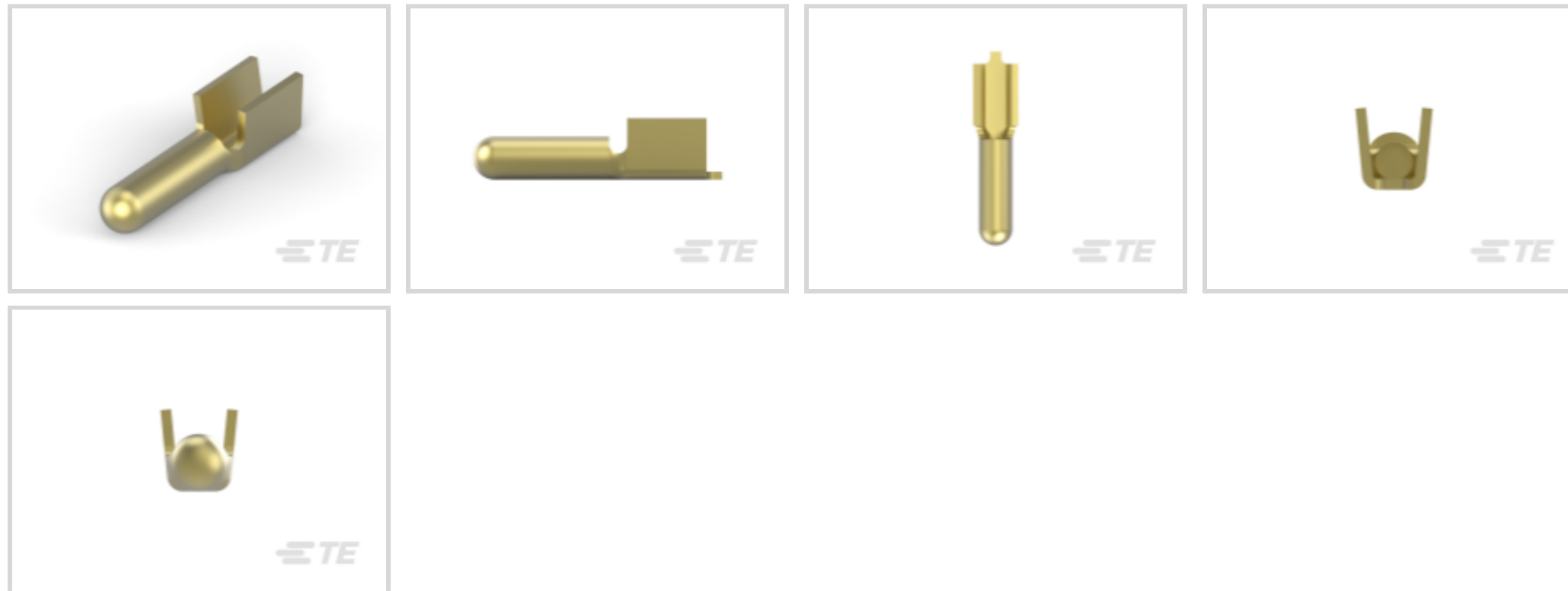
Pin, 2.77 mm [.109 in] Pin Diameter, 28 – 30 AWG, .08 – .034 mm²

Wire, 160 – 100 CMA, Open Barrel, Unplated Plating, 15.11 mm [.595 in] Length, Reel

[View on TE.com >](#)



Terminals & Splices > Crimp Wire Pins, Tabs & Ferrules



Crimp Wire Terminal Type: Pin

Mating Pin Diameter: 2.77 mm [.109 in]

Compatible Insulation Diameter Range: 2.16 mm [.085 in]

Wire Size: .08 – .034 mm²

Features

Packaging Features

| | |
|--------------------|-------|
| Packaging Quantity | 10000 |
| Packaging Method | Reel |

Product Type Features

| | |
|------------------------------------|-----------------|
| Compatible With Discrete Wire Type | Solid, Stranded |
|------------------------------------|-----------------|

Configuration Features

| | |
|-----------------------------------|-----------|
| Compatible With Wire & Cable Type | Flat Wire |
|-----------------------------------|-----------|

Contact Features

| | |
|---------------------------|-------------------|
| Crimp Wire Terminal Type | Pin |
| Mating Pin Diameter | 2.77 mm [.109 in] |
| Barrel Type | Open |
| Terminal Plating Material | Unplated |
| Contact Shape & Form | Round |
| Terminal Orientation | Straight |

Mechanical Attachment

| | |
|-------------------------|------|
| Wire Insulation Support | With |
|-------------------------|------|



Dimensions

| | |
|--------------------------------------|-------------------|
| Compatible Insulation Diameter Range | 2.16 mm[.085 in] |
| Wire Size | 160 – 100 CMA |
| Barrel Inside Diameter | 2.03 mm[.08 in] |
| Terminal Material Thickness | .5 mm[.02 in] |
| Overall Product Length | 15.11 mm[.595 in] |

Usage Conditions

| | |
|-------------------|-------------|
| Insulation Option | Uninsulated |
|-------------------|-------------|

Other

| | |
|--------------------|-----------|
| EU RoHS Compliance | Compliant |
| EU ELV Compliance | Compliant |

Product Compliance

[For compliance documentation, visit the product page on TE.com>](#)

| | |
|---|---|
| EU RoHS Directive 2011/65/EU | Compliant |
| EU ELV Directive 2000/53/EC | Compliant |
| China RoHS 2 Directive MIIT Order No 32, 2016 | No Restricted Materials Above Threshold |
| EU REACH Regulation (EC) No. 1907/2006 | Current ECHA Candidate List: JUNE 2024 (241) Candidate List Declared Against: JUNE 2024 (241) Does not contain REACH SVHC |
| Halogen Content | Low Halogen - Br, Cl, F, I < 900 ppm per homogenous material. Also BFR/CFR/PVC Free |
| Solder Process Capability | Not applicable for solder process capability |

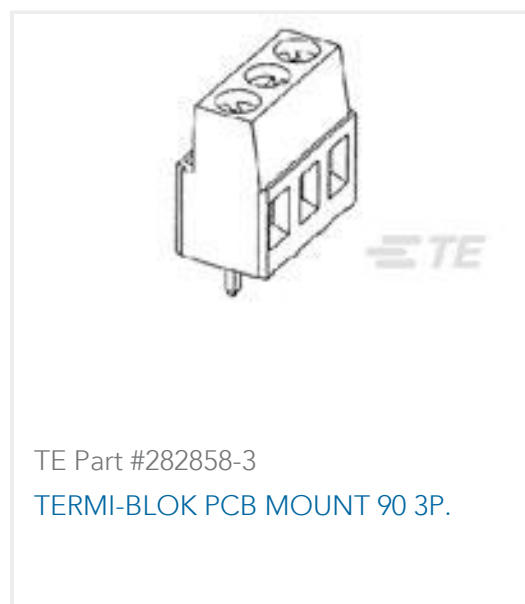
Product Compliance Disclaimer

This information is provided based on reasonable inquiry of our suppliers and represents our current actual knowledge based on the information they provided. This information is subject to change. The part numbers that TE has identified as EU RoHS compliant have a maximum concentration of 0.1% by weight in homogenous materials for lead, hexavalent chromium, mercury, PBB, PBDE, DBP, BBP, DEHP, DIBP, and 0.01% for cadmium, or qualify for an exemption to these limits as defined in the Annexes of Directive 2011/65/EU (RoHS2). Finished electrical and electronic equipment products will be CE marked as required by Directive 2011/65/EU. Components may not be CE marked. Additionally, the part numbers that TE has identified as EU ELV compliant have a maximum concentration of 0.1% by weight in homogenous materials for lead, hexavalent chromium, and mercury, and 0.01% for cadmium, or qualify for an exemption to these limits as defined in the Annexes of Directive 2000/53/EC (ELV). Regarding the REACH Regulation, the information TE provides on SVHC in articles for this part number is based on the latest European Chemicals Agency (ECHA) 'Guidance on requirements for substances in articles' posted at this URL: <https://echa.europa.eu/guidance-documents/guidance-on-reach>

Compatible Parts



Customers Also Bought





Documents

Product Drawings

[PIN .109 .085 X .035 FLAT WIRE BR](#)

English

CAD Files

[3D PDF](#)

3D

Customer View Model

[ENG_CVM_CVM_61674-1_G.2d_dxf.zip](#)

English

Customer View Model

[ENG_CVM_CVM_61674-1_G.3d_igs.zip](#)

English

Customer View Model

[ENG_CVM_CVM_61674-1_G.3d_stp.zip](#)

English

By downloading the CAD file I accept and agree to the [Terms and Conditions](#) of use.

Product Specifications

[Application Specification](#)

English

[Pin Receptacle Contact With Closed Seam](#)

English