

# CGPT-6.4/3.2-1-SP ✓ ACTIVE

RAYCHEM | RAYCHEM CGPT

TE Internal #: 6155214002

Heat Shrink Tubing, Brown, 2:1, Single Wall Tubing, Shrinks To 3.2 mm [.126 in], Irradiated Modified Polyolefin, RAYCHEM CGPT

[View on TE.com >](#)



Heat Shrink Tubing > CGPT 2:1 Heat Shrink Tubing



Tubing Product Type: **Heat Shrink Tubing**

Primary Product Color: **Brown**

Shrink Ratio: **2:1**

Wall Type: **Single Wall**

Recovered Inside Diameter (Max): **3.2 mm [.126 in]**

[All CGPT 2:1 Heat Shrink Tubing \(257\)](#)

## Features

### Electrical Characteristics

Operating Voltage (Max)	.6 kV
-------------------------	-------

### Usage Conditions

Shrink Temperature (Min)	80 °C
Tubing Flammability Type	Flame-Retardant
Operating Temperature Range	-40 – 135 °C
Recovery Temperature	120 °C

### Dimensions

Recovered Wall Thickness (Nominal)	.65 mm[.026 in]
Recovered Wall Thickness (Tolerance)	.15 mm[.006 in]
Recovered Inside Diameter (Max)	3.2 mm[.126 in]
Expanded Inside Diameter (Min)	6.4 mm[.252 in]
Tubing Size Range	3.2 – 6.4 mm[.126 – .252 in]

### Body Features

Fluid Type	Lubricating Oil, Hydraulic Fluid, Gasoline
Primary Product Color	Brown
Shrink Ratio	2:1



Primary Product Material	Irradiated Modified Polyolefin
--------------------------	--------------------------------

Flexibility	Flexible
-------------	----------

### Product Type Features

Tubing Product Type	Heat Shrink Tubing
---------------------	--------------------

Wall Type	Single Wall
-----------	-------------

### Packaging Features

Packaging Method	Box
------------------	-----

### Operation/Application

Mechanical Resistance	Mechanical Damage, Strain Relief, Fluids
-----------------------	--

### Product Availability

Applicable Region	EMEA, Asia
-------------------	------------

### Other

Meets Low Outgassing Requirements	No
-----------------------------------	----

Product Source	Czech Republic
----------------	----------------

EU RoHS Compliance	Compliant
--------------------	-----------

EU ELV Compliance	Compliant
-------------------	-----------

### Product Compliance

[For compliance documentation, visit the product page on TE.com>](#)

EU RoHS Directive 2011/65/EU	Compliant
------------------------------	-----------

EU ELV Directive 2000/53/EC	Compliant
-----------------------------	-----------

China RoHS 2 Directive MIIT Order No 32, 2016	No Restricted Materials Above Threshold
---	---

EU REACH Regulation (EC) No. 1907/2006	Current ECHA Candidate List: JUNE 2024 (241) Candidate List Declared Against: JUNE 2024 (241) Does not contain REACH SVHC
--	---

Halogen Content	Not Low Halogen - contains Br or Cl > 900 ppm.
-----------------	--

Solder Process Capability	Not applicable for solder process capability
---------------------------	--

#### Product Compliance Disclaimer

This information is provided based on reasonable inquiry of our suppliers and represents our current actual knowledge based on the information they provided. This information is subject to change. The part numbers that TE has identified as EU RoHS compliant have a maximum concentration of 0.1% by weight in homogenous materials for lead, hexavalent chromium, mercury, PBB, PBDE, DBP, BBP, DEHP, DIBP, and 0.01% for cadmium, or qualify for an exemption to these limits as defined in the Annexes of Directive 2011/65/EU (RoHS2). Finished electrical and electronic equipment products



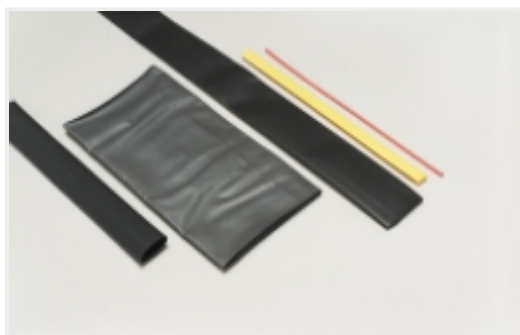
will be CE marked as required by Directive 2011/65/EU. Components may not be CE marked. Additionally, the part numbers that TE has identified as EU ELV compliant have a maximum concentration of 0.1% by weight in homogenous materials for lead, hexavalent chromium, and mercury, and 0.01% for cadmium, or qualify for an exemption to these limits as defined in the Annexes of Directive 2000/53/EC (ELV). Regarding the REACH Regulation, the information TE provides on SVHC in articles for this part number is based on the latest European Chemicals Agency (ECHA) 'Guidance on requirements for substances in articles' posted at this URL: <https://echa.europa.eu/guidance-documents/guidance-on-reach>

## Compatible Parts



TE Part # EG1114-000  
CV1981-ST-230V1600W-EU

## Also in the Series | RAYCHEM CGPT



Heat Shrink Tubing(342)



Orange Heat Shrink Tubing(1)



Power Cable Tubing & Accessories(8)



Single Wall Tubing(341)

## Customers Also Bought



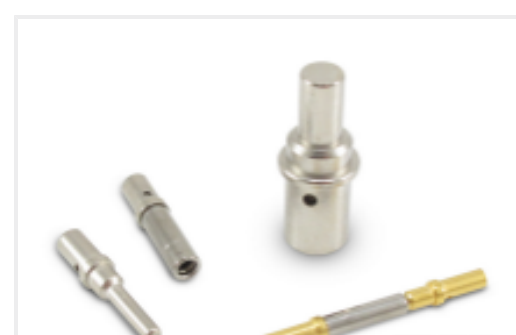
TE Part #DT04-2P  
REC, 2P, GRY, N



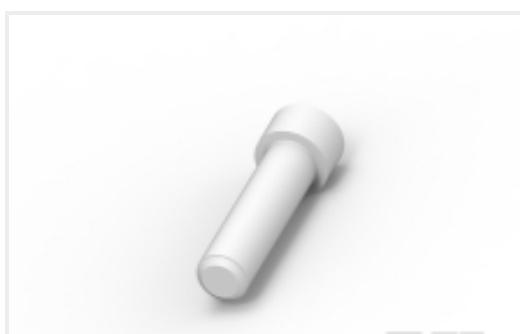
TE Part #DT06-2S  
PLG, 2P, GRY, N



TE Part #CAT-D487-W416  
Wedgelocks: DEUTSCH DT



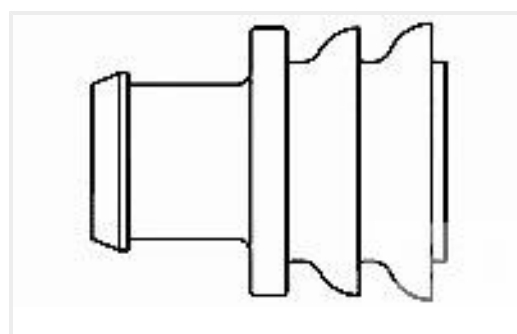
TE Part #CAT-D48-ST273  
DEUTSCH Solid Contacts



TE Part #114017-ZZ  
SEALING PLUG, SIZE 12/16, WHT



TE Part #CAT-AM71-CH8172  
AMP SUPERSEAL 1.5MM,  
CONNECTOR HOUSING



TE Part #281934-2  
SINGLE WIRE SEAL



## Documents

### Product Drawings

[CGPT-6.4/3.2-1-SP](#)

English

---

### Datasheets & Catalog Pages

[cgpt-tubing](#)

English

---

### Product Specifications

[Application Specification](#)

English