

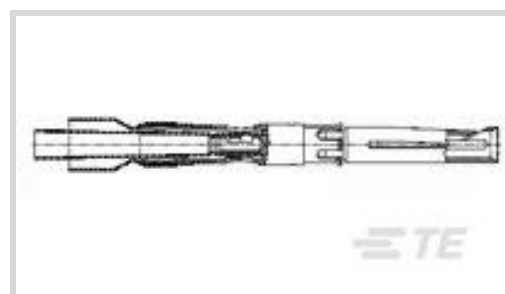
601150-000 ✓ ACTIVE

RAYCHEM

TE Internal #: 601150-000

TE Internal Description: D-602-77

[View on TE.com >](#)



Product Compliance

[For compliance documentation, visit the product page on TE.com>](#)

EU RoHS Directive 2011/65/EU	Not Compliant
EU ELV Directive 2000/53/EC	Not Compliant
China RoHS 2 Directive MIIT Order No 32, 2016	Restricted Materials Above Threshold
EU REACH Regulation (EC) No. 1907/2006	Current ECHA Candidate List: JUNE 2024 (241) Candidate List Declared Against: JUNE 2024 (241) SVHC > Threshold: Pb (37% in Solder) Article Safe Usage Statements: Do not eat, drink or smoke when using this product. Wash thoroughly after handling. Recycle if possible and dispose of the article by following all applicable governmental regulations relevant to your geographic location.
Halogen Content	BFR/CFR/PVC Free, but Br/Cl >900 ppm in other sources.
Solder Process Capability	Not applicable for solder process capability

Product Compliance Disclaimer

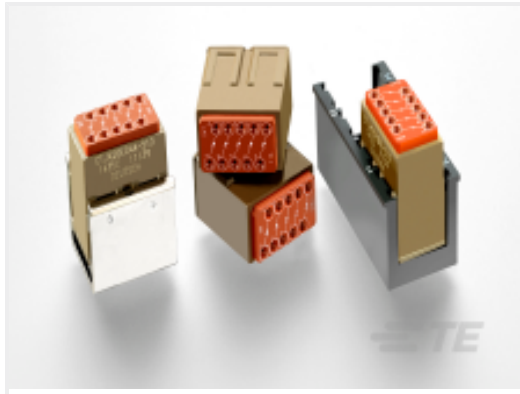
This information is provided based on reasonable inquiry of our suppliers and represents our current actual knowledge based on the information they provided. This information is subject to change. The part numbers that TE has identified as EU RoHS compliant have a maximum concentration of 0.1% by weight in homogenous materials for lead, hexavalent chromium, mercury, PBB, PBDE, DBP, BBP, DEHP, DIBP, and 0.01% for cadmium, or qualify for an exemption to these limits as defined in the Annexes of Directive 2011/65/EU (RoHS2). Finished electrical and electronic equipment products will be CE marked as required by Directive 2011/65/EU. Components may not be CE marked. Additionally, the part numbers that TE has identified as EU ELV compliant have a maximum concentration of 0.1% by weight in homogenous materials for lead, hexavalent chromium, and mercury, and 0.01% for cadmium, or qualify for an exemption to these limits as defined in the Annexes of Directive 2000/53/EC (ELV). Regarding the REACH Regulation, the information TE provides on SVHC in articles for this part number is based on the latest European Chemicals Agency (ECHA) 'Guidance on requirements for substances in articles' posted at this URL: <https://echa.europa.eu/guidance-documents/guidance-on-reach>

Compatible Parts



TE Part # EG8162-000
HL1920E-230V-EURO

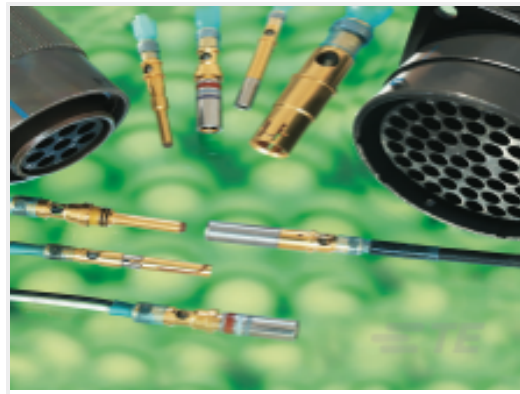
Customers Also Bought



TE Part #CTJ420E109
ELEC MODULE



TE Part #1618222-7
AP10A832=RELAY, VACUUM, SPST-N



TE Part #241611-000
D-602-1116



TE Part #1-1617351-0
JMACDG-18XP=M39016/15-092P



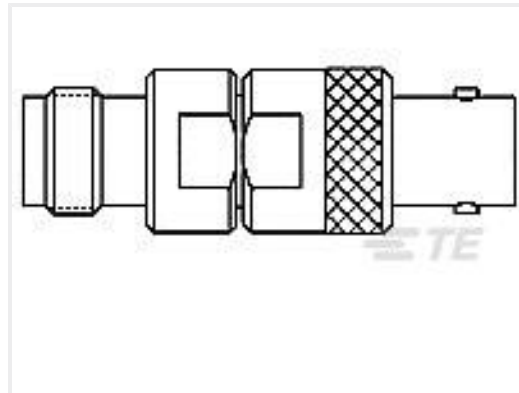
TE Part #1423183-7
7032CDD=RLY,STD,DBH,2P,480VAC



TE Part #9-1393139-4
MDR-7020=MDR



TE Part #1617165-1
JMAWDD-12XP = M39016/20-010P



TE Part #1057845-1
3180 2320 00



TE Part #312053-000
HRM/01-2117



TE Part #YDTS20T13-35PDV001
RECP ASSY

Documents

Product Drawings

[D-602-77](#)

English

Datasheets & Catalog Pages

[1654025_Sec8_D-602](#)

English

Product Specifications

[Termination Procedure for SolderTacts Contacts D-602-76, D-602-77](#)



English