



Switches &gt; Toggle Switches

Configuration (Pole-Throw): **Double Pole - Double Throw**Operating Function: **On None On**Number of Positions: **2**Contact Current Rating: **.4 A**Operating Voltage: **20 VDC**

## Features

### Product Type Features

Sealed Device	Yes
Switch Connection Type	Lead Wire - Hooking Type
Toggle Style	Baton Standard
Switch Type	Toggle Switch

### Configuration Features

Configuration (Pole-Throw)	Double Pole - Double Throw
Operating Function	On None On
Number of Positions	2

### Electrical Characteristics

Contact Resistance	10 mΩ
Insulation Resistance	1000 MΩ
Dielectric Withstanding Voltage (Max)	1500 VAC
Contact Current Rating	.4 A
Operating Voltage	20 VAC

### Body Features

Sealing Method	Rubber O-Ring
Case Color	Black
Product Orientation	Vertical
Bushing Style	Threaded

Bushing Thread Size	M12 x .75
---------------------	-----------

### Contact Features

Contact Base Material	Copper Alloy
Switch Contact Plating Material	Gold

### Mechanical Attachment

Product Mount Type	Panel Mount
--------------------	-------------

### Housing Features

Process Sealed	No
----------------	----

### Dimensions

Toggle Length	10.5 mm [.413 in]
---------------	-------------------

### Industry Standards

UL Flammability Rating	UL 94V-0
------------------------	----------

## Product Compliance

[For compliance documentation, visit the product page on TE.com>](#)

EU RoHS Directive 2011/65/EU	Compliant with Exemptions
EU ELV Directive 2000/53/EC	Compliant
China RoHS 2 Directive MIIT Order No 32, 2016	有害物质含量超出标准 Restricted Substance(s) Above Threshold
EU REACH Regulation (EC) No. 1907/2006	Current ECHA Candidate List: JUNE 2025 (250) Candidate List Declared Against: JUNE 2023 (235) Does not contain REACH SVHC
Halogen Content	Low Halogen - Br, Cl, F < 900 ppm per homogenous material. Also BFR/CFR/PVC Free
Solder Process Capability	Wave solder capable to 265°C

#### Product Compliance Disclaimer

This information is provided based on reasonable inquiry of our suppliers and represents our current actual knowledge based on the information they provided. This information is subject to change. The part numbers that TE has identified as EU RoHS compliant have a maximum concentration of 0.1% by weight in homogenous materials for lead, hexavalent chromium, mercury, PBB, PBDE, DBP, BBP, DEHP, DIBP, and 0.01% for cadmium, or qualify for an exemption to these limits as defined in the Annexes of Directive 2011/65/EU (RoHS2). Finished electrical and electronic equipment products will be CE marked as required by Directive 2011/65/EU. Components may not be CE marked. Additionally, the part numbers that TE has identified as EU ELV compliant have a maximum concentration of 0.1% by weight in homogenous materials for lead, hexavalent chromium, and mercury, and 0.01% for cadmium, or qualify for an exemption to these limits as defined in the Annexes of Directive 2000/53/EC (ELV). Regarding the REACH Regulation, the information TE provides on SVHC in articles for this part number is based on the latest European Chemicals Agency (ECHA) 'Guidance on

requirements for substances in articles' posted at this URL: <https://echa.europa.eu/guidance-documents/guidance-on-reach>

## Compatible Parts



TE Part # 7-6437630-0  
AWTD1504 = POWER TOGGLE



TE Part # 7-6437630-2  
AWTN1504 = POWER TOGGLE



TE Part # 3-6437630-5  
F4TN0904=MINIATURE TOGGLE




TE Part # 2-6437630-0  
FTD0904=MINIATURE TOGGLE



TE Part # 8-6437630-0  
A4TK15W04

## Customers Also Bought



TE Part #YASX002-06PD-HE-R0  
RECEPT ASSY. ASX 6 WAY. DESIGN MKII.



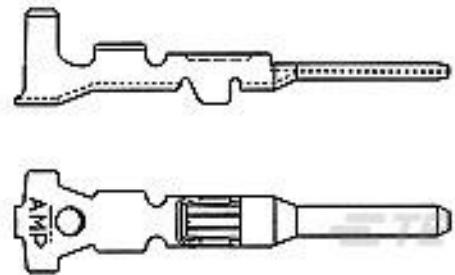
TE Part #ASL606-05PA-HE952K  
PLUG ASSY.MICRO MK3. 952K.FUEL IMMERSIBL



TE Part #40724  
RING 164(4.17 MM) TERMINAL18-14 AWG TPBR



TE Part #1-215083-0  
MICRO-MATCH MOW.10P



TE Part #282109-1  
MINI MIC TAB CONTACT



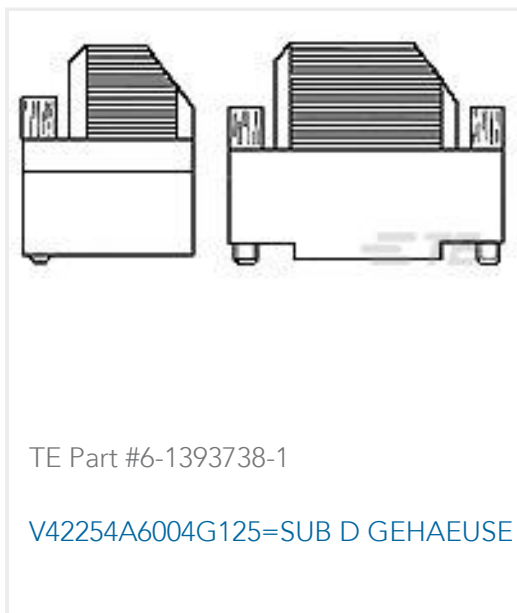
TE Part #794272-1  
03P UMNL WIRE SEAL



TE Part #5-1618274-1  
HC-4/12VDC=RELAY, VACUUM, SPDT



TE Part #1658540-1  
PIN CONT DUPL PLT STRIP HD-20



## Documents

### Product Drawings

[FTN09G04=MINIATURE TOGGLE](#)

English

### CAD Files

[3D PDF](#)

3D

Customer View Model

[ENG\\_CVM\\_CVM\\_6-6437630-8\\_A.2d\\_dxf.zip](#)

English

Customer View Model

[ENG\\_CVM\\_CVM\\_6-6437630-8\\_A.3d\\_igs.zip](#)

English

Customer View Model

[ENG\\_CVM\\_CVM\\_6-6437630-8\\_A.3d\\_stp.zip](#)

English

By downloading the CAD file I accept and agree to the [Terms and Conditions](#) of use.

### Datasheets & Catalog Pages

[SWITCHES\\_CORE\\_PROGRAM\\_CATALOG](#)

English

[F\\_SERIES\\_SWITCHES\\_QUICK\\_REF\\_GUIDE\\_1-1773458-9](#)

English