



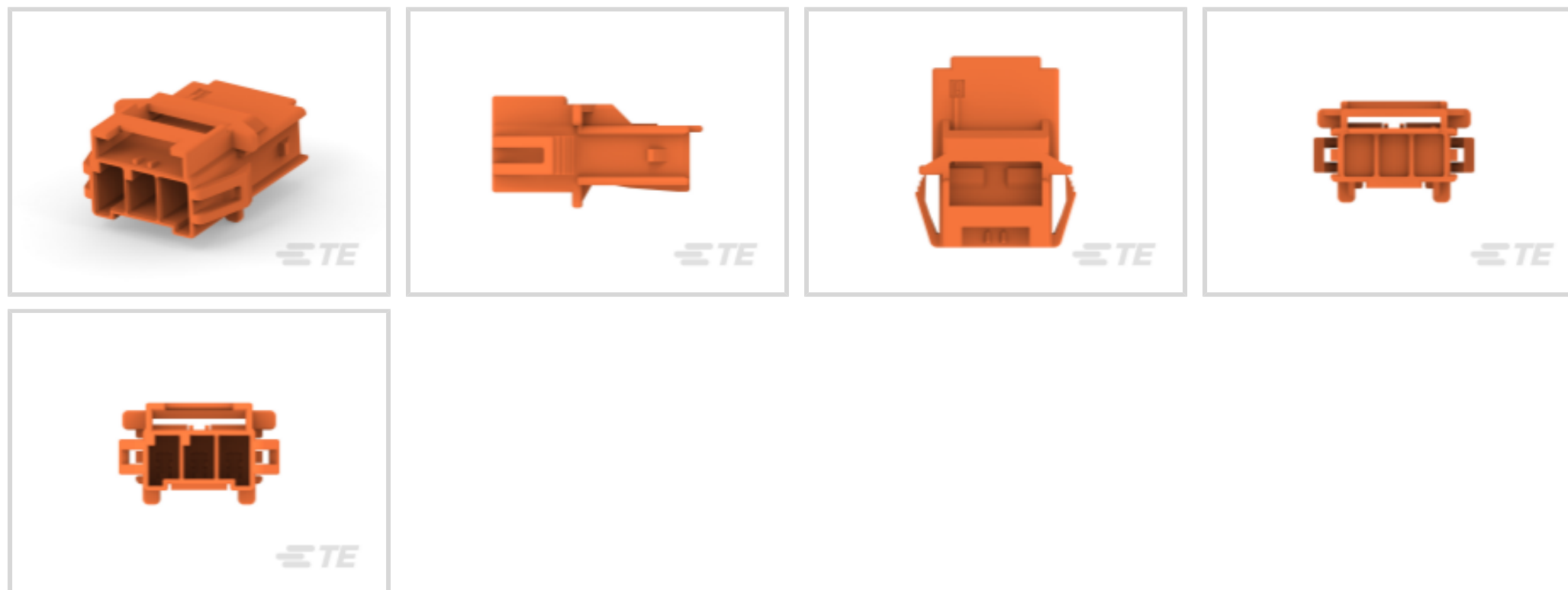
**Power Triple Lock**

TE Internal #: 6-2232263-3

Housing, Cap, Wire-to-Wire, 3 Position, 6 mm [.236 in] Centerline, Wire & Cable, UL 94V-0, Power Triple Lock, Rectangular Power Connectors

[View on TE.com >](#)

Connectors > Power Connectors > Rectangular Power > Rectangular Power Connectors > POWER TRIPLE LOCK: Glow Wire Cap



Rectangular Power Connector Type: **Housing**

Connector & Housing Type: **Cap**

Connector System: **Wire-to-Wire**

Number of Positions: **3**

Centerline (Pitch): **6 mm [.236 in]**

[All POWER TRIPLE LOCK: Glow Wire Cap \(44\)](#)

**Features**

**Body Features**

Connector & Keying Code	B
Cable Exit Angle	180°

**Dimensions**

Panel Thickness (Recommended)	1 – 2 mm [.039 – .079 in]
Connector Height	14.95 mm

**Identification Marking**

Circuit Identification Feature	With
--------------------------------	------

**Contact Features**

Contact Layout	Inline
Contact Retention Within Housing	Without
Contact Type	Tab

**Mechanical Attachment**



Panel Mount Feature	With
Panel Mount Feature Type	Latches
Connector Mounting Type	Panel Mount

### Industry Standards

Compatible With Agency/Standards Products	UL, VDE
UL Rating	Recognized
Compatible With Approved Standards Products	UL E28476
UL Flammability Rating	UL 94V-0
Glow Wire Rating	GWT 750°C (Without Flame)

### Product Type Features

Rectangular Power Connector Type	Housing
Connector & Housing Type	Cap
Connector System	Wire-to-Wire
Sealable	No
Connector & Contact Terminates To	Wire & Cable

### Configuration Features

Number of Positions	3
Number of Power Positions	3
Number of Rows	1

### Electrical Characteristics

Operating Voltage	600 VDC
-------------------	---------

### Termination Features

Termination Method to Wire & Cable	Crimp
------------------------------------	-------

### Housing Features

Centerline (Pitch)	6 mm [.236 in]
Housing Color	Brown
Housing Material	Nylon GF

### Usage Conditions

Operating Temperature Range	-55 – 140 °C [-67 – 284 °F]
-----------------------------	-----------------------------

### Operation/Application

Circuit Application	Power
---------------------	-------

### Packaging Features



Packaging Method	Carton
------------------	--------

**Other**

EU RoHS Compliance	Compliant
EU ELV Compliance	Compliant

**Product Compliance**

[For compliance documentation, visit the product page on TE.com>](#)

EU RoHS Directive 2011/65/EU	Compliant
EU ELV Directive 2000/53/EC	Compliant
China RoHS 2 Directive MIIT Order No 32, 2016	No Restricted Materials Above Threshold
EU REACH Regulation (EC) No. 1907/2006	Current ECHA Candidate List: JUNE 2024 (241) Candidate List Declared Against: JUNE 2024 (241) Does not contain REACH SVHC
Halogen Content	Not Low Halogen - contains Br or Cl > 900 ppm.
Solder Process Capability	Not reviewed for solder process capability

**Product Compliance Disclaimer**

This information is provided based on reasonable inquiry of our suppliers and represents our current actual knowledge based on the information they provided. This information is subject to change. The part numbers that TE has identified as EU RoHS compliant have a maximum concentration of 0.1% by weight in homogenous materials for lead, hexavalent chromium, mercury, PBB, PBDE, DBP, BBP, DEHP, DIBP, and 0.01% for cadmium, or qualify for an exemption to these limits as defined in the Annexes of Directive 2011/65/EU (RoHS2). Finished electrical and electronic equipment products will be CE marked as required by Directive 2011/65/EU. Components may not be CE marked. Additionally, the part numbers that TE has identified as EU ELV compliant have a maximum concentration of 0.1% by weight in homogenous materials for lead, hexavalent chromium, and mercury, and 0.01% for cadmium, or qualify for an exemption to these limits as defined in the Annexes of Directive 2000/53/EC (ELV). Regarding the REACH Regulation, the information TE provides on SVHC in articles for this part number is based on the latest European Chemicals Agency (ECHA) 'Guidance on requirements for substances in articles' posted at this URL: <https://echa.europa.eu/guidance-documents/guidance-on-reach>

**Compatible Parts**



TE Part # CAT-P87074-T111  
Tab Contact — POWER TRIPLE LOCK



TE Part # 1971777-3  
PTL TPA HIGH TEMP 1 x 3 BLACK



TE Part # 1971789-1  
CPA

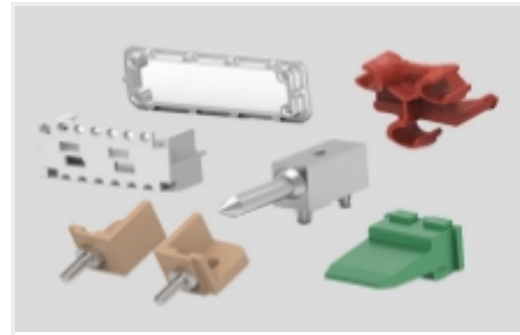


TE Part # 6-2232265-3  
PTL 1X3 PLUG HSG GLW WIRE KEY B BRO

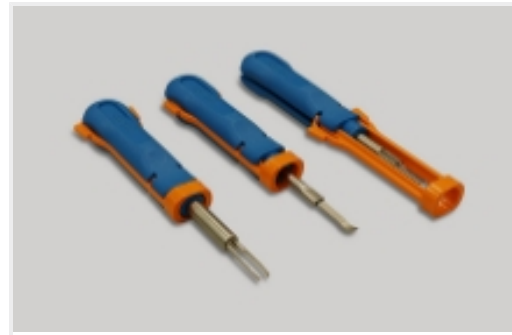
## Also in the Series | Power Triple Lock



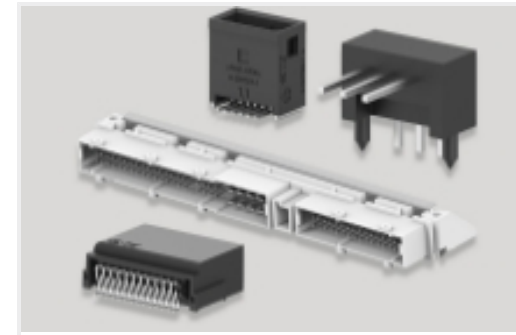
Connector Contacts(26)



Connector Hardware(12)



Insertion & Extraction Tools(1)



PCB Headers & Receptacles(21)



Power Contacts(26)

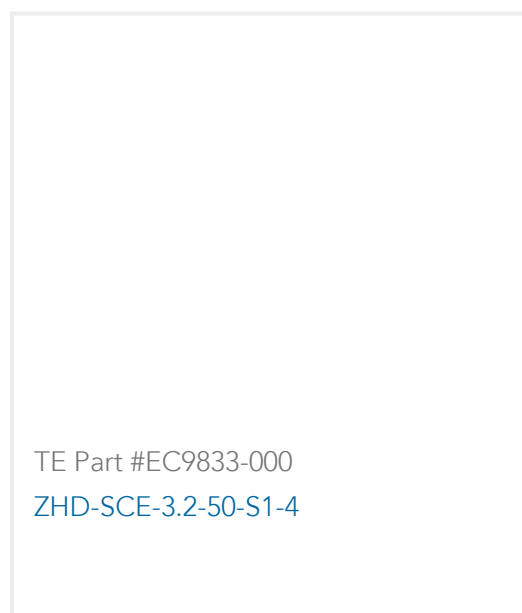


Rectangular Power Connectors(280)



Wire-to-Board Headers & Receptacles (21)

## Customers Also Bought



TE Part #EC9833-000  
ZHD-SCE-3.2-50-S1-4



TE Part #1614770-4  
BDS 2 A 250 10R 10%



TE Part #1-1415543-5  
RTE44110



TE Part #55992-1  
TERMINAL,AMPOWER R 2/0 5/16



TE Part #ASA158F12390235000  
623 PLUG



TE Part #ZPF000000000205388  
CONTACT FEMALE CAL.20, M12 - FXP



TE Part #ZPF000000000205373  
PLUG MALE ANG.90 CAL.20 - FXP



TE Part #ZPF000000000136485  
RECEPTACLE MALE FOR 12 PINS,  
CAL1,6



TE Part #YZ-KC-212751A-PY00  
TOOL DISMOUNTING - FXP2



TE Part #ZPF000000000205378  
CONTACT MALE ANG.90, CAL20,  
120MM2 - FXP



## Documents

### Product Drawings

[PTL 1X3 CAP PANEL MT GLW WIRE KEY B BRO](#)

English

---

### CAD Files

[3D PDF](#)

3D

Customer View Model

[ENG\\_CVM\\_CVM\\_6-2232263-3\\_B.2d\\_dxf.zip](#)

English

Customer View Model

[ENG\\_CVM\\_CVM\\_6-2232263-3\\_B.3d\\_igs.zip](#)

English

Customer View Model

[ENG\\_CVM\\_CVM\\_6-2232263-3\\_B.3d\\_stp.zip](#)

English

By downloading the CAD file I accept and agree to the [Terms and Conditions](#) of use.

---

### Product Specifications

[Application Specification](#)

English

---

### Agency Approvals

[VDE Certificate](#)

English

[VDE Certificate](#)

English