

6-1971775-4 ✓ ACTIVE



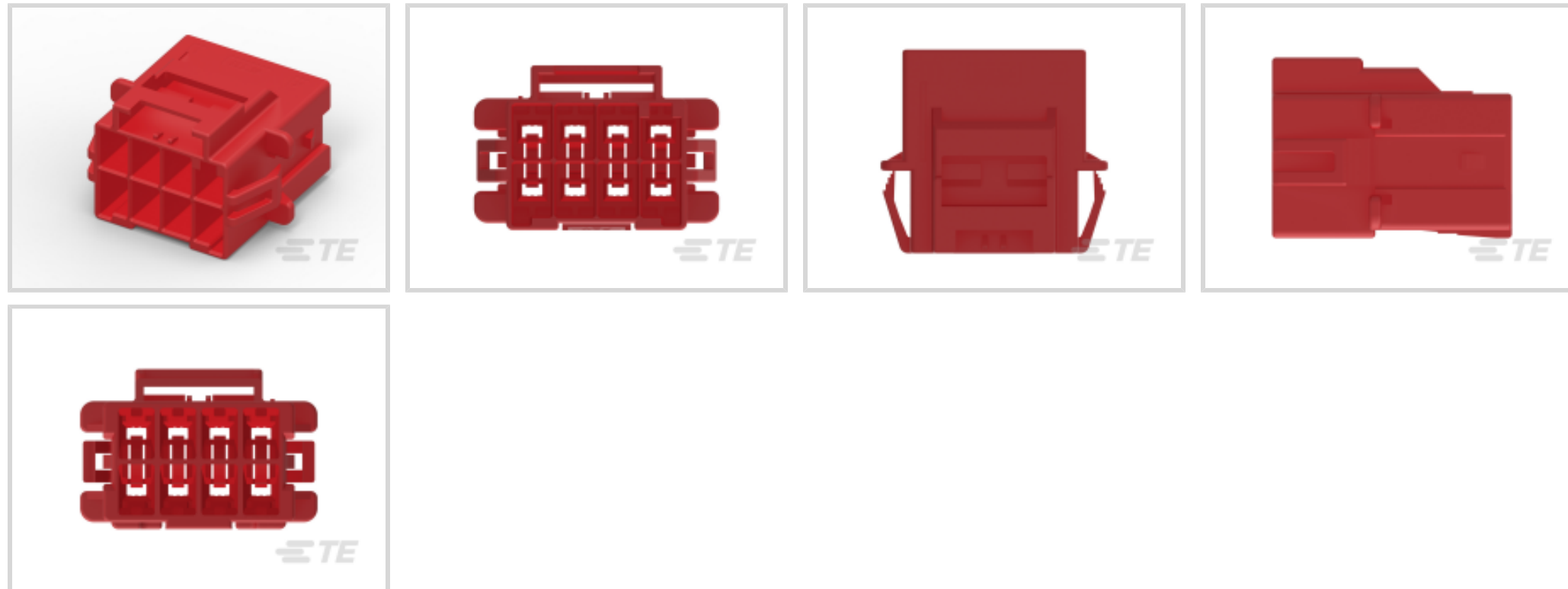
Power Triple Lock

TE Internal #: 6-1971775-4

Housing, Cap, Wire-to-Wire, 8 Position, 6 mm [.236 in] Centerline,
Wire & Cable, UL 94V-0, Power Triple Lock, Rectangular Power
Connectors

[View on TE.com >](#)

Connectors > Power Connectors > Rectangular Power > Rectangular Power Connectors > POWER TRIPLE LOCK High Temperature Caps



Rectangular Power Connector Type: **Housing**

Connector & Housing Type: **Cap**

Connector System: **Wire-to-Wire**

Number of Positions: **8**

Centerline (Pitch): **6 mm [.236 in]**

[All POWER TRIPLE LOCK High Temperature Caps \(44\)](#)

Features

Body Features

Connector & Keying Code	B
Cable Exit Angle	180°

Identification Marking

Circuit Identification Feature	With
--------------------------------	------

Dimensions

Panel Thickness (Recommended)	1 – 2 mm [.039 – .079 in]
Connector Height	23.05 mm
Row-to-Row Spacing	8.1 mm [.319 in]

Contact Features

Contact Layout	Matrix
Contact Retention Within Housing	Without
Contact Type	Tab



Mechanical Attachment

Panel Mount Feature	With
Panel Mount Feature Type	Latches
Connector Mounting Type	Panel Mount

Industry Standards

Compatible With Agency/Standards Products	UL, VDE
UL Rating	Recognized
Glow Wire Material Rating	Material with GWIT \geq 775°C
Compatible With Approved Standards Products	UL E28476
UL Flammability Rating	UL 94V-0
Glow Wire Rating	GWT 850°C (Flame \leq 30 sec)

Product Type Features

Rectangular Power Connector Type	Housing
Connector & Housing Type	Cap
Connector System	Wire-to-Wire
Sealable	No
Connector & Contact Terminates To	Wire & Cable

Configuration Features

Number of Positions	8
Number of Power Positions	8
Number of Rows	2

Electrical Characteristics

Operating Voltage	600 VDC
-------------------	---------

Termination Features

Termination Method to Wire & Cable	Crimp
------------------------------------	-------

Housing Features

Centerline (Pitch)	6 mm [.236 in]
Housing Color	Red
Housing Material	Nylon

Usage Conditions

Operating Temperature Range	-55 – 150 °C [-67 – 302 °F]
-----------------------------	-----------------------------

Operation/Application



Circuit Application

Power

Packaging Features

Packaging Method

Carton

Other

EU RoHS Compliance

Compliant

EU ELV Compliance

Compliant

Product Compliance

[For compliance documentation, visit the product page on TE.com>](#)

EU RoHS Directive 2011/65/EU

Compliant

EU ELV Directive 2000/53/EC

Compliant

China RoHS 2 Directive MIIT Order No 32, 2016

No Restricted Materials Above Threshold

EU REACH Regulation (EC) No. 1907/2006

Current ECHA Candidate List: JUNE 2024 (241)
 Candidate List Declared Against: JUNE 2024 (241)
 Does not contain REACH SVHC

Halogen Content

Low Halogen - Br, Cl, F, I < 900 ppm per homogenous material. Also BFR/CFR/PVC Free

Solder Process Capability

Not reviewed for solder process capability

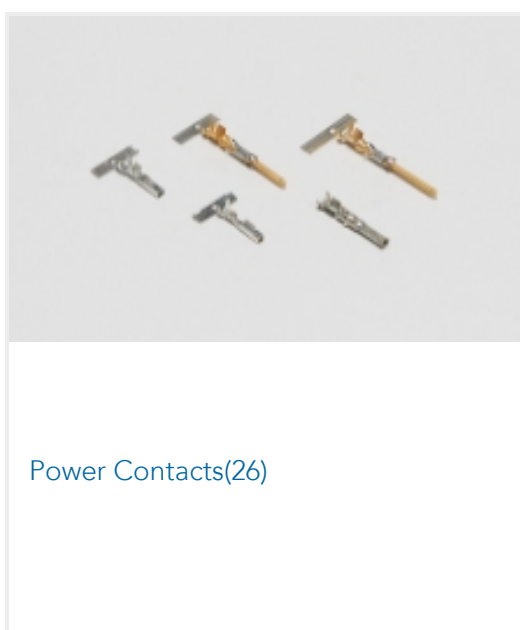
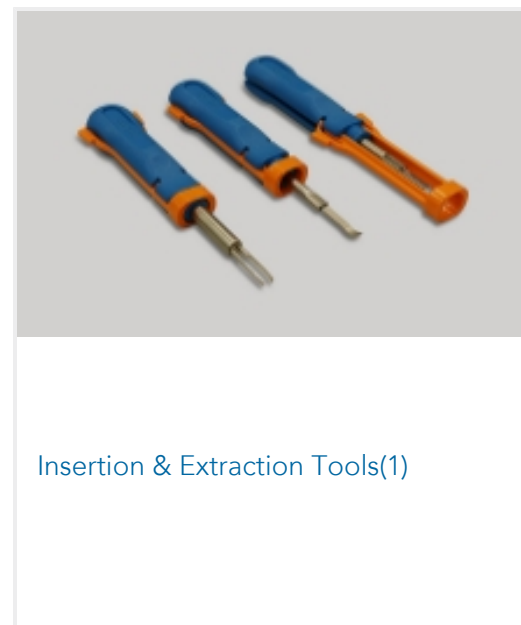
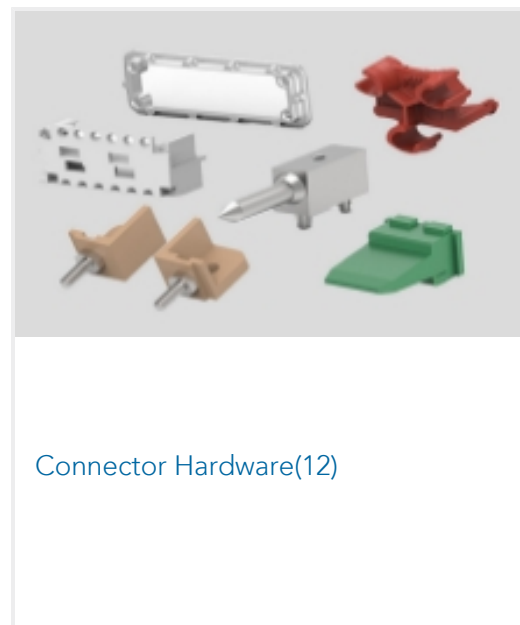
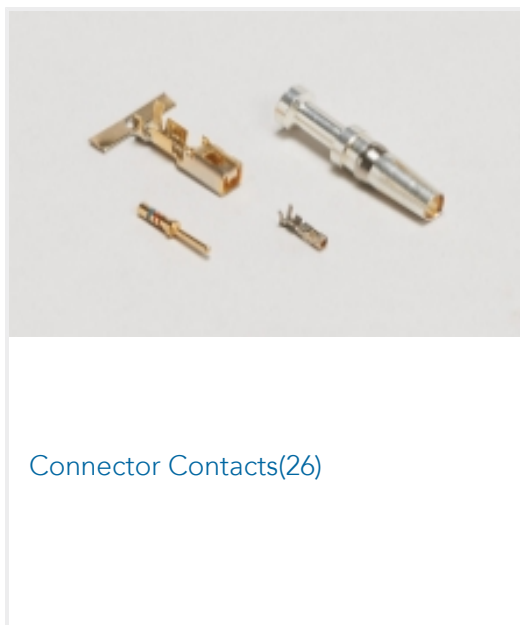
Product Compliance Disclaimer

This information is provided based on reasonable inquiry of our suppliers and represents our current actual knowledge based on the information they provided. This information is subject to change. The part numbers that TE has identified as EU RoHS compliant have a maximum concentration of 0.1% by weight in homogenous materials for lead, hexavalent chromium, mercury, PBB, PBDE, DBP, BBP, DEHP, DIBP, and 0.01% for cadmium, or qualify for an exemption to these limits as defined in the Annexes of Directive 2011/65/EU (RoHS2). Finished electrical and electronic equipment products will be CE marked as required by Directive 2011/65/EU. Components may not be CE marked. Additionally, the part numbers that TE has identified as EU ELV compliant have a maximum concentration of 0.1% by weight in homogenous materials for lead, hexavalent chromium, and mercury, and 0.01% for cadmium, or qualify for an exemption to these limits as defined in the Annexes of Directive 2000/53/EC (ELV). Regarding the REACH Regulation, the information TE provides on SVHC in articles for this part number is based on the latest European Chemicals Agency (ECHA) 'Guidance on requirements for substances in articles' posted at this URL: <https://echa.europa.eu/guidance-documents/guidance-on-reach>

Compatible Parts



Also in the Series | Power Triple Lock

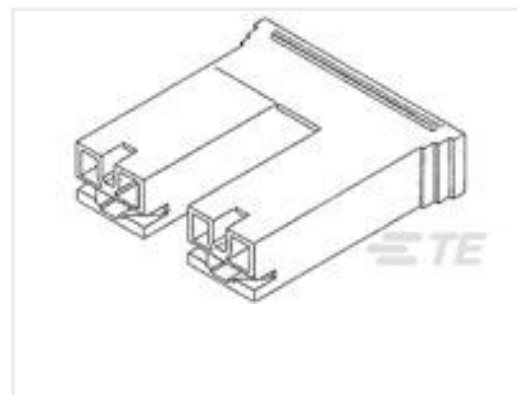


Customers Also Bought





TE Part #CAT-P87074-P729A
High Temperature Plug — POWER
TRIPLE LOCK



TE Part #1-520935-5
PL 250 HOUSING REC BLUE 6/6
NYLON V2



TE Part #1-1969594-6
HSG,REC,PANEL MOUNT,DUALROW,
EP2.5

Documents

Product Drawings

PTL 2X4 CAP PANEL MT HIGH TEMP KEY B RED

English

CAD Files

3D PDF

3D

Customer View Model

[ENG_CVM_CVM_6-1971775-4_F.2d_dxf.zip](#)

English

Customer View Model

[ENG_CVM_CVM_6-1971775-4_F.3d_igs.zip](#)

English

Customer View Model

[ENG_CVM_CVM_6-1971775-4_F.3d_stp.zip](#)

English

By downloading the CAD file I accept and agree to the [Terms and Conditions](#) of use.

Product Specifications

Application Specification

English

Agency Approvals

VDE Certificate

English

VDE Certificate

English