

SMF5150KJT ✓ ACTIVE

CGS | CGS SM

TE Internal #: 6-1879234-0

150K ohm, Metal Film, Power Resistor, 5 %, 5 W, ± 100 ppm/ $^{\circ}$ C,
Solder, 2 Terminations, 6.8 mm [.268 in] Height, 13.5 mm [.531 in]
Length, CGS SM

[View on TE.com >](#)



Passive Components > Resistors > Surface Mount Resistors > SMD Power Resistor: 7 Watt, 200-2M Ohm



Resistor Type: **Power Resistor**

Element Type: **Metal Film**

Power Rating: **5 W**

Resistance Value: **150K Ω**

Resistance Class: **1k Ω – 1M Ω**

[All SMD Power Resistor: 7 Watt, 200-2M Ohm \(316\)](#)

Features

Product Type Features

| | |
|---------------|----------------|
| Resistor Type | Power Resistor |
| Element Type | Metal Film |

Configuration Features

| | |
|---------------------|---|
| Number of Resistors | 1 |
|---------------------|---|

Electrical Characteristics

| | |
|-----------------------------|---------------------------|
| Operating Voltage | 500 V |
| Power Rating | 5 W |
| Resistance Value | 150K Ω |
| Resistance Class | 1k Ω – 1M Ω |
| Passive Component Tolerance | 5 % |

Termination Features

| | |
|---|--------|
| Surface Mount Resistor Termination Type | Solder |
| Number of Terminations | 2 |

Dimensions

| | |
|----------------|-------------------|
| Product Height | 6.8 mm [.268 in] |
| Product Length | 13.5 mm [.531 in] |

| | |
|---------------|-----------------|
| Product Width | 7.3 mm[.287 in] |
|---------------|-----------------|

Usage Conditions

| | |
|-------------------------|-------------|
| Temperature Coefficient | ±100 ppm/°C |
|-------------------------|-------------|

Industry Standards

| | |
|------------------------|----------|
| UL Flammability Rating | UL 94V-0 |
|------------------------|----------|

| | |
|------------------------|---|
| ESD HBM Classification | 2 |
|------------------------|---|

| | |
|----------------------------|---|
| Moisture Sensitivity Level | 1 |
|----------------------------|---|

Packaging Features

| | |
|------------------|----------------|
| Packaging Method | Taped & Reeled |
|------------------|----------------|

Product Compliance

[For compliance documentation, visit the product page on TE.com>](#)

| | |
|---|---|
| EU RoHS Directive 2011/65/EU | Compliant |
| EU ELV Directive 2000/53/EC | Compliant |
| China RoHS 2 Directive MIIT Order No 32, 2016 | 有害物质含量符合标准要求 No Restricted Substance(s) Above Threshold |
| EU REACH Regulation (EC) No. 1907/2006 | Current ECHA Candidate List: JUNE 2025 (250) Candidate List Declared Against: JUNE 2025 (250) Does not contain REACH SVHC |
| Halogen Content | Low Halogen - Br, Cl, F < 900 ppm per homogenous material. Also BFR/CFR/PVC Free |
| Solder Process Capability | Wave solder capable to 265°C |

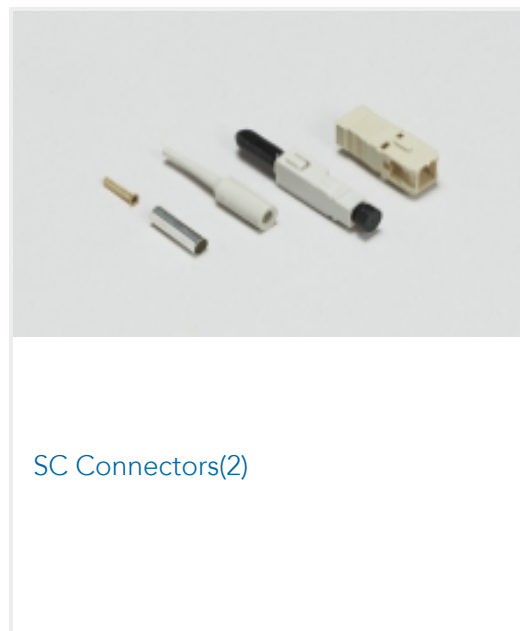
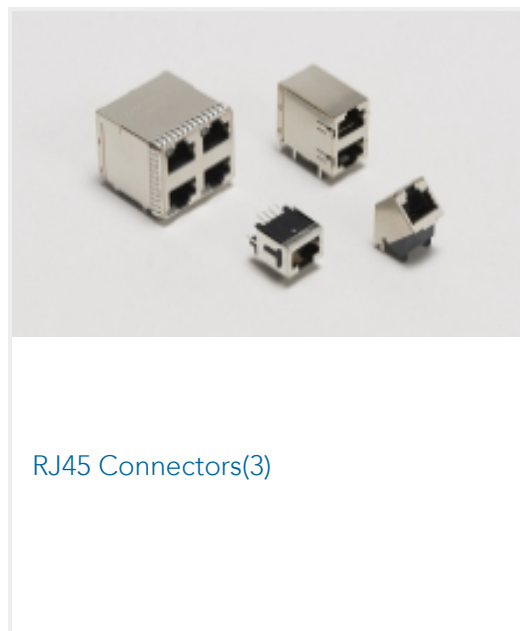
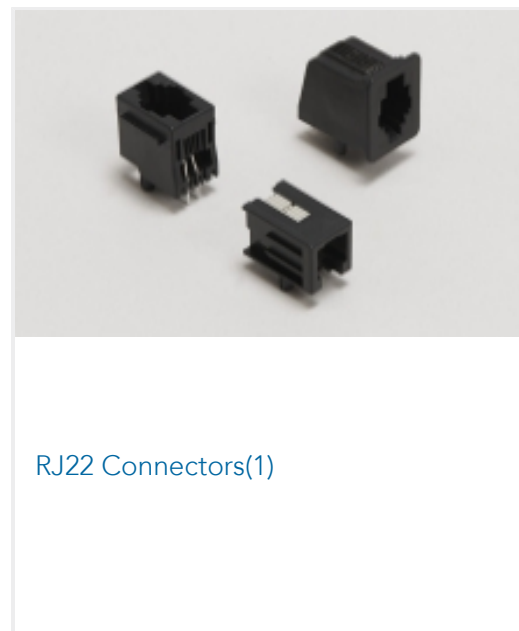
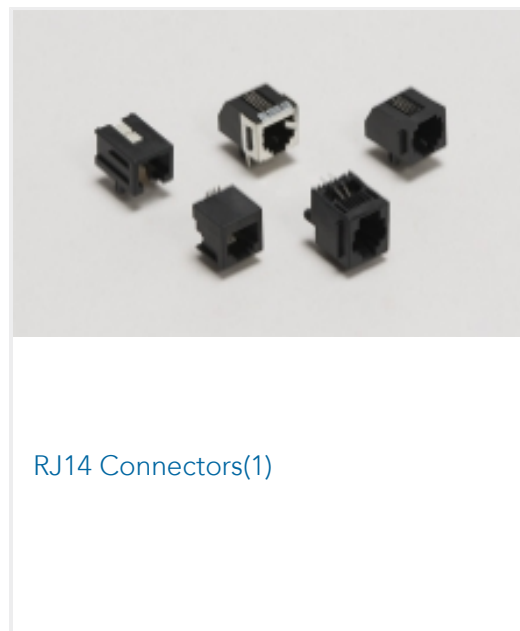
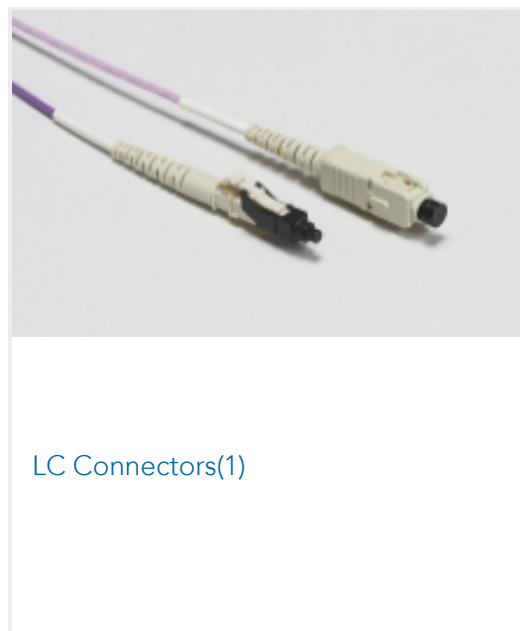
Product Compliance Disclaimer

This information is provided based on reasonable inquiry of our suppliers and represents our current actual knowledge based on the information they provided. This information is subject to change. The part numbers that TE has identified as EU RoHS compliant have a maximum concentration of 0.1% by weight in homogenous materials for lead, hexavalent chromium, mercury, PBB, PBDE, DBP, BBP, DEHP, DIBP, and 0.01% for cadmium, or qualify for an exemption to these limits as defined in the Annexes of Directive 2011/65/EU (RoHS2). Finished electrical and electronic equipment products will be CE marked as required by Directive 2011/65/EU. Components may not be CE marked. Additionally, the part numbers that TE has identified as EU ELV compliant have a maximum concentration of 0.1% by weight in homogenous materials for lead, hexavalent chromium, and mercury, and 0.01% for cadmium, or qualify for an exemption to these limits as defined in the Annexes of Directive 2000/53/EC (ELV). Regarding the REACH Regulation, the information TE provides on SVHC in articles for this part number is based on the latest European Chemicals Agency (ECHA) 'Guidance on requirements for substances in articles' posted at this URL: <https://echa.europa.eu/guidance-documents/guidance-on-reach>

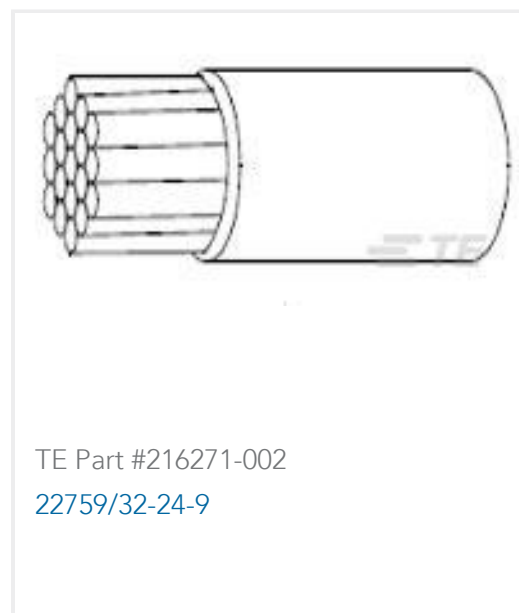
Compatible Parts



Also in the Series | **CGS SM**



Customers Also Bought





Documents

CAD Files

[3D PDF](#)

[3D](#)

Customer View Model

[ENG_CVM_CVM_6-1879234-0_BA.2d_dxf.zip](#)

English

Customer View Model

[ENG_CVM_CVM_6-1879234-0_BA.3d_igs.zip](#)

English

Customer View Model

[ENG_CVM_CVM_6-1879234-0_BA.3d_stp.zip](#)

English

By downloading the CAD file I accept and agree to the [Terms and Conditions](#) of use.

Datasheets & Catalog Pages

[1309350_PASSIVE_COMPONENT](#)

English

[SMD Moulded Power Resistor - Type SM Series - Tyco Electronics Passives](#)

English

[8-1773459-4_POWER_FILTERING_AND_RESISTIVE_SOLUTIONS_FOR_ELEVATORS_AND_ESCALATORS](#)

English