



CGS | CGS RL73

TE Internal #: 6-1622824-1

.1 ohm, Thick Film, Current Sensing Resistor, 5 %, 0603, .1 W, ±300 ppm/°C, Solder, 2 Terminations, .45 mm [.018 in] Height, CGS RL73

[View on TE.com >](#)

Passive Components > Resistors > Surface Mount Resistors > Thick Film Resistor: Current Sense



Resistor Type: **Current Sensing Resistor**

Element Type: **Thick Film**

Package Size Code: **0603**

Power Rating: **.1 W**

Resistance Value: **.1 Ω**

[All Thick Film Resistor: Current Sense \(29\)](#)

Features

Product Type Features

Resistor Type	Current Sensing Resistor
Element Type	Thick Film
Package Size Code	0603

Configuration Features

Number of Resistors	1
---------------------	---

Electrical Characteristics

Power Rating	.1 W
Resistance Value	.1 Ω
Resistance Class	Up to 1kΩ
Passive Component Tolerance	5 %

Termination Features

Surface Mount Resistor Termination Type	Solder
Number of Terminations	2

Dimensions

Product Height	.45 mm[.018 in]
Product Length	1.6 mm[.063 in]
Product Width	.8 mm[.031 in]



Usage Conditions

Temperature Coefficient	±300 ppm/°C
-------------------------	-------------

Packaging Features

Packaging Method	Taped & Reeled
------------------	----------------

Product Compliance

[For compliance documentation, visit the product page on TE.com>](#)

EU RoHS Directive 2011/65/EU	Compliant with Exemptions
EU ELV Directive 2000/53/EC	Not Compliant
China RoHS 2 Directive MIIT Order No 32, 2016	有害物质含量超出标准 Restricted Substance(s) Above Threshold
EU REACH Regulation (EC) No. 1907/2006	Current ECHA Candidate List: JUNE 2025 (250) Candidate List Declared Against: JUNE 2025 (250) Does not contain REACH SVHC
Halogen Content	Low Halogen - Br, Cl, F < 900 ppm per homogenous material. Also BFR/CFR/PVC Free
Solder Process Capability	Reflow solder capable to 260°C

Product Compliance Disclaimer

This information is provided based on reasonable inquiry of our suppliers and represents our current actual knowledge based on the information they provided. This information is subject to change. The part numbers that TE has identified as EU RoHS compliant have a maximum concentration of 0.1% by weight in homogenous materials for lead, hexavalent chromium, mercury, PBB, PBDE, DBP, BBP, DEHP, DIBP, and 0.01% for cadmium, or qualify for an exemption to these limits as defined in the Annexes of Directive 2011/65/EU (RoHS2). Finished electrical and electronic equipment products will be CE marked as required by Directive 2011/65/EU. Components may not be CE marked. Additionally, the part numbers that TE has identified as EU ELV compliant have a maximum concentration of 0.1% by weight in homogenous materials for lead, hexavalent chromium, and mercury, and 0.01% for cadmium, or qualify for an exemption to these limits as defined in the Annexes of Directive 2000/53/EC (ELV). Regarding the REACH Regulation, the information TE provides on SVHC in articles for this part number is based on the latest European Chemicals Agency (ECHA) 'Guidance on requirements for substances in articles' posted at this URL: <https://echa.europa.eu/guidance-documents/guidance-on-reach>

Compatible Parts




TE Part # 1-2176188-0
RLP73 0402 LAB-KIT



TE Part # 8-1622825-0
RL73K 3A R47 2% 4K RL



TE Part # 1-2176188-3
RLP73 1206 LAB-KIT



TE Part # CAT-C339-R529
Thick Film Resistor: Current Sense



TE Part # 1-2176188-2
RLP73 0805 LAB-KIT



TE Part # 1-2176188-1
RLP73 0603 LAB-KIT



TE Part # 1-2176188-4
RLP73 2512 LAB-KIT



TE Part # CAT-C339-R529B
Thick Film Resistor: Current Sense

Also in the Series | **CGS RL73**



Surface Mount Resistors(472)

Customers Also Bought



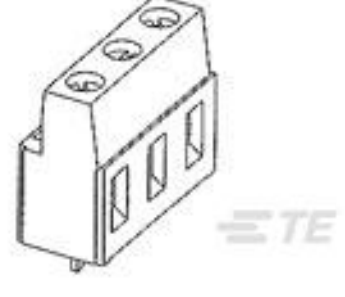
TE Part #5054412014
RNF-100-1/4-5-STK




TE Part #214356-E
MSPPM 5 F SMD F4 * A V 137 094 * E008 J



TE Part #225457-E
M12 FEMALE, A CODE, RA, 5P THR REAR MOUNT



TE Part #282844-2
TERMI-BLOK PCB MOUNT 90 2P.



TE Part #322367
DG 22-16COM22-18MIL HR R 1/4



TE Part #7-1393211-4
T92P7D32-24



TE Part #6-1460820-1
V23608A1027B 2=SMD Jack L-Fr



TE Part #1-1734742-0
.5 FPC VT ZIF Type-A 10 CONT



TE Part #293266-2
32+8 position mqs header ass'y



TE Part #2015357-4
C/A, UMCC/UMCC, 1.37 OD CABLE,
200MM LON

Documents

Product Drawings

[RL73N 1J R10 5% 5K RL](#)

English

CAD Files

[3D PDF](#)

3D

Customer View Model

[ENG_CVM_CVM_6-1622824-1_BA.2d_dxf.zip](#)

English

Customer View Model

[ENG_CVM_CVM_6-1622824-1_BA.3d_igs.zip](#)

English

Customer View Model

[ENG_CVM_CVM_6-1622824-1_BA.3d_stp.zip](#)

English

By downloading the CAD file I accept and agree to the [Terms and Conditions](#) of use.

Datasheets & Catalog Pages

[1309350_PASSIVE_COMPONENT](#)

English

[SMD Low Ohmic Current Sense Resistors - Type RL73 Series](#)

English

[Standard Tantalum Capacitors - Type TYTS Series - Tyco Electronics Passives](#)

English

[8-1773459-4_POWER_FILTERING_AND_RESISTIVE_SOLUTIONS_FOR_ELEVATORS_AND_ESCALATORS](#)

English