



CII

TE Internal #: 6-1618386-9

1 Form A (NO), 3.8 – 32 VDC Input, 250 Vrms Output, 10 A Contact Rating, DC Output, Panel Mount

[View on TE.com >](#)

Relays & Contactors > Solid State Relays



Contact Arrangement: **1 Form A (NO)**

Input Voltage: **3.8 – 32 VDC**

Output Voltage Rating: **250 Vrms**

Contact Current Rating: **10 A**

Output Current Type: **DC**

Features

Configuration Features

Contact Arrangement	1 Form A (NO)
---------------------	---------------

Electrical Characteristics

Contact Voltage Rating	250 VAC
Input Voltage	3.8 – 32 VDC
Output Voltage Rating	250 Vrms
Contact Current Rating	10 A

Body Features

Enclosure Type	Hermetically Sealed
----------------	---------------------

Termination Features

Relay Connection Type	Terminals
Terminal Configuration	Screw Terminals

Mechanical Attachment

Product Mounting Feature Type	Mounting Hole
Product Mount Type	Panel Mount

Dimensions

Product Length	50.8 mm[2 in]
Product Width	25.4 mm[1 in]



Product Height	22.9 mm[.889 in]
----------------	------------------

Usage Conditions

Operating Temperature Range	-55 – 95 °C[-67 – 203 °F]
-----------------------------	---------------------------

Operation/Application

Shock Resistance	100G's, 6ms
Output Current Type	DC

Packaging Features

Packaging Method	Tray/Box
------------------	----------

Product Compliance

[For compliance documentation, visit the product page on TE.com>](#)

EU RoHS Directive 2011/65/EU	Compliant
EU ELV Directive 2000/53/EC	Not Compliant
China RoHS 2 Directive MIIT Order No 32, 2016	有害物质含量符合标准要求 No Restricted Substance(s) Above Threshold
EU REACH Regulation (EC) No. 1907/2006	Current ECHA Candidate List: JUNE 2025 (250) Candidate List Declared Against: JAN 2025 (247) SVHC > Threshold: Pb (6% in Component Part) Article Safe Usage Statements: Do not eat, drink or smoke when using this product. Wash thoroughly after handling. Recycle if possible and dispose of the article by following all applicable governmental regulations relevant to your geographic location.
Halogen Content	Low Halogen - Br, Cl, F < 900 ppm per homogenous material. Also BFR/CFR/PVC Free
Solder Process Capability	Not lead free process capable

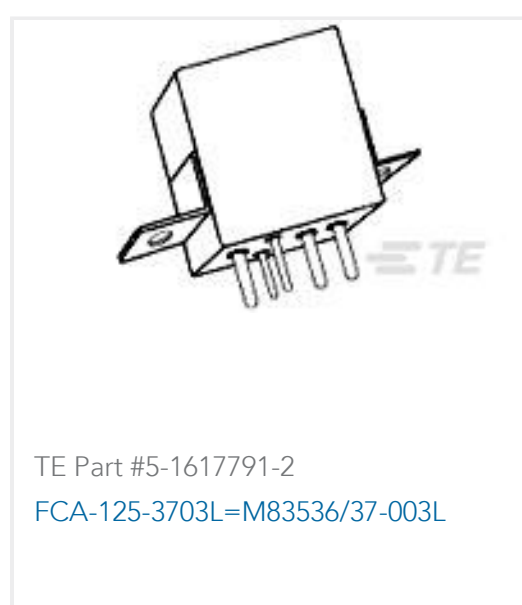
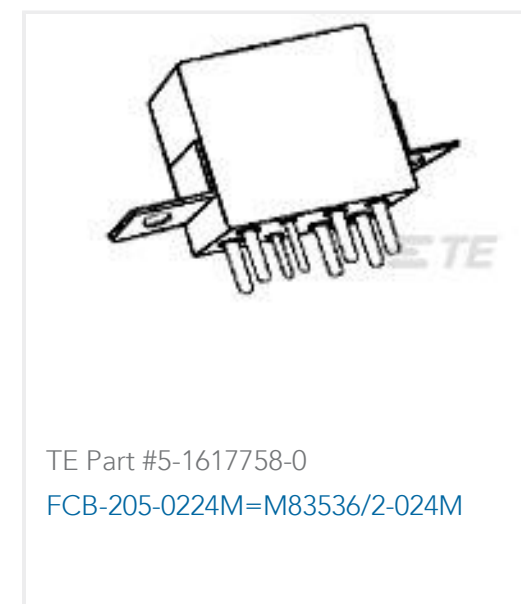
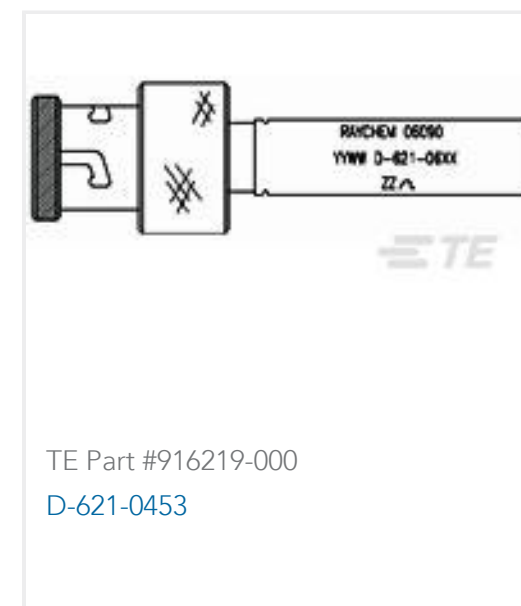
Product Compliance Disclaimer

This information is provided based on reasonable inquiry of our suppliers and represents our current actual knowledge based on the information they provided. This information is subject to change. The part numbers that TE has identified as EU RoHS compliant have a maximum concentration of 0.1% by weight in homogenous materials for lead, hexavalent chromium, mercury, PBB, PBDE, DBP, BBP, DEHP, DIBP, and 0.01% for cadmium, or qualify for an exemption to these limits as defined in the Annexes of Directive 2011/65/EU (RoHS2). Finished electrical and electronic equipment products will be CE marked as required by Directive 2011/65/EU. Components may not be CE marked. Additionally, the part numbers that TE has identified as EU ELV compliant have a maximum concentration of 0.1% by weight in homogenous materials for lead, hexavalent chromium, and mercury, and 0.01% for cadmium, or qualify for an exemption to these limits as defined in the Annexes of Directive 2000/53/EC (ELV). Regarding the REACH Regulation, the information TE provides on SVHC in articles for this part number is based on the latest European Chemicals Agency (ECHA) 'Guidance on requirements for substances in articles' posted at this URL: <https://echa.europa.eu/guidance-documents/guidance-on-reach>

Compatible Parts



Customers Also Bought





Documents

Product Drawings

[PS12-1Y = SOLID STATE RELAY, 10A/250VAC](#)

English

Datasheets & Catalog Pages

[5-1773450-5_sec10_PS12](#)

English