



Product Compliance

[For compliance documentation, visit the product page on TE.com>](#)

EU RoHS Directive 2011/65/EU	Compliant
EU ELV Directive 2000/53/EC	Compliant
China RoHS 2 Directive MIIT Order No 32, 2016	有害物质含量符合标准要求 No Restricted Substance(s) Above Threshold
EU REACH Regulation (EC) No. 1907/2006	Current ECHA Candidate List: JUNE 2025 (250) Candidate List Declared Against: JAN 2024 (240) Does not contain REACH SVHC
Halogen Content	Not Low Halogen - contains Br or Cl > 900 ppm.
Solder Process Capability	Wave solder capable to 265°C

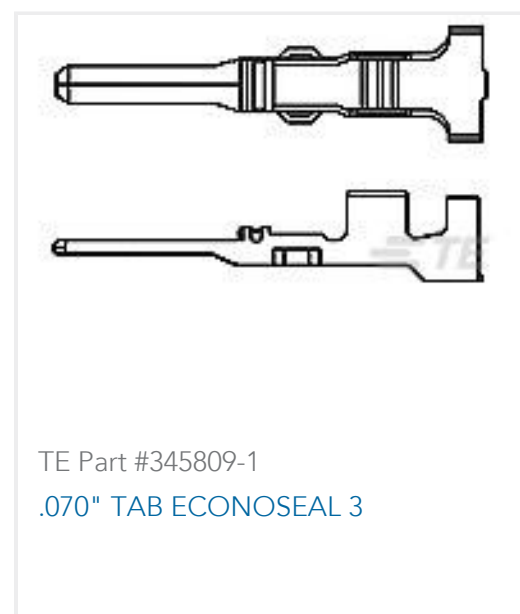
Product Compliance Disclaimer

This information is provided based on reasonable inquiry of our suppliers and represents our current actual knowledge based on the information they provided. This information is subject to change. The part numbers that TE has identified as EU RoHS compliant have a maximum concentration of 0.1% by weight in homogenous materials for lead, hexavalent chromium, mercury, PBB, PBDE, DBP, BBP, DEHP, DIBP, and 0.01% for cadmium, or qualify for an exemption to these limits as defined in the Annexes of Directive 2011/65/EU (RoHS2). Finished electrical and electronic equipment products will be CE marked as required by Directive 2011/65/EU. Components may not be CE marked. Additionally, the part numbers that TE has identified as EU ELV compliant have a maximum concentration of 0.1% by weight in homogenous materials for lead, hexavalent chromium, and mercury, and 0.01% for cadmium, or qualify for an exemption to these limits as defined in the Annexes of Directive 2000/53/EC (ELV). Regarding the REACH Regulation, the information TE provides on SVHC in articles for this part number is based on the latest European Chemicals Agency (ECHA) 'Guidance on requirements for substances in articles' posted at this URL: <https://echa.europa.eu/guidance-documents/guidance-on-reach>

Customers Also Bought



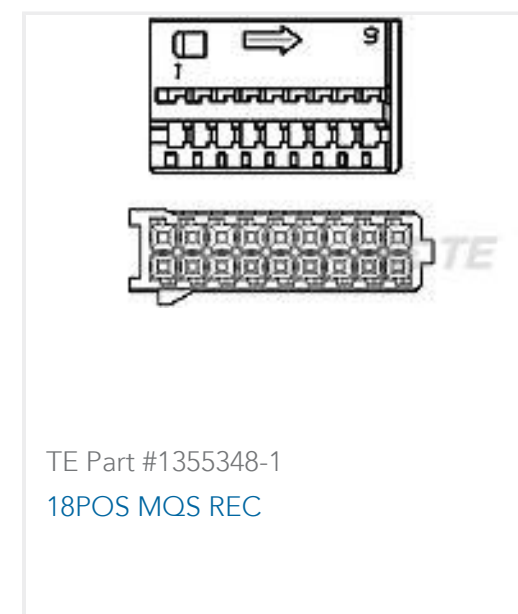
TE Part #CAT-EC7491-CH8172
ECONOSEAL, CONNECTOR
HOUSING



TE Part #345809-1
.070" TAB ECONOSEAL 3



TE Part #5-534237-4
06 MODII VRT SR CE 100/115



TE Part #1355348-1
18POS MQS REC



TE Part #1-1462038-6
IM06NS=IM RELAY 140mW 12V



TE Part #2-1622825-5
RL73K 3A R68 5% 1K REEL



TE Part #3-2176055-5
RLP73K 2B R27 1% 1K RL



TE Part #CAT-SU763-H342
SUPERSEAL 1.0 Connector Headers

Documents

CAD Files

3D PDF

3D

Customer View Model

[ENG_CVM_CVM_6-1462000-2_C.2d_dxf.zip](#)

English

Customer View Model

[ENG_CVM_CVM_6-1462000-2_C.3d_igs.zip](#)

English

Customer View Model

[ENG_CVM_CVM_6-1462000-2_C.3d_stp.zip](#)

English

By downloading the CAD file I accept and agree to the [Terms and Conditions](#) of use.

Datasheets & Catalog Pages

[Transportation, Storage, Handling, Assembly and Testing of AXICOM THT Relays](#)

English

MT2 Relay Datasheet

English

Product Specifications

[Definitions General Purpose Relays](#)

English