



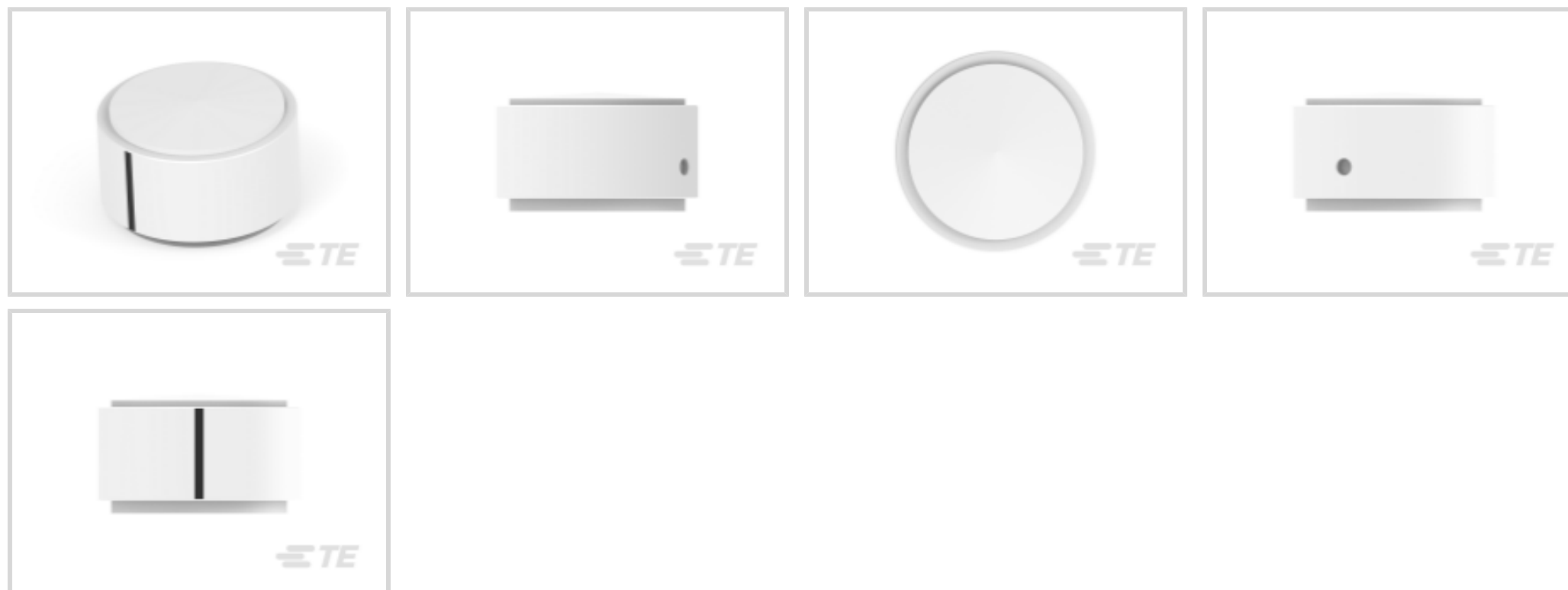
Alcoswitch

TE Internal #: 6-1437621-8

5056 Aluminum Alloy, Diamond Knurl Knob Design, 6.35 mm [.25 in] Shaft, 31.75 mm [1.25 in] Diameter, Natural, Line Indicator, Switch Knobs

[View on TE.com >](#)

Switches > Switch Knobs



Primary Product Material: **5056 Aluminum Alloy**

Knob Design: **Diamond Knurl**

Shaft Size: **6.35 mm [.25 in]**

Product Diameter: **31.75 mm [1.25 in]**

Primary Product Color: **Natural**

**Features**

**Configuration Features**

Spinner	Without
Skirt	Without
Spin Plate	Without
Knob Design	Diamond Knurl

**Body Features**

Primary Product Material	5056 Aluminum Alloy
Primary Product Color	Natural

**Dimensions**

Shaft Size	6.35 mm[.25 in]
Product Diameter	31.75 mm[1.25 in]

**Identification Marking**

Indicator Style	Line
Indicator Location	Side



## Product Compliance

[For compliance documentation, visit the product page on TE.com>](#)

EU RoHS Directive 2011/65/EU	Not Compliant
EU ELV Directive 2000/53/EC	Not Compliant
China RoHS 2 Directive MIIT Order No 32, 2016	Restricted Materials Above Threshold
EU REACH Regulation (EC) No. 1907/2006	Current ECHA Candidate List: JUNE 2024 (241) Candidate List Declared Against: JUNE 2024 (241) SVHC > Threshold: Pb (.6% in Component Part) <b>Article Safe Usage Statements:</b> Do not eat, drink or smoke when using this product. Wash thoroughly after handling. Recycle if possible and dispose of the article by following all applicable governmental regulations relevant to your geographic location.
Halogen Content	Low Halogen - Br, Cl, F, I < 900 ppm per homogenous material. Also BFR/CFR/PVC Free
Solder Process Capability	Not applicable for solder process capability

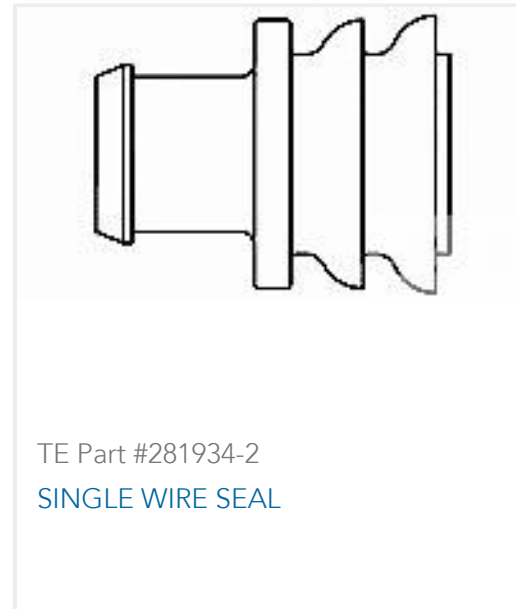
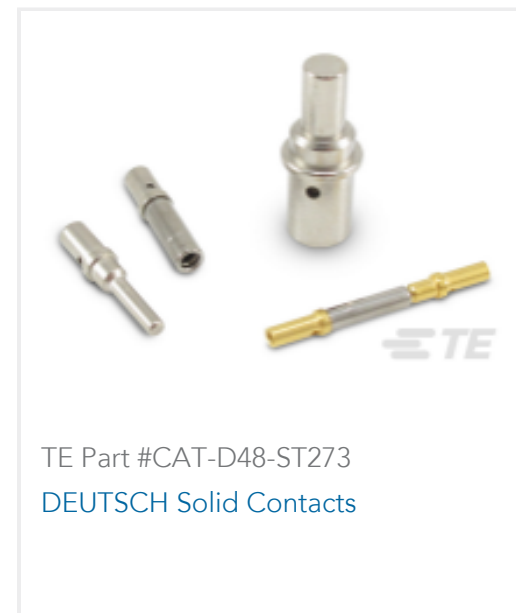
### Product Compliance Disclaimer

This information is provided based on reasonable inquiry of our suppliers and represents our current actual knowledge based on the information they provided. This information is subject to change. The part numbers that TE has identified as EU RoHS compliant have a maximum concentration of 0.1% by weight in homogenous materials for lead, hexavalent chromium, mercury, PBB, PBDE, DBP, BBP, DEHP, DIBP, and 0.01% for cadmium, or qualify for an exemption to these limits as defined in the Annexes of Directive 2011/65/EU (RoHS2). Finished electrical and electronic equipment products will be CE marked as required by Directive 2011/65/EU. Components may not be CE marked. Additionally, the part numbers that TE has identified as EU ELV compliant have a maximum concentration of 0.1% by weight in homogenous materials for lead, hexavalent chromium, and mercury, and 0.01% for cadmium, or qualify for an exemption to these limits as defined in the Annexes of Directive 2000/53/EC (ELV). Regarding the REACH Regulation, the information TE provides on SVHC in articles for this part number is based on the latest European Chemicals Agency (ECHA) 'Guidance on requirements for substances in articles' posted at this URL: <https://echa.europa.eu/guidance-documents/guidance-on-reach>

## Compatible Parts



## Customers Also Bought



## Documents

### Product Drawings

[KD1250A1/4=KNOB AL DIAMOND KNU](#)

English

### CAD Files

[3D PDF](#)

3D

Customer View Model

[ENG\\_CVM\\_CVM\\_6-1437621-8\\_A\\_c-6-1437621-8-a.2d\\_dxf.zip](#)

English

Customer View Model

[ENG\\_CVM\\_CVM\\_6-1437621-8\\_A\\_c-6-1437621-8-a.3d\\_igs.zip](#)

English

Customer View Model

[ENG\\_CVM\\_CVM\\_6-1437621-8\\_A\\_c-6-1437621-8-a.3d\\_stp.zip](#)

English

By downloading the CAD file I accept and agree to the [Terms and Conditions](#) of use.

### Datasheets & Catalog Pages

[Alcoswitch Products](#)

English