

6-1415029-1 ✓ ACTIVE

SCHRACK | SCHRACK Miniature Power PCB Relay PB

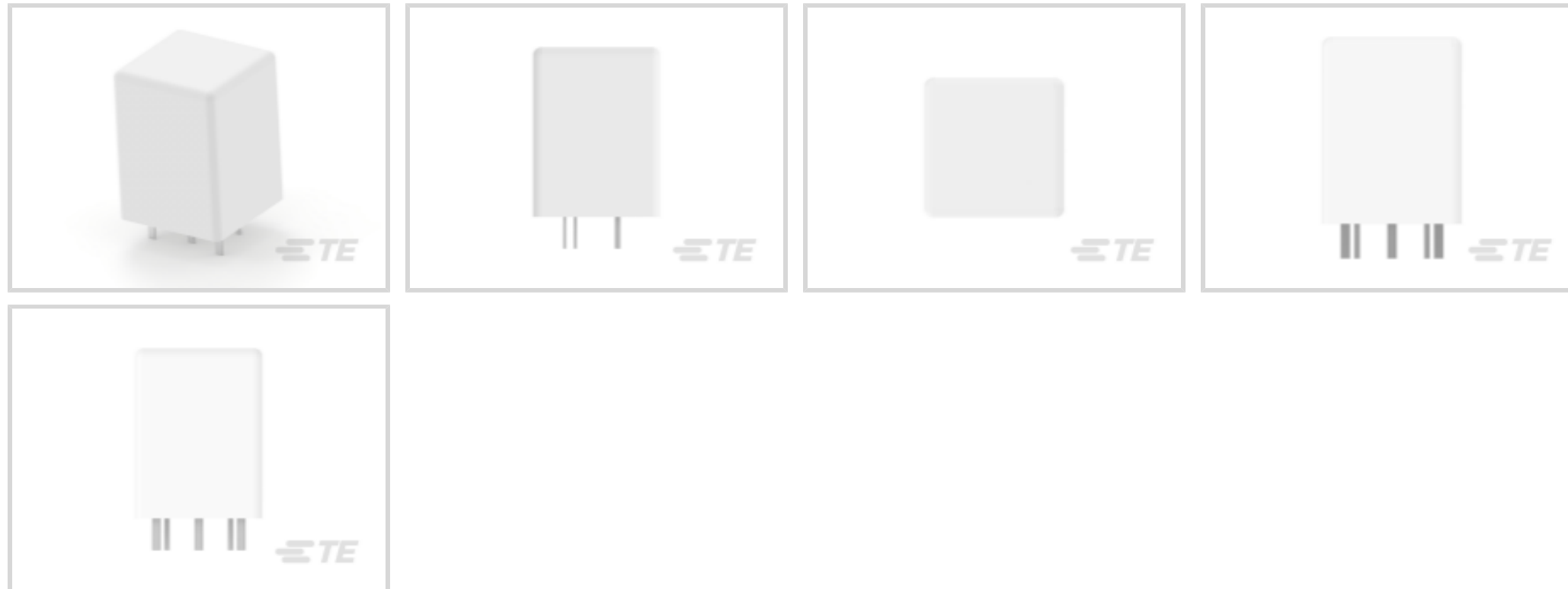
TE Internal #: 6-1415029-1

General Purpose Power Relay, DC, Monostable, 1 Form C SPDT-CO, 10 A Contact Rating, 5 VDC Coil Voltage, SCHRACK Miniature Power PCB Relay PB

[View on TE.com >](#)



Relays & Contactors > Electromechanical Relays



Relay & Contactor Type: **General Purpose Power Relay**

Current Type: **DC**

Coil Magnetic System: **Monostable**

Contact Arrangement: **1 Form C SPDT-CO**

Contact Current Rating: **10 A**

## Features

### Contact Features

Contact Material	AgNi90/10
------------------	-----------

### Dimensions

Insulation Clearance Between Contact & Coil	3 mm[.118 in]
Insulation Creepage Between Contact & Coil	4 mm[.157 in]
Product Width	15 mm[.59 in]
Product Length	15 mm[.59 in]
Product Height	20 mm[.787 in]

### Packaging Features

Packaging Method	Tube, Box & Tube
------------------	------------------

### Other

Coil Power Rating Class	.3 – .4 W
Contact Current Class	16 A
Environmental Ambient Temperature Class	70 – 85 °C
Height Class (Mechanical)	16 – 20 mm

Length Class (Mechanical)	14 – 16 mm
Width Class (Mechanical)	12 – 16 mm
EU RoHS Compliance	Compliant
EU ELV Compliance	Compliant

### Usage Conditions

Environmental Category of Protection	RTII
Environmental Ambient Temperature (Max)	85 °C[185 °F]

### Body Features

Product Weight	5.4 g[.19 oz]
Enclosure Type	Flux Resistant Automatic Soldering

### Electrical Characteristics

Contact Limiting Short-Time Current	10 A
Contact Limiting Making Current	15 A
Contact Limiting Continuous Current	10 A
Contact Limiting Breaking Current	10 A
Insulation Initial Dielectric Between Open Contacts	1000 Vrms
Contact Switching Voltage (Max)	400 VAC
Coil Resistance	70 Ω
Contact Current Rating	10 A
Coil Voltage Rating	5 VDC
Contact Voltage Rating	250 VAC
Coil Power Rating DC	.357 W
Insulation Initial Dielectric Between Contacts & Coil	2500 Vrms

### Configuration Features

Contact Number of Poles	1
Coil Special Features	UL Coil Insulation Class F
Contact Arrangement	1 Form C SPDT-CO

### Operation/Application

Solder Process	Wave Solder
Current Type	DC
Coil Magnetic System	Monostable

### Product Type Features



Relay & Contactor Type	General Purpose Power Relay
------------------------	-----------------------------

### Termination Features

Main Termination & Connection Type	Solder Pins
------------------------------------	-------------

Coil Termination & Connection Type	Solder Pins
------------------------------------	-------------

### Mechanical Attachment

Product Mount Type	Board Mount
--------------------	-------------

## Product Compliance

[For compliance documentation, visit the product page on TE.com>](#)

EU RoHS Directive 2011/65/EU	Compliant
------------------------------	-----------

EU ELV Directive 2000/53/EC	Compliant
-----------------------------	-----------

China RoHS 2 Directive MIIT Order No 32, 2016	No Restricted Materials Above Threshold
---	---

EU REACH Regulation (EC) No. 1907/2006	Current ECHA Candidate List: JUNE 2024 (241) Candidate List Declared Against: JUNE 2024 (241) Does not contain REACH SVHC
--	---

Halogen Content	Not Low Halogen - contains Br or Cl > 900 ppm.
-----------------	--

Solder Process Capability	Wave solder capable to 265°C
---------------------------	------------------------------

#### Product Compliance Disclaimer

This information is provided based on reasonable inquiry of our suppliers and represents our current actual knowledge based on the information they provided. This information is subject to change. The part numbers that TE has identified as EU RoHS compliant have a maximum concentration of 0.1% by weight in homogenous materials for lead, hexavalent chromium, mercury, PBB, PBDE, DBP, BBP, DEHP, DIBP, and 0.01% for cadmium, or qualify for an exemption to these limits as defined in the Annexes of Directive 2011/65/EU (RoHS2). Finished electrical and electronic equipment products will be CE marked as required by Directive 2011/65/EU. Components may not be CE marked. Additionally, the part numbers that TE has identified as EU ELV compliant have a maximum concentration of 0.1% by weight in homogenous materials for lead, hexavalent chromium, and mercury, and 0.01% for cadmium, or qualify for an exemption to these limits as defined in the Annexes of Directive 2000/53/EC (ELV). Regarding the REACH Regulation, the information TE provides on SVHC in articles for this part number is based on the latest European Chemicals Agency (ECHA) 'Guidance on requirements for substances in articles' posted at this URL: <https://echa.europa.eu/guidance-documents/guidance-on-reach>

## Compatible Parts



TE Part # 7-1415029-1  
PB114006

### Also in the Series | SCHRACK Miniature Power PCB Relay PB



DC Relays(20)



Electromechanical Relays(20)

### Customers Also Bought



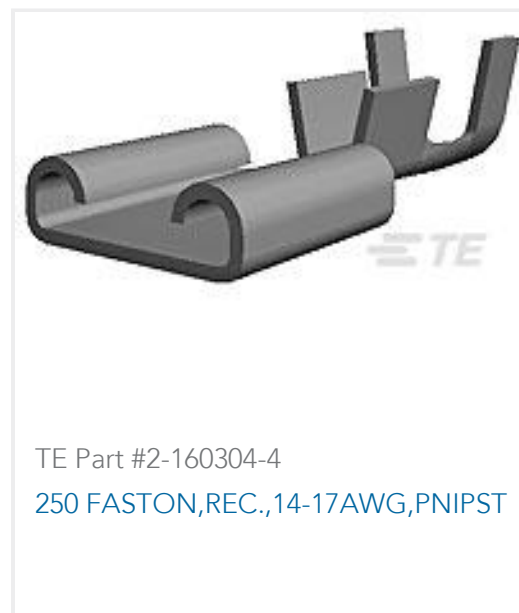
TE Part #1-2176412-4  
5W XSM M/OX 5% 18R



TE Part #926965-1  
STC REC 6.3 Contact SRC Sn



TE Part #9-2176412-8  
5W XSM M/OX 5% 56K



TE Part #2-160304-4  
250 FASTON,REC.,14-17AWG,PNIPST



TE Part #1-1393243-8  
RTE24730



TE Part #1623107-1  
CRG0805 1% 120R



TE Part #1217671-1  
CLSTR BLK RCPT AMVAR 1500-4200



TE Part #1-2176412-0  
5W XSM M/OX 5% 12R



TE Part #1-1393763-8  
V23100V4305B



TE Part #2-1879337-6  
CPF 0603 4K53 1% 50PPM 1K RL



## Documents

### CAD Files

Customer View Model

[ENG\\_CVM\\_CVM\\_6-1415029-1\\_B1.3d\\_igs.zip](#)

English

Customer View Model

[ENG\\_CVM\\_CVM\\_6-1415029-1\\_B1.3d\\_stp.zip](#)

English

Customer View Model

[ENG\\_CVM\\_CVM\\_6-1415029-1\\_B1.2d\\_dxf.zip](#)

English

### 3D PDF

3D

By downloading the CAD file I accept and agree to the [Terms and Conditions](#) of use.

### Datasheets & Catalog Pages

[Miniature Power PCB Relay PB](#)

English

### Product Specifications

[Definitions General Purpose Relays](#)

English

### Agency Approvals

[VDE Certificate](#)

English