

# SSRK-600A10 ✓ ACTIVE

Potter & Brumfield | Potter & Brumfield SSRK

TE Internal #: 6-1393030-9

AC Input Solid State Relay, 1 Form A SPST-NO, 48 – 660 Vrms

Output, AC Output, DIN Rail, Black, Potter & Brumfield SSRK

[View on TE.com >](#)



Relays & Contactors > Solid State Relays > P&B Solid State Relays, SSRK Series



Input Current Type: AC

Contact Arrangement: 1 Form A SPST-NO

Output Voltage Rating: 48 – 660 Vrms

Output Switching: Zero

Output Current Type: AC

[All P&B Solid State Relays, SSRK Series \(10\)](#)

## Features

### Mechanical Attachment

Product Mounting Feature Type	Mounting Hole
Product Mount Type	DIN Rail

### Electrical Characteristics

Insulation Initial Dielectric Between Contacts & Coil	4000 Vrms
Output Voltage Rating	48 – 660 Vrms

### Configuration Features

Relay Options	Integral Heatsink
Contact Arrangement	1 Form A SPST-NO

### Operation/Application

Input Current Type	AC
Output Switching	Zero
Output Current Type	AC

### Termination Features



Relay Connection Type	Terminals
Terminal Configuration	Screw Terminals

### Body Features

Primary Product Color	Black
Product Weight	280 g[9.87 oz]

### Dimensions

Product Length	82.3 mm[3.24 in]
Product Width	22.5 mm[.885 in]
Product Height	111.5 mm[4.38 in]

### Usage Conditions

Operating Temperature Range	-30 – 80 °C[-22 – 176 °F]
-----------------------------	---------------------------

### Other

EU RoHS Compliance	Compliant
EU ELV Compliance	Compliant with Exemptions

## Product Compliance

[For compliance documentation, visit the product page on TE.com>](#)

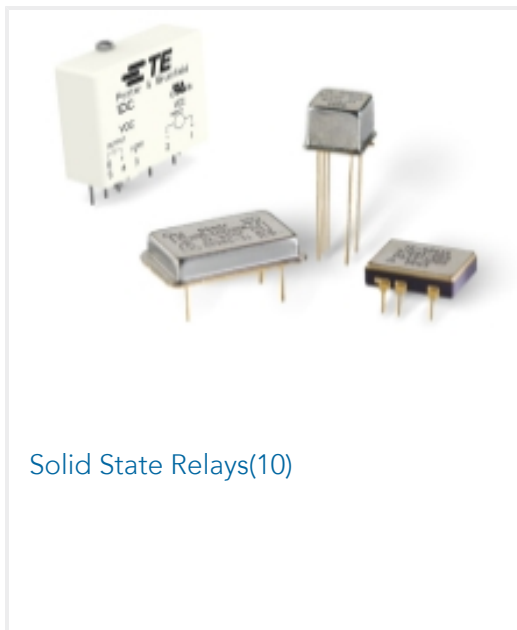
EU RoHS Directive 2011/65/EU	Compliant
EU ELV Directive 2000/53/EC	Compliant with Exemptions
China RoHS 2 Directive MIIT Order No 32, 2016	No Restricted Materials Above Threshold
EU REACH Regulation (EC) No. 1907/2006	Current ECHA Candidate List: JUNE 2024 (241) Candidate List Declared Against: JUNE 2023 (235) Does not contain REACH SVHC
Halogen Content	Low Halogen - Br, Cl, F, I < 900 ppm per homogenous material. Also BFR/CFR/PVC Free
Solder Process Capability	Not applicable for solder process capability

#### Product Compliance Disclaimer

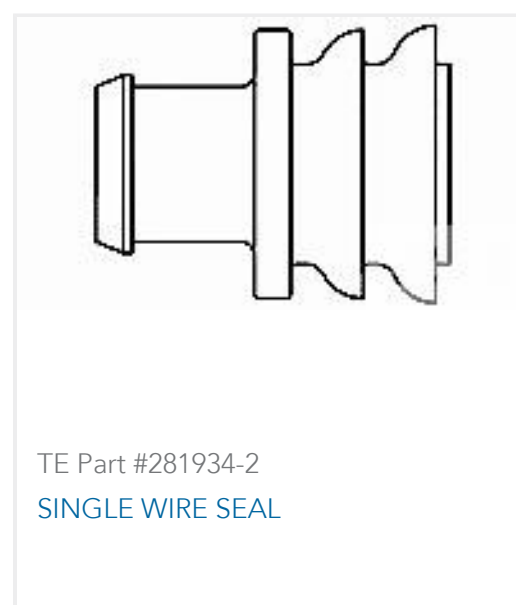
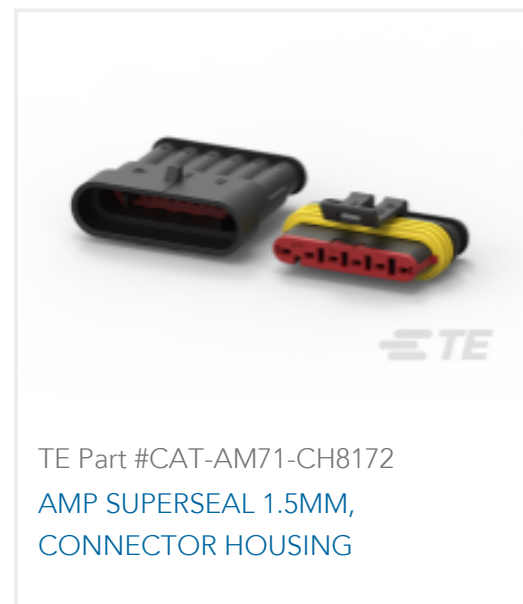
This information is provided based on reasonable inquiry of our suppliers and represents our current actual knowledge based on the information they provided. This information is subject to change. The part numbers that TE has identified as EU RoHS compliant have a maximum concentration of 0.1% by weight in homogenous materials for lead, hexavalent chromium, mercury, PBB, PBDE, DBP, BBP, DEHP, DIBP, and 0.01% for cadmium, or qualify for an exemption to these limits as defined in the Annexes of Directive 2011/65/EU (RoHS2). Finished electrical and electronic equipment products will be CE marked as required by Directive 2011/65/EU. Components may not be CE marked. Additionally, the part numbers that TE has identified as EU ELV compliant have a maximum concentration of 0.1% by weight in homogenous

materials for lead, hexavalent chromium, and mercury, and 0.01% for cadmium, or qualify for an exemption to these limits as defined in the Annexes of Directive 2000/53/EC (ELV). Regarding the REACH Regulation, the information TE provides on SVHC in articles for this part number is based on the latest European Chemicals Agency (ECHA) 'Guidance on requirements for substances in articles' posted at this URL: <https://echa.europa.eu/guidance-documents/guidance-on-reach>

## Also in the Series | Potter & Brumfield SSRK



## Customers Also Bought



## Documents

### CAD Files

#### Customer View Model

[ENG\\_CVM\\_CVM\\_6-1393030-9\\_B2.3d\\_igs.zip](#)

English

#### Customer View Model

[ENG\\_CVM\\_CVM\\_6-1393030-9\\_B2.2d\\_dxf.zip](#)

English

#### Customer View Model

[ENG\\_CVM\\_CVM\\_6-1393030-9\\_B2.3d\\_stp.zip](#)

English



### 3D PDF

3D

By downloading the CAD file I accept and agree to the [Terms and Conditions](#) of use.

### Datasheets & Catalog Pages

Potter & Brumfield SSRK SSRM Series

English

[SSRK\\_Datasheet](#)

English

### Agency Approvals

[UL](#)

English