

6-100525-4 ✓ ACTIVE

Z-PACK | Z-PACK 2mm HM

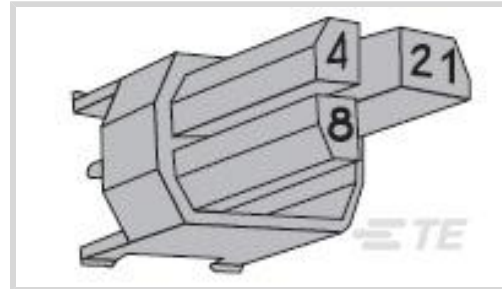
TE Internal #: 6-100525-4

Coding Key, Raspberry Red, Z-PACK 2mm HM

[View on TE.com >](#)



Connectors > Connector Accessories > Connector Hardware



Connector Hardware Accessory Type: **Coding Key**

Primary Product Color: **Raspberry Red**

Hardware Accessory Function: **Coding & Keying**

EU RoHS Compliance: **Compliant**

EU ELV Compliance: **Compliant**

Features

Usage Conditions

Compatible With Connector Style	Plug
---------------------------------	------

Packaging Features

Packaging Method	Bag
Packaging Quantity	500

Body Features

Connector & Keying Code	3578
Primary Product Color	Raspberry Red

Product Type Features

Connector Hardware Accessory Type	Coding Key
Hardware Accessory Function	Coding & Keying

Other

EU RoHS Compliance	Compliant
EU ELV Compliance	Compliant

Product Compliance

[For compliance documentation, visit the product page on TE.com>](#)

EU RoHS Directive 2011/65/EU	Compliant
EU ELV Directive 2000/53/EC	Compliant
China RoHS 2 Directive MIIT Order No 32, 2016	No Restricted Materials Above Threshold

EU REACH Regulation (EC) No. 1907/2006

Current ECHA Candidate List: JUNE 2024 (241)

Candidate List Declared Against: JUNE 2024 (241)

Does not contain REACH SVHC

Halogen Content

Low Halogen - Br, Cl, F, I < 900 ppm per homogenous material. Also BFR/CFR/PVC Free

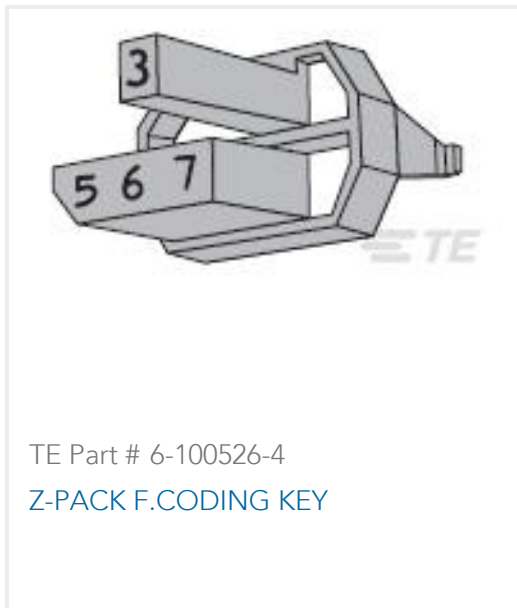
Solder Process Capability

Not applicable for solder process capability

Product Compliance Disclaimer

This information is provided based on reasonable inquiry of our suppliers and represents our current actual knowledge based on the information they provided. This information is subject to change. The part numbers that TE has identified as EU RoHS compliant have a maximum concentration of 0.1% by weight in homogenous materials for lead, hexavalent chromium, mercury, PBB, PBDE, DBP, BBP, DEHP, DIBP, and 0.01% for cadmium, or qualify for an exemption to these limits as defined in the Annexes of Directive 2011/65/EU (RoHS2). Finished electrical and electronic equipment products will be CE marked as required by Directive 2011/65/EU. Components may not be CE marked. Additionally, the part numbers that TE has identified as EU ELV compliant have a maximum concentration of 0.1% by weight in homogenous materials for lead, hexavalent chromium, and mercury, and 0.01% for cadmium, or qualify for an exemption to these limits as defined in the Annexes of Directive 2000/53/EC (ELV). Regarding the REACH Regulation, the information TE provides on SVHC in articles for this part number is based on the latest European Chemicals Agency (ECHA) 'Guidance on requirements for substances in articles' posted at this URL: <https://echa.europa.eu/guidance-documents/guidance-on-reach>

Compatible Parts



Also in the Series | Z-PACK 2mm HM



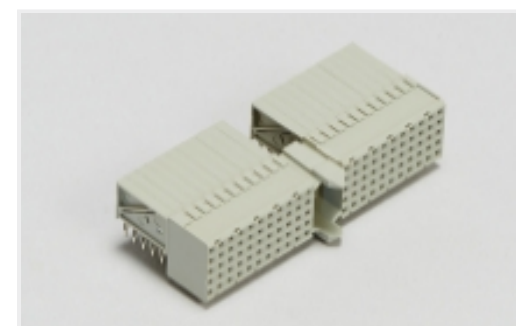
Board-to-Board Headers & Receptacles(46)



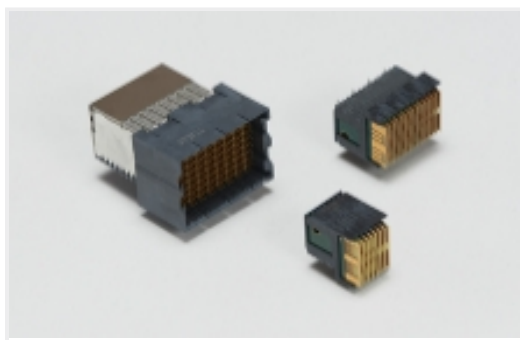
Connector Contacts(2)



Connector Hardware(91)



Hard Metric Backplane Connectors (267)

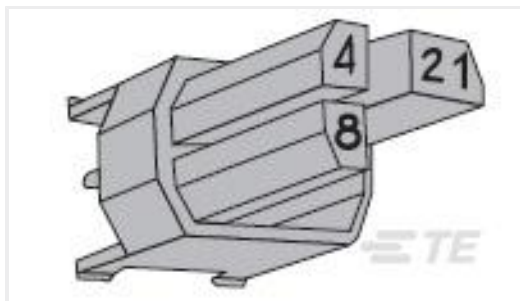


High Speed Backplane Connectors(1)



Power Contacts(2)

Customers Also Bought



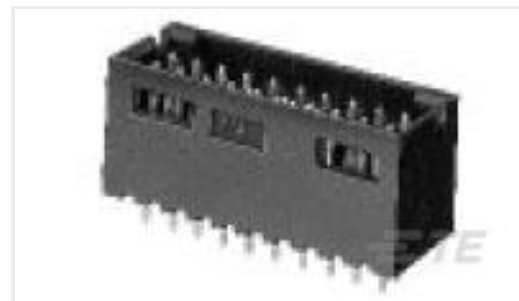
TE Part #5-100525-6
Z-PACK M.CODING KEY



TE Part #6-2176231-0
3522 3K0 1% 3W



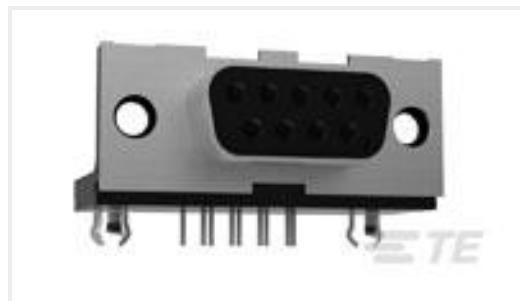
TE Part #2332816-1
RA Plug Assy Left End Multigig RT 3



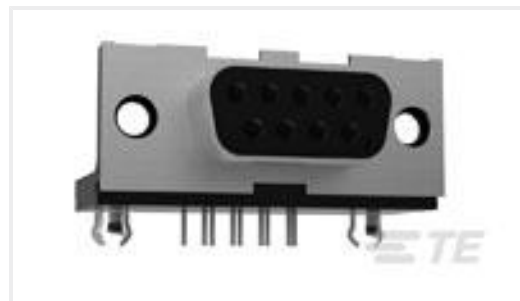
TE Part #5-103168-3
10 MODII HDR DRST SHRD .100CL



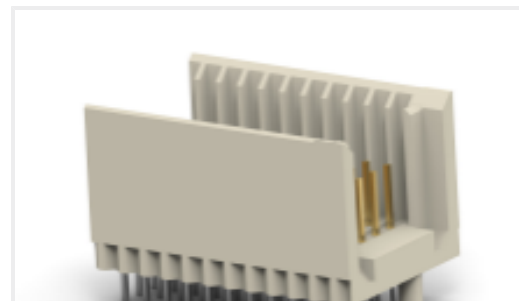
TE Part #1757830-4
AMPLIMITE,RCPT ASY,POSTD,109,ZN,
4



TE Part #3-106506-2
15P.HDP20 REC.ASSY.



TE Part #3-106507-2
25P.HDP20 REC.ASSY.



TE Part #CAT-472-Z12
Hard Metric Male Connector:
Traditional Backplane, Mezzanine,
2mm



TE Part #2000713-3
RA Keyed Guide Mod, Vita 46,
Machined

Documents

Product Drawings

Z-PACK M.CODING KEY

English

CAD Files

3D PDF

3D

Customer View Model

ENG_CVM_CVM_6-100525-4_C.2d_dxf.zip



English

Customer View Model

[ENG_CVM_CVM_6-100525-4_C.3d_igs.zip](#)

English

Customer View Model

[ENG_CVM_CVM_6-100525-4_C.3d_stp.zip](#)

English

By downloading the CAD file I accept and agree to the [Terms and Conditions](#) of use.

Product Specifications

[Application Specification](#)

English