

5917628-1 ✓ ACTIVE

CHAMP | CHAMP .050 Series I

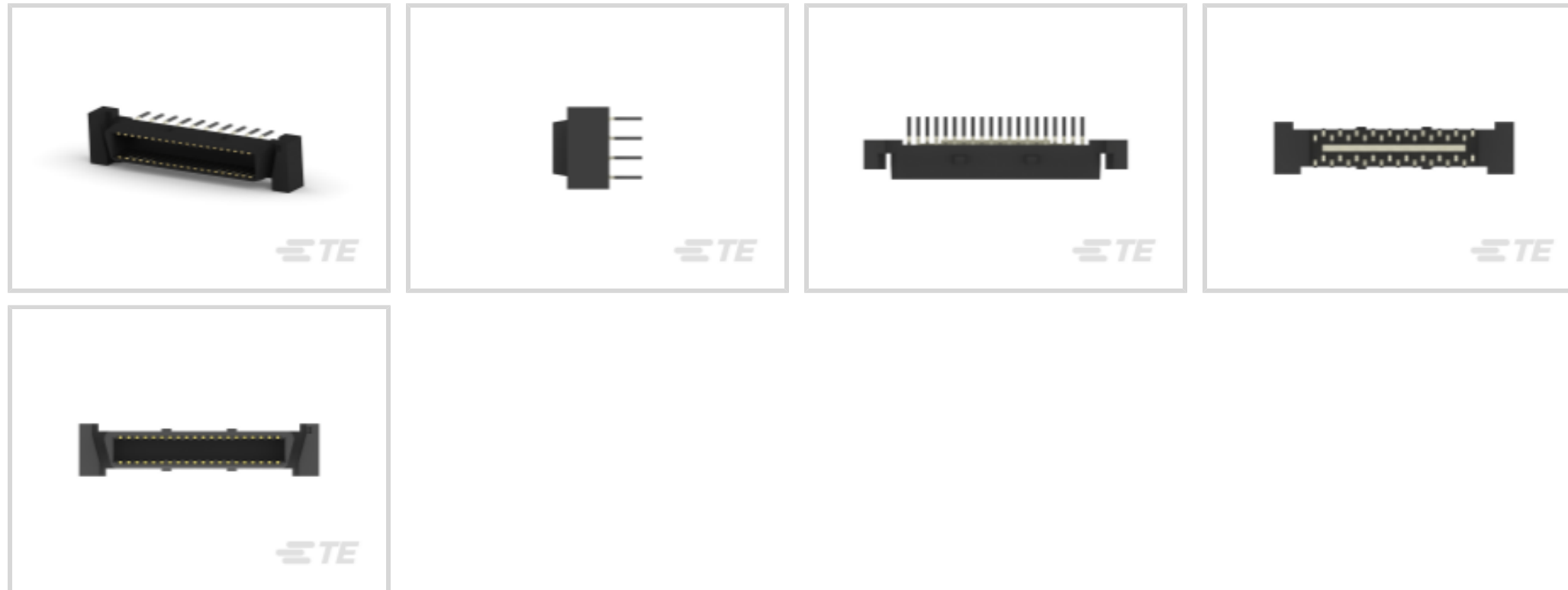
TE Internal #: 5917628-1

PCB Mount Receptacle, Vertical, Board-to-Board, 40 Position, 1.27 mm [.05 in] Centerline, Gold, Through Hole - Solder, Signal, CHAMP .050 Series I

[View on TE.com >](#)



Connectors > PCB Connectors > PCB Headers & Receptacles



PCB Connector Assembly Type: **PCB Mount Receptacle**

PCB Mount Orientation: **Vertical**

Connector System: **Board-to-Board**

Number of Positions: **40**

Centerline (Pitch): **1.27 mm [.05 in]**

Features

Electrical Characteristics

| | |
|-----------------------|------|
| Insulation Resistance | 2 MΩ |
|-----------------------|------|

Dimensions

| | |
|-----------------------------|------------------|
| Stack Height | 8 mm [.315 in] |
| Connector Width | 8 mm [.314 in] |
| PCB Thickness (Recommended) | 7.62 mm [.3 in] |
| Connector Height | 5.5 mm [.216 in] |

Packaging Features

| | |
|--------------------|-----|
| Packaging Quantity | 130 |
| Packaging Method | Box |

Industry Standards

| | |
|---|------------|
| Compatible With Agency/Standards Products | UL |
| UL Rating | Recognized |
| UL Flammability Rating | UL 94V-0 |



Mechanical Attachment

| | |
|-------------------------|-------------|
| Mating Alignment Type | Polarized |
| PCB Mount Retention | Without |
| PCB Mount Alignment | Without |
| Connector Mounting Type | Board Mount |
| Mating Alignment | With |

Termination Features

| | |
|--|-----------------------|
| Termination Post & Tail Length | 3.1 mm[.122 in] |
| Square Termination Post & Tail Dimension | .5 mm[.02 in] |
| Termination Method to PCB | Through Hole - Solder |

Contact Features

| | |
|--|--|
| Contact Underplating Material | Nickel |
| Contact Mating Area Plating Material Thickness | .3 μm [11.81 μin] |
| Mating Tab Width | .85 mm[.033 in] |
| Contact Base Material | Copper Alloy |
| Mating Tab Thickness | .32 mm[.013 in] |
| PCB Contact Termination Area Plating Material | Tin |
| Contact Mating Area Plating Material | Gold |
| Contact Type | Receptacle |
| Contact Current Rating (Max) | 1 A |

Housing Features

| | |
|--------------------|-----------------|
| Housing Material | Thermoplastic |
| Centerline (Pitch) | 1.27 mm[.05 in] |

Configuration Features

| | |
|------------------------------|----------|
| Board-to-Board Configuration | Parallel |
| Stackable | Yes |
| PCB Mount Orientation | Vertical |
| Number of Positions | 40 |

Product Type Features

| | |
|-----------------------------|----------------------|
| PCB Connector Assembly Type | PCB Mount Receptacle |
| Connector System | Board-to-Board |
| Sealable | No |



Connector & Contact Terminates To

Printed Circuit Board

Body Features

Primary Product Color

Black

Usage Conditions

Operating Temperature Range

-55 – 85 °C[-67 – 185 °F]

Operation/Application

Circuit Application

Signal

Other

EU RoHS Compliance

Compliant

EU ELV Compliance

Compliant

Product Compliance

For compliance documentation, visit the product page on [TE.com](https://www.te.com)>

EU RoHS Directive 2011/65/EU

Compliant

EU ELV Directive 2000/53/EC

Compliant

China RoHS 2 Directive MIIT Order No 32, 2016

No Restricted Materials Above Threshold

EU REACH Regulation (EC) No. 1907/2006

Current ECHA Candidate List: JUNE 2024 (241)
Candidate List Declared Against: JUNE 2024 (241)
Does not contain REACH SVHC

Halogen Content

Not Low Halogen - contains Br or Cl > 900 ppm.

Solder Process Capability

Wave solder capable to 265°C

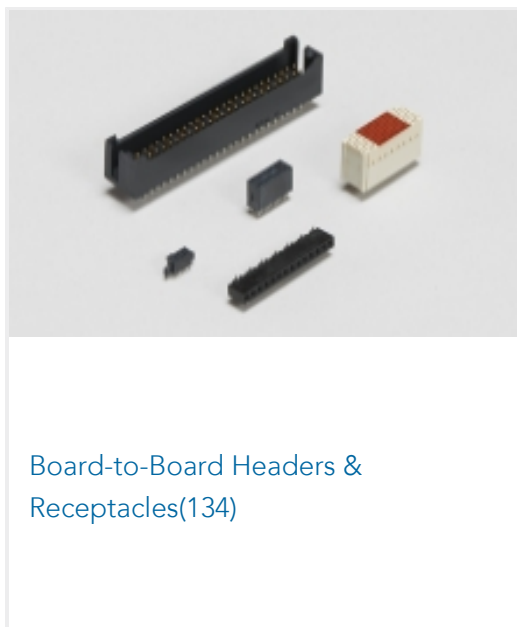
Product Compliance Disclaimer

This information is provided based on reasonable inquiry of our suppliers and represents our current actual knowledge based on the information they provided. This information is subject to change. The part numbers that TE has identified as EU RoHS compliant have a maximum concentration of 0.1% by weight in homogenous materials for lead, hexavalent chromium, mercury, PBB, PBDE, DBP, BBP, DEHP, DIBP, and 0.01% for cadmium, or qualify for an exemption to these limits as defined in the Annexes of Directive 2011/65/EU (RoHS2). Finished electrical and electronic equipment products will be CE marked as required by Directive 2011/65/EU. Components may not be CE marked. Additionally, the part numbers that TE has identified as EU ELV compliant have a maximum concentration of 0.1% by weight in homogenous materials for lead, hexavalent chromium, and mercury, and 0.01% for cadmium, or qualify for an exemption to these limits as defined in the Annexes of Directive 2000/53/EC (ELV). Regarding the REACH Regulation, the information TE provides on SVHC in articles for this part number is based on the latest European Chemicals Agency (ECHA) 'Guidance on requirements for substances in articles' posted at this URL: <https://echa.europa.eu/guidance-documents/guidance-on-reach>

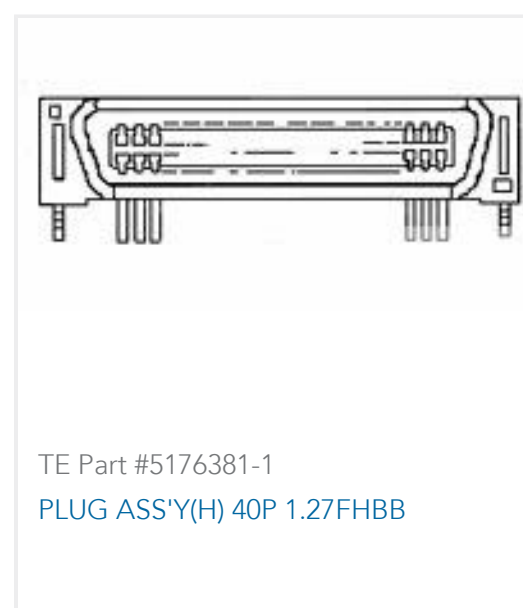
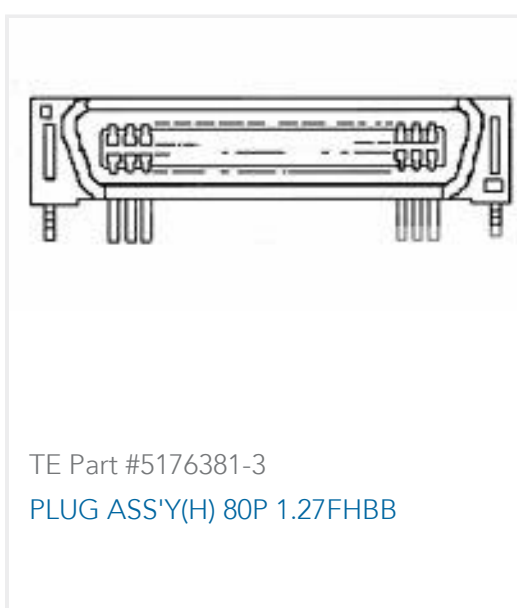
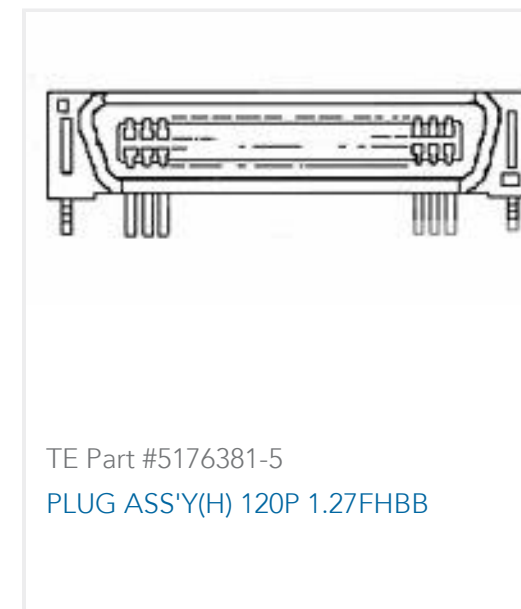
Compatible Parts



Also in the Series | CHAMP .050 Series I



Customers Also Bought



Documents

[Product Drawings](#)
[REC ASS'Y\(V\) 40P 1.27FHBB](#)

English

[CAD Files](#)

[3D PDF](#)

[3D](#)



Customer View Model

[ENG_CVM_CVM_5917628-1_B.2d_dxf.zip](#)

English

Customer View Model

[ENG_CVM_CVM_5917628-1_B.3d_igs.zip](#)

English

Customer View Model

[ENG_CVM_CVM_5917628-1_B.3d_stp.zip](#)

English

By downloading the CAD file I accept and agree to the [Terms and Conditions](#) of use.