

SCT-NO.4-E2-0-150MM ✓ ACTIVE

RAYCHEM | RAYCHEM SCT

TE Internal #: 580397-000

Heat Shrink Tubing, Black, 4:1, Dual Wall, Shrinks To 2.5 mm [.098 in], Crosslinked Polyolefin / Irradiated Modified Polyolefin, RAYCHEM SCT

[View on TE.com >](#)



Heat Shrink Tubing > SCT Heat Shrink Tubing



Tubing Product Type: **Heat Shrink Tubing**

Primary Product Color: **Black**

Wall Type: **Dual Wall**

Expanded Inside Diameter (Min): **11.6 mm, 17.78 mm [.455 in, .456 in]**

Recovered Inside Diameter (Max): **2.5 mm [.098 in]**

[All SCT Heat Shrink Tubing \(55\)](#)

Features

Product Type Features

Tubing Product Type	Heat Shrink Tubing
Wall Type	Dual Wall

Electrical Characteristics

Operating Voltage (Max)	.6 kV
-------------------------	-------

Body Features

Fluid Type	ASTM #3 Oil, ASTM Fuel C, Aviation Fuel, Brake Fluid, Diesel Fuel, Hydraulic Fluid, Lubricating Oil, Water
Primary Product Color	Black
Shrink Ratio	4:1
Primary Product Material	Crosslinked Polyolefin, Irradiated Modified Polyolefin
Flexibility	Semi-Rigid

Dimensions

Recovered Wall Thickness (Nominal)	1.52 mm[.06 in]
Product Length	150 mm[5.905 in]
Recovered Wall Thickness (Tolerance)	1.52 mm[.1 in]



Expanded Inside Diameter (Min)	11.6 mm, 17.78 mm [.455 in] [.456 in]
--------------------------------	---------------------------------------

Recovered Inside Diameter (Max)	2.5 mm [.098 in]
---------------------------------	------------------

Usage Conditions

Resistance Properties	Immersion Protection, Moisture
-----------------------	--------------------------------

Shrink Temperature (Min)	125 °C
--------------------------	--------

Tubing Flammability Type	Flame-Retardant
--------------------------	-----------------

Operating Temperature Range	-40 – 150 °C [-40 – 302 °F]
-----------------------------	-----------------------------

Recovery Temperature	135 °C
----------------------	--------

Operation/Application

Mechanical Resistance	Abrasion, Fluids, Mechanical Damage, Strain Relief, Vibration
-----------------------	---

Product Availability

Applicable Region	Global
-------------------	--------

Packaging Features

Packaging Method	Piece
------------------	-------

Other

Meets Low Outgassing Requirements	No
-----------------------------------	----

Product Source	China, Czech Republic
----------------	-----------------------

Product Compliance

[For compliance documentation, visit the product page on TE.com>](#)

EU RoHS Directive 2011/65/EU	Compliant
------------------------------	-----------

EU ELV Directive 2000/53/EC	Compliant
-----------------------------	-----------

China RoHS 2 Directive MIIT Order No 32, 2016	No Restricted Materials Above Threshold
---	---

EU REACH Regulation (EC) No. 1907/2006	Current ECHA Candidate List: JUNE 2025 (250) Candidate List Declared Against: JAN 2025 (247) Does not contain REACH SVHC
--	--

Halogen Content	Not Low Halogen - contains Br or Cl > 900 ppm.
-----------------	--

Solder Process Capability	Not applicable for solder process capability
---------------------------	--

Product Compliance Disclaimer



This information is provided based on reasonable inquiry of our suppliers and represents our current actual knowledge based on the information they provided. This information is subject to change. The part numbers that TE has identified as EU RoHS compliant have a maximum concentration of 0.1% by weight in homogenous materials for lead, hexavalent chromium, mercury, PBB, PBDE, DBP, BBP, DEHP, DIBP, and 0.01% for cadmium, or qualify for an exemption to these limits as defined in the Annexes of Directive 2011/65/EU (RoHS2). Finished electrical and electronic equipment products will be CE marked as required by Directive 2011/65/EU. Components may not be CE marked. Additionally, the part numbers that TE has identified as EU ELV compliant have a maximum concentration of 0.1% by weight in homogenous materials for lead, hexavalent chromium, and mercury, and 0.01% for cadmium, or qualify for an exemption to these limits as defined in the Annexes of Directive 2000/53/EC (ELV). Regarding the REACH Regulation, the information TE provides on SVHC in articles for this part number is based on the latest European Chemicals Agency (ECHA) 'Guidance on requirements for substances in articles' posted at this URL: <https://echa.europa.eu/guidance-documents/guidance-on-reach>

Compatible Parts



TE Part # 955018-000
CLTEQ-M105-TUNNEL-OVEN



TE Part # 2394980-1
MOD 105 TUN OVEN, 69" ENTRY,
STANDARD

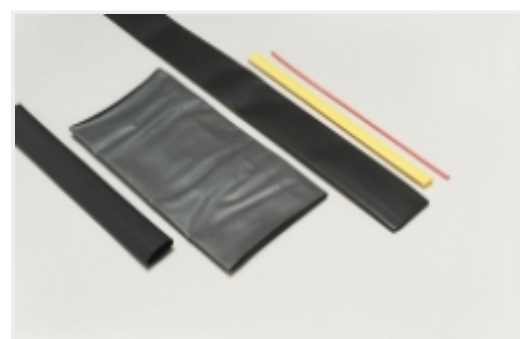


TE Part # 2326489-1
MODEL 105 TUNNEL OVEN, 36"
ENTRY, STAND

Also in the Series | RAYCHEM SCT



Dual Wall Tubing(56)



Heat Shrink Tubing(56)

Customers Also Bought



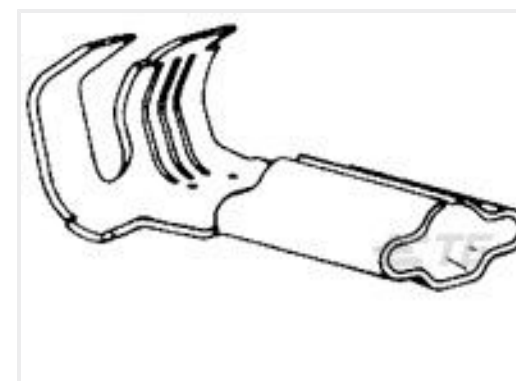
TE Part #41274
250 FASTON,REC.,18-14 AWG,TPBR



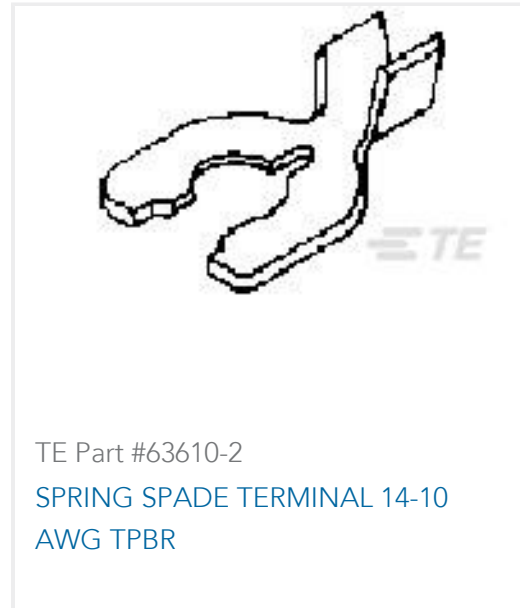
TE Part #41450
250 FASTON REC 14-10 AWG TPBR



TE Part #41772
250 FASTON REC 22-18 AWG TPBR



TE Part #60376-1
PIN 090 RECEPTACLE 20-14 AWG
TPPHBZ



Documents

Product Drawings

[SCT-NO.4-E2-0-150MM](#)

English

Datasheets & Catalog Pages

[Selecting_Correct_Tubing_1216](#)

English

[Application Tooling for Raychem Heat Shrink Product](#)

English

[Measuring_Single_Wall_Tubing](#)

English

[SCT Tubing](#)

English

Product Specifications

[Quality Specification](#)

English