

5787775-1 ✓ ACTIVE

## CHAMP | CHAMP .8 mm Connector

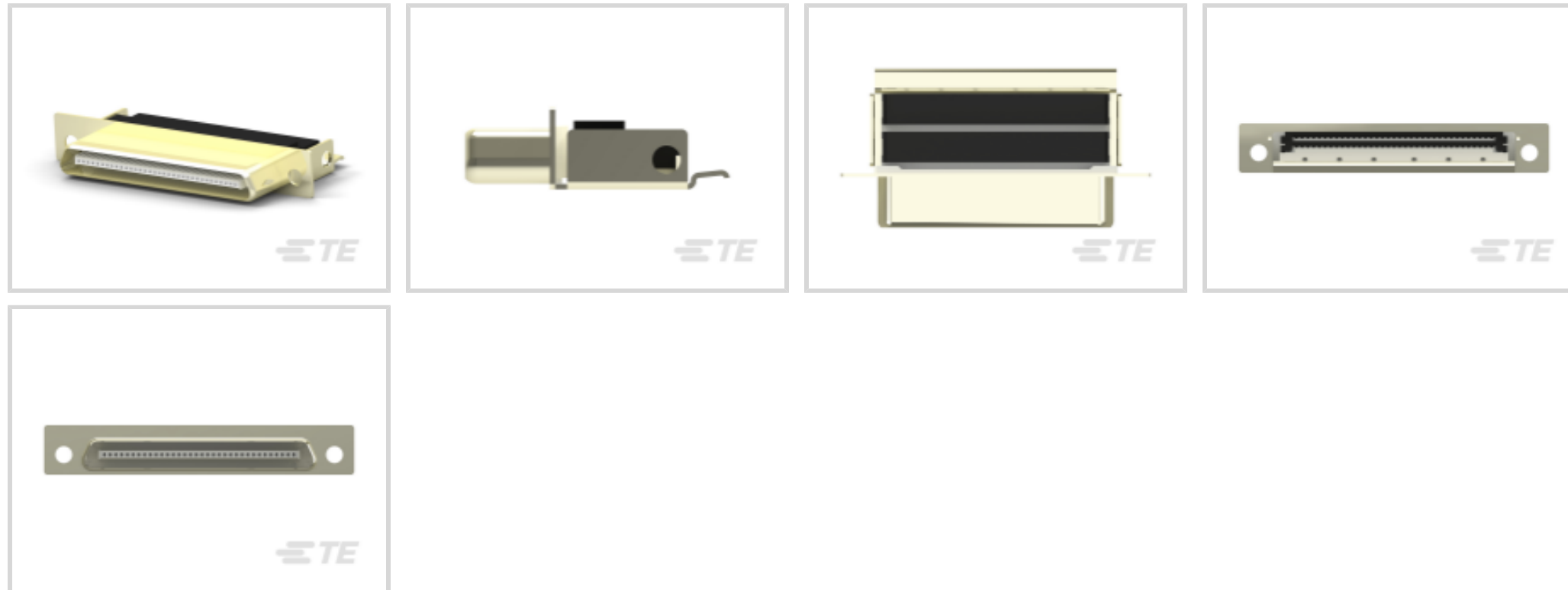
TE Internal #: 5787775-1

68 Position D-Shaped Connector, Plug, Cable-to-Cable, Cable Mount (Free-Hanging), .8 mm [.031 in] Centerline, Wire & Cable, CHAMP .8 mm Connector

[View on TE.com >](#)



Connectors > D-Shaped Connectors > IDC D-Sub: Connector Kit, Plug, Signal, 0.8 mm



Number of Positions: **68**

Connector & Housing Type: **Plug**

Connector System: **Cable-to-Cable**

Connector Mounting Type: **Cable Mount (Free-Hanging)**

Centerline (Pitch): **.8 mm [.031 in]**

[All IDC D-Sub: Connector Kit, Plug, Signal, 0.8 mm \(3\)](#)

## Features

### Product Type Features

Connector & Housing Type	Plug
Connector System	Cable-to-Cable
Connector Product Type	Connector Kit
Connector & Contact Terminates To	Wire & Cable

### Configuration Features

Number of Positions	68
Number of Rows	2
Compatible With Wire & Cable Type	Discrete Wire, Round Jacketed Cable

### Body Features

Shell Plating Material	Tin
Primary Product Color	Natural

### Contact Features



Contact Mating Area Plating Material	Gold (Au)
Contact Base Material	Phosphor Bronze
Contact Mating Area Plating Material Thickness	.76 $\mu\text{m}$ [30 $\mu\text{in}$ ]
Wire Contact Termination Area Plating Material	Tin
Contact Current Rating (Max)	.3 A, .5 A, 1.5 A
Contact Options	Installed

### Termination Features

Termination Method to Wire & Cable	Insulation Displacement (IDC)
------------------------------------	-------------------------------

### Mechanical Attachment

Connector Mounting Type	Cable Mount (Free-Hanging)
-------------------------	----------------------------

### Housing Features

Housing Material	Liquid Crystal Polymer (LCP)
Shell Material	Carbon Steel
Centerline (Pitch)	.8 mm[.031 in]

### Dimensions

Compatible Insulation Diameter Range	.56 – .64 mm
Stranded Wire Size	.05 mm <sup>2</sup>

### Usage Conditions

Operating Temperature Range	-55 – 85 °C[-67 – 185 °F]
-----------------------------	---------------------------

### Operation/Application

Shielded	Yes
Circuit Application	Signal

### Industry Standards

UL Flammability Rating	UL 94V-0
------------------------	----------

### Packaging Features

Packaging Method	Package
Packaging Quantity	1

### Product Compliance

For compliance documentation, visit the product page on [TE.com](https://www.te.com)>

EU RoHS Directive 2011/65/EU	Compliant
EU ELV Directive 2000/53/EC	Compliant



China RoHS 2 Directive MIIT Order No 32, 2016	有害物质含量符合标准要求 No Restricted Substance(s) Above Threshold
EU REACH Regulation (EC) No. 1907/2006	Current ECHA Candidate List: JUNE 2025 (250) Candidate List Declared Against: JUNE 2025 (250) Does not contain REACH SVHC
Halogen Content	Low Halogen - Br, Cl, F < 900 ppm per homogenous material. Also BFR/CFR/PVC Free
Solder Process Capability	Not applicable for solder process capability

Product Compliance Disclaimer

This information is provided based on reasonable inquiry of our suppliers and represents our current actual knowledge based on the information they provided. This information is subject to change. The part numbers that TE has identified as EU RoHS compliant have a maximum concentration of 0.1% by weight in homogenous materials for lead, hexavalent chromium, mercury, PBB, PBDE, DBP, BBP, DEHP, DIBP, and 0.01% for cadmium, or qualify for an exemption to these limits as defined in the Annexes of Directive 2011/65/EU (RoHS2). Finished electrical and electronic equipment products will be CE marked as required by Directive 2011/65/EU. Components may not be CE marked. Additionally, the part numbers that TE has identified as EU ELV compliant have a maximum concentration of 0.1% by weight in homogenous materials for lead, hexavalent chromium, and mercury, and 0.01% for cadmium, or qualify for an exemption to these limits as defined in the Annexes of Directive 2000/53/EC (ELV). Regarding the REACH Regulation, the information TE provides on SVHC in articles for this part number is based on the latest European Chemicals Agency (ECHA) 'Guidance on requirements for substances in articles' posted at this URL: <https://echa.europa.eu/guidance-documents/guidance-on-reach>

## Compatible Parts



TE Part # 5796055-1  
68 CHAMP R/A ASSY,LC



TE Part # 5796055-4  
68 CHAMP R/A ASSY, LONG TAIL



TE Part # CAT-469-DRSC9008  
D-Sub Receptacle Stacked Assembly: Right Angle, 0.8mm



TE Part # 787229-1  
68 .8MM CHAMP BACKSHELL KIT



TE Part # 787231-1  
.8MM CHAMP, BULK KIT



TE Part # CAT-020-DRCV127  
CHAMP D-Sub Receptacle Assembly: Vertical, 1.27mm



TE Part # CAT-469-D650155  
IDC D-Sub: Connector Kit, Plug, Signal, 0.8 mm



TE Part # 5796055-2  
68 CHAMP R/A ASSY, LC



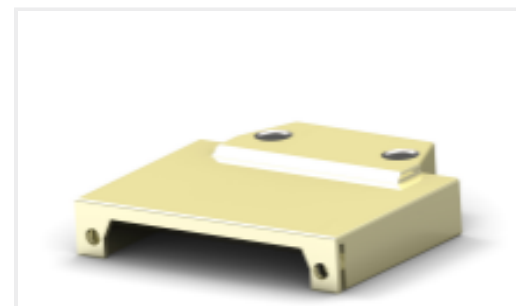
TE Part # 5787191-1  
.8 CHAMP BACKSHELL KIT, BULK



TE Part # 5787233-1  
50 .8MM CHAMP BACKSHELL KIT



TE Part # 6658751-1  
.8MM CHAMP, 50 POS, RCPT ASSY



TE Part # 5788362-1  
.8MM CHAMP BACKSHELL KIT



TE Part # 787003-3  
.8MM LATCHING POST, BRDMT, BULK

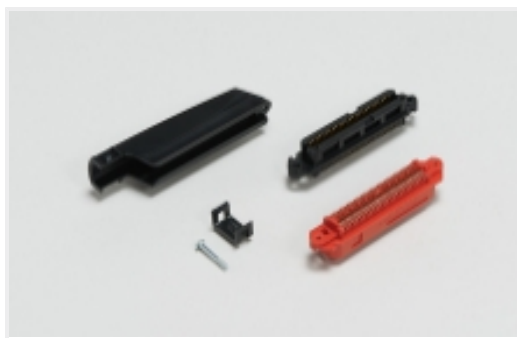


TE Part # 787004-3  
.8MM SCREWLOCK BRDMT, BULK

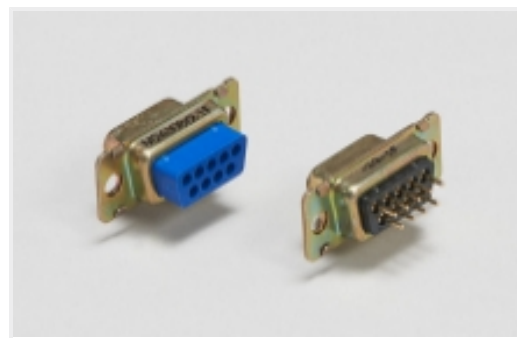
Also in the Series | **CHAMP .8 mm Connector**



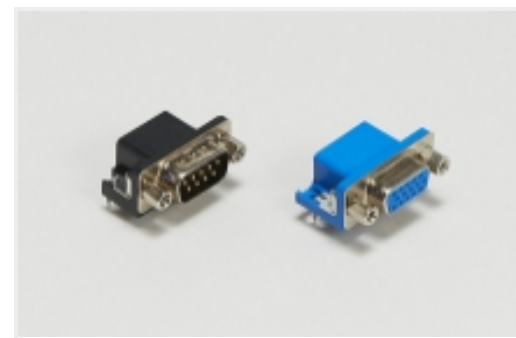
Connector Backshells(5)



IDC D-Sub Connectors(3)



Panel Mount D-Sub Connectors(4)



PCB D-Sub Connectors(9)

Customers Also Bought



TE Part #806059-SF  
FN9260-10-06



TE Part #CONSMA005-R178  
SMA Jack 50 Ohm Cable Crimp



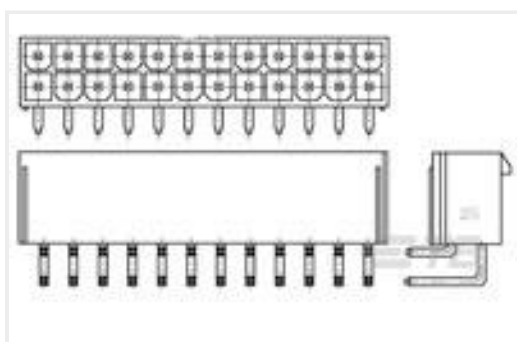
TE Part #3-745130-9  
SHLDING FERRULE, PLTD, BULK PKG



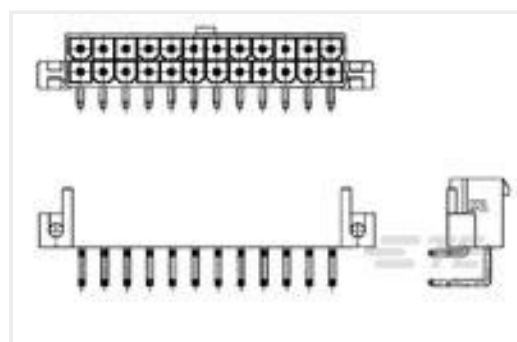
TE Part #2-746610-4  
060 DIP PLUG 100CL TIN



TE Part #1410336-2  
PIN GUIDE KEYED 9mm PLATED 24-



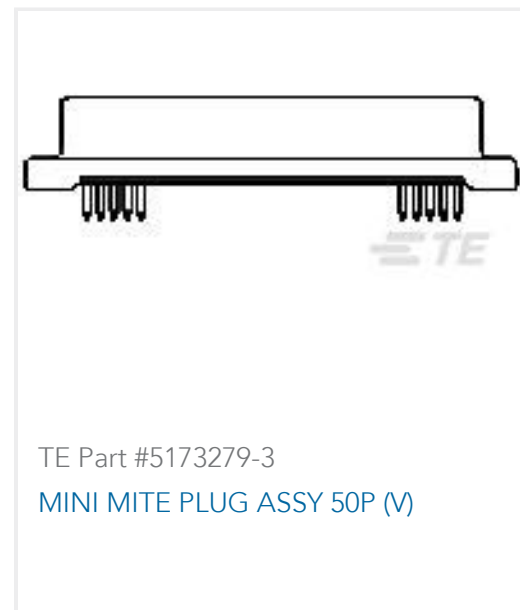
TE Part #1586041-2  
2P VAL-U-LOK R/A HDR V2



TE Part #1586043-4  
4P VAL-U-LOK R/A HDR SCR MT V2



TE Part #1761465-3  
PCI Express RA assy 5.8mm slot 2.3 mm pc



## Documents

### Product Drawings

#### [68 .8MM CHAMP OFFSET CBL KIT](#)

English

### CAD Files

#### Customer View Model

##### [ENG\\_CVM\\_CVM\\_5787775-1\\_O.2d\\_dxf.zip](#)

English

#### 3D PDF

3D

#### Customer View Model

##### [ENG\\_CVM\\_CVM\\_5787775-1\\_O.3d\\_igs.zip](#)

English

#### Customer View Model

##### [ENG\\_CVM\\_CVM\\_5787775-1\\_O.3d\\_stp.zip](#)

English

By downloading the CAD file I accept and agree to the [Terms and Conditions](#) of use.

### Product Specifications

#### [Application Specification](#)

English

### Instruction Sheets

#### [Instruction Sheet \(U.S.\)](#)

English

#### [Instruction Sheet \(U.S.\)](#)

English

#### [Mass Termination Tooling Assembly 543580-1 & Cutter Subassembly 543610](#)

English

#### [Instruction Sheet \(U.S.\)](#)

English