



AMPLIMITE

TE Internal #: 5786144-1

TE Internal Description: 15 RCPT ACT PIN/MS SCRLK

D-Sub Receptacle Assembly: Vertical, Action Pin, Shell Size 2, 2.74 mm

[View on TE.com >](#)

Connectors > D-Shaped Connectors > D-Sub Connectors > PCB D-Sub Connectors >

D-Sub Receptacle Assembly: Vertical, Action Pin, Shell Size 2, 2.74mm



Connector & Housing Type: **Receptacle**

Connector System: **Board-to-Board**

Number of Positions: **15**

Centerline (Pitch): **2.74 mm [.108 in]**

Number of Rows: **2**

[All D-Sub Receptacle Assembly: Vertical, Action Pin, Shell Size 2, 2.74mm \(0\)](#)

Features

Industry Standards

UL Flammability Rating	UL 94V-0
------------------------	----------

Termination Features

Rectangular Termination Post & Tail Width	.86 mm[.034 in]
Rectangular Termination Post & Tail Thickness	.63 mm[.025 in]
Termination Method to PCB	Through Hole - Press-Fit
Termination Post & Tail Length	5.8 mm[.228 in]

Contact Features

Contact Underplating Material	Nickel, Palladium Nickel
	30 µin
Contact Options	Installed
Contact Mating Area Plating Material	Gold
Contact Base Material	Copper Alloy
PCB Contact Termination Area Plating Material	Tin

Packaging Features

Packaging Quantity	104
Packaging Method	Tray

Mechanical Attachment

Mounting Hole Diameter	3.05 mm[.12 in]
PCB Mount Retention	With
PCB Mount Retention Type	Action/Compliant Tail, Mounting Hole
Mating Retention	With
Mating Retention Type	Female Screwlocks, Fixed
Connector Mounting Type	Board Mount

Body Features

Shell Plating Material	Tin over Copper
Mating Feature Material	Brass
Primary Product Color	Black
Connector Profile	Standard

Dimensions

PCB Thickness (Recommended)	1.57 mm, 2.36 mm[.062 in][.093 in]
Row-to-Row Spacing	2.84 mm[.112 in]

Housing Features

Housing Material	Nylon GF, Polyester GF
Shell Material	Carbon Steel
Centerline (Pitch)	2.74 mm[.108 in]

Product Type Features

Shell Material Configuration	Front Metal Shell
Connector & Housing Type	Receptacle
Connector System	Board-to-Board
Connector Shell Size	2
Connector & Contact Terminates To	Printed Circuit Board

Configuration Features

Number of Positions	15
Number of Rows	2
PCB Mount Orientation	Vertical

Usage Conditions

Operating Temperature Range	-55 – 105 °C[-67 – 221 °F]
-----------------------------	----------------------------

Operation/Application



Circuit Application

Signal

Other

EU RoHS Compliance

Compliant with Exemptions

EU ELV Compliance

Compliant with Exemptions

Product Compliance

[For compliance documentation, visit the product page on TE.com>](#)

EU RoHS Directive 2011/65/EU

Compliant with Exemptions

EU ELV Directive 2000/53/EC

Compliant with Exemptions

China RoHS 2 Directive MIIT Order No 32, 2016

Restricted Materials Above Threshold

EU REACH Regulation (EC) No. 1907/2006

Current ECHA Candidate List: JUNE 2024 (241)
 Candidate List Declared Against: JAN 2024 (240)
 SVHC > Threshold:
 Pb (3.7% in Component Part)

Article Safe Usage Statements:

Do not eat, drink or smoke when using this product. Wash thoroughly after handling. Recycle if possible and dispose of the article by following all applicable governmental regulations relevant to your geographic location.

Halogen Content

Not Low Halogen - contains Br or Cl > 900 ppm.

Solder Process Capability

Not applicable for solder process capability

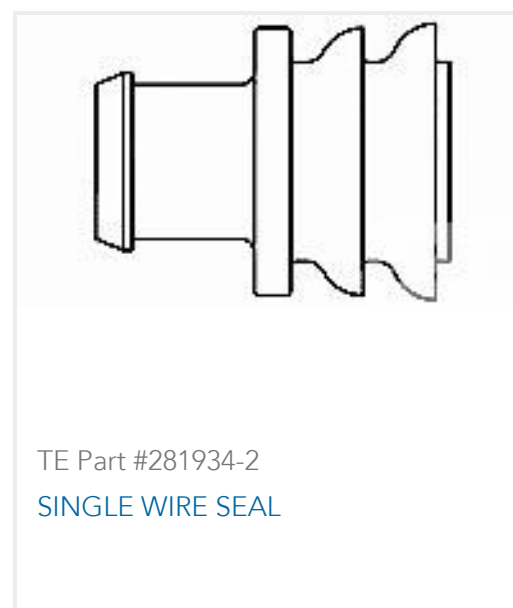
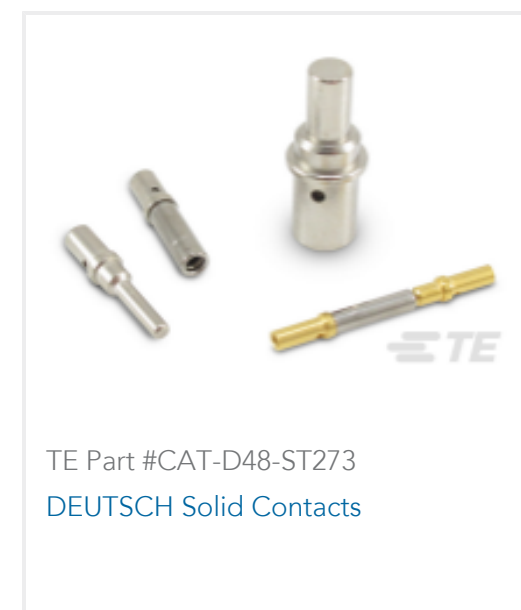
Product Compliance Disclaimer

This information is provided based on reasonable inquiry of our suppliers and represents our current actual knowledge based on the information they provided. This information is subject to change. The part numbers that TE has identified as EU RoHS compliant have a maximum concentration of 0.1% by weight in homogenous materials for lead, hexavalent chromium, mercury, PBB, PBDE, DBP, BBP, DEHP, DIBP, and 0.01% for cadmium, or qualify for an exemption to these limits as defined in the Annexes of Directive 2011/65/EU (RoHS2). Finished electrical and electronic equipment products will be CE marked as required by Directive 2011/65/EU. Components may not be CE marked. Additionally, the part numbers that TE has identified as EU ELV compliant have a maximum concentration of 0.1% by weight in homogenous materials for lead, hexavalent chromium, and mercury, and 0.01% for cadmium, or qualify for an exemption to these limits as defined in the Annexes of Directive 2000/53/EC (ELV). Regarding the REACH Regulation, the information TE provides on SVHC in articles for this part number is based on the latest European Chemicals Agency (ECHA) 'Guidance on requirements for substances in articles' posted at this URL: <https://echa.europa.eu/guidance-documents/guidance-on-reach>

Compatible Parts



Customers Also Bought



Documents

Product Drawings

15 RCPT ACT PIN/MS SCRLK

English

CAD Files

Customer View Model

[ENG_CVM_CVM_5786144-1_B.2d_dxf.zip](#)

English

3D PDF

3D

Customer View Model

[ENG_CVM_CVM_5786144-1_B.3d_igs.zip](#)

English

Customer View Model

[ENG_CVM_CVM_5786144-1_B.3d_stp.zip](#)

English

By downloading the CAD file I accept and agree to the [Terms and Conditions](#) of use.



Product Specifications

Application Specification

English

Agency Approvals

UL Report

English