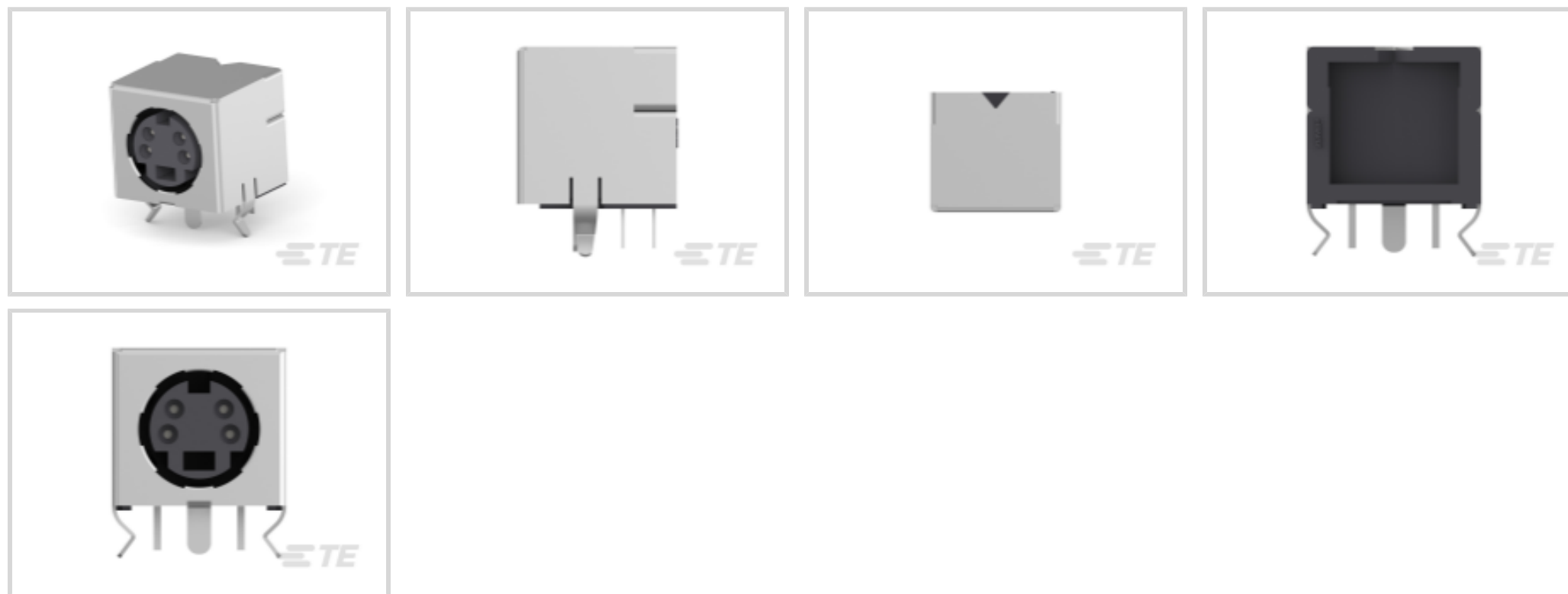




[View on TE.com >](#)

Connectors > Circular Connectors > DIN Connectors



Circular DIN Connector Type: **Mini DIN**  
 Connector System: **Wire-to-Board**  
 Number of Positions: **4**  
 Connector Contact Load Condition: **Fully Loaded**  
 Mating Alignment Type: **Keyed**

### Features

#### Electrical Characteristics

Operating Voltage	30 VAC
-------------------	--------

#### Usage Conditions

Operating Temperature Range	-55 – 105 °C[-67 – 221 °F]
-----------------------------	----------------------------

#### Industry Standards

UL Flammability Rating	UL 94V-0
------------------------	----------

#### Termination Features

Termination Method to PCB	Through Hole - Solder
Termination Post & Tail Length	3.18 mm[.125 in]

#### Body Features

Shield Plating Finish	Bright
Shield Plating Material	Tin over Nickel
Shield Material	Copper Alloy
Panel Ground Feature Type	None
Primary Product Color	Black



### Dimensions

Product Width	12.83 mm[.5 in]
Product Length	14 mm[.55 in]
PCB Thickness (Recommended)	2.68 mm[.11 in]
Connector Height	13 mm[.51 in]

### Packaging Features

Packaging Quantity	40
Packaging Method	Tube

### Operation/Application

Shielded	Yes
Circuit Application	Signal

### Contact Features

Contact Underplating Material	Nickel
Contact Underplating Material Thickness	1.27 $\mu$ m[50 $\mu$ in]
PCB Contact Termination Area Plating Material Finish	Matte
Contact Shape & Form	Tuning Fork
PCB Contact Termination Area Plating Material Thickness	3.05 $\mu$ m, 4.02 $\mu$ m[170 $\mu$ in]
Contact Layout	Staggered
Contact Mating Area Plating Material	Gold Flash
Contact Base Material	Copper Alloy
PCB Contact Termination Area Plating Material	Tin
Contact Current Rating (Max)	.5 A

### Housing Features

Housing Material	Thermoplastic
Centerline (Pitch)	6.5 mm[.26 in]

### Mechanical Attachment

Panel Mount Feature	With
Panel Mount Feature Type	Screw Nut
Mating Alignment	With
PCB Mount Alignment	With
PCB Mount Alignment Type	Hold-Down
Mating Alignment Type	Keyed



PCB Mount Retention	With
PCB Mount Retention Type	Kinked Legs
Connector Mounting Type	Board Mount

### Configuration Features

PCB Mount Orientation	Right Angle
Number of Positions	4
Connector Contact Load Condition	Fully Loaded

### Product Type Features

Circular DIN Connector Type	Mini DIN
Connector System	Wire-to-Board
Connector & Contact Terminates To	Printed Circuit Board

### Other

EU RoHS Compliance	Compliant
EU ELV Compliance	Compliant

### Product Compliance

[For compliance documentation, visit the product page on TE.com>](#)

EU RoHS Directive 2011/65/EU	Compliant
EU ELV Directive 2000/53/EC	Compliant
China RoHS 2 Directive MIIT Order No 32, 2016	No Restricted Materials Above Threshold
EU REACH Regulation (EC) No. 1907/2006	Current ECHA Candidate List: JUNE 2024 (241) Candidate List Declared Against: JUNE 2024 (241) Does not contain REACH SVHC
Halogen Content	Low Halogen - Br, Cl, F, I < 900 ppm per homogenous material. Also BFR/CFR/PVC Free
Solder Process Capability	Wave solder capable to 265°C

#### Product Compliance Disclaimer

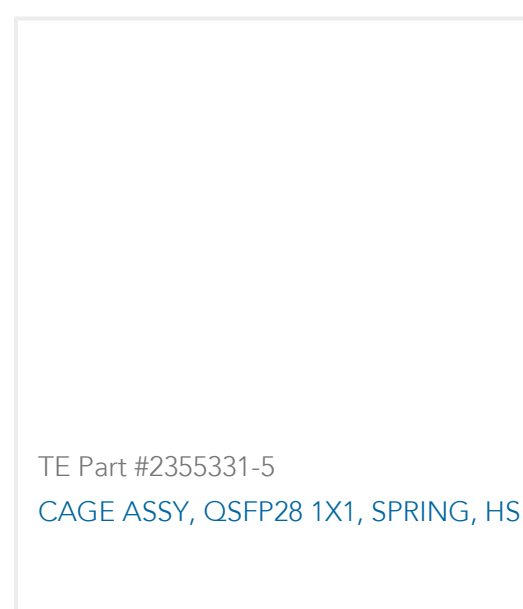
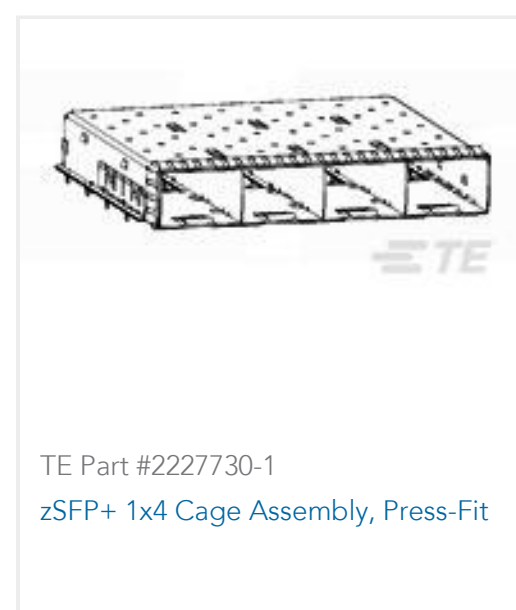
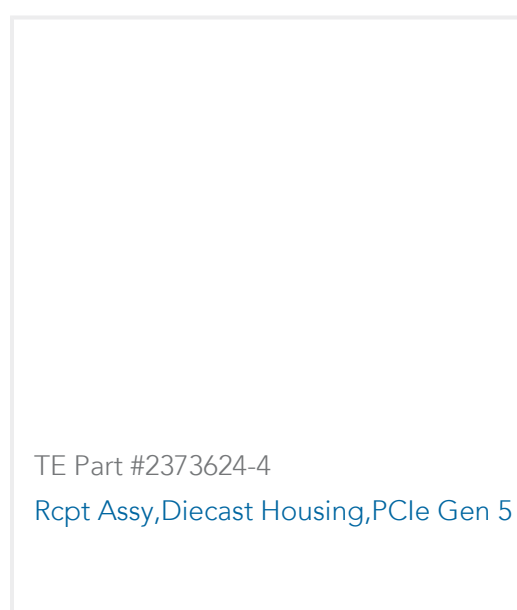
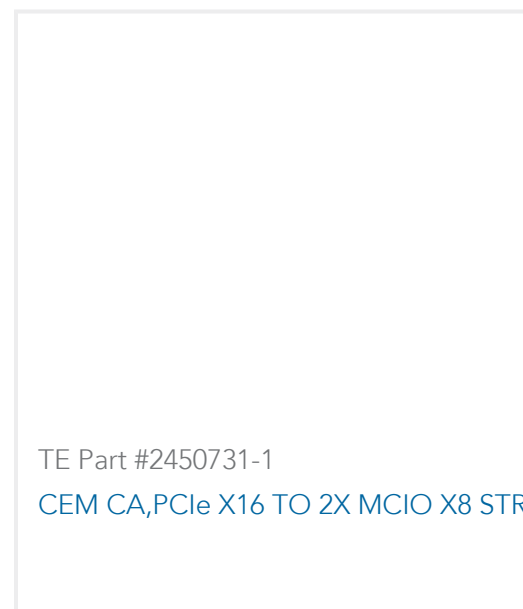
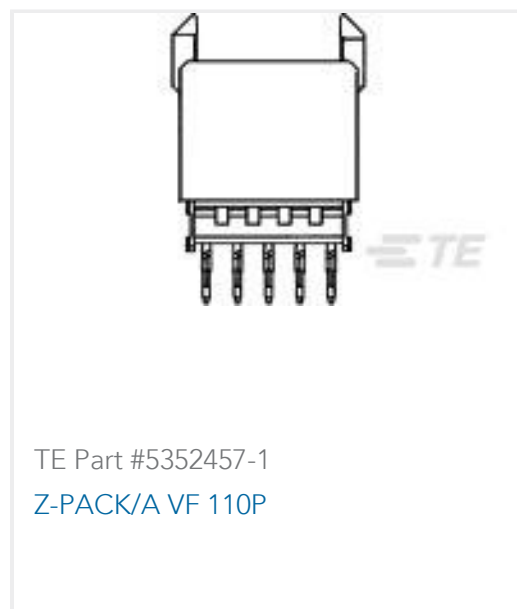
This information is provided based on reasonable inquiry of our suppliers and represents our current actual knowledge based on the information they provided. This information is subject to change. The part numbers that TE has identified as EU RoHS compliant have a maximum concentration of 0.1% by weight in homogenous materials for lead, hexavalent chromium, mercury, PBB, PBDE, DBP, BBP, DEHP, DIBP, and 0.01% for cadmium, or qualify for an exemption to these limits as defined in the Annexes of Directive 2011/65/EU (RoHS2). Finished electrical and electronic equipment products will be CE marked as required by Directive 2011/65/EU. Components may not be CE marked. Additionally, the part numbers that TE has identified as EU ELV compliant have a maximum concentration of 0.1% by weight in homogenous materials for lead, hexavalent chromium, and mercury, and 0.01% for cadmium, or qualify for an exemption to these limits

as defined in the Annexes of Directive 2000/53/EC (ELV). Regarding the REACH Regulation, the information TE provides on SVHC in articles for this part number is based on the latest European Chemicals Agency (ECHA) 'Guidance on requirements for substances in articles' posted at this URL: <https://echa.europa.eu/guidance-documents/guidance-on-reach>

## Compatible Parts



## Customers Also Bought



## Documents

### Product Drawings

Mini DIN, 4 pos, R/A, Shield

English



---

### CAD Files

#### 3D PDF

3D

#### Customer View Model

[ENG\\_CVM\\_CVM\\_5749230-1\\_A.2d\\_dxf.zip](#)

English

#### Customer View Model

[ENG\\_CVM\\_CVM\\_5749230-1\\_A.3d\\_igs.zip](#)

English

#### Customer View Model

[ENG\\_CVM\\_CVM\\_5749230-1\\_A.3d\\_stp.zip](#)

English

By downloading the CAD file I accept and agree to the [Terms and Conditions](#) of use.

---

### Product Specifications

#### Application Specification

English