



Connectors > Connector Accessories > Connector Hardware



Connector Hardware Accessory Type: **Screw Retainer Kit**

Hardware Accessory Function: **Latching, Locking & Retention**

EU RoHS Compliance: **Compliant with Exemptions**

EU ELV Compliance: **Compliant with Exemptions**

Features

Mechanical Attachment

Thread Size	4-40
-------------	------

Packaging Features

Packaging Method	Bag, Bulk
Packaging Quantity	1000

Dimensions

Product Feature Length	7.62 mm[.3 in]
------------------------	----------------

Product Type Features

Connector Hardware Accessory Type	Screw Retainer Kit
Hardware Accessory Function	Latching, Locking & Retention

Other

EU RoHS Compliance	Compliant with Exemptions
EU ELV Compliance	Compliant with Exemptions

Product Compliance

[For compliance documentation, visit the product page on TE.com>](#)

EU RoHS Directive 2011/65/EU	Compliant with Exemptions
EU ELV Directive 2000/53/EC	Compliant with Exemptions
China RoHS 2 Directive MIIT Order No 32, 2016	Restricted Materials Above Threshold
EU REACH Regulation (EC) No. 1907/2006	<p>Current ECHA Candidate List: JUNE 2024 (241)</p> <p>Candidate List Declared Against: JUNE 2024 (241)</p> <p>SVHC > Threshold:</p> <p>Pb (.35% in Component Part)</p> <p>Article Safe Usage Statements: Do not eat, drink or smoke when using this product. Wash thoroughly after handling. Recycle if possible and dispose of the article by following all applicable governmental regulations relevant to your geographic location.</p>
Halogen Content	Low Halogen - Br, Cl, F, I < 900 ppm per homogenous material. Also BFR/CFR/PVC Free
Solder Process Capability	Not applicable for solder process capability

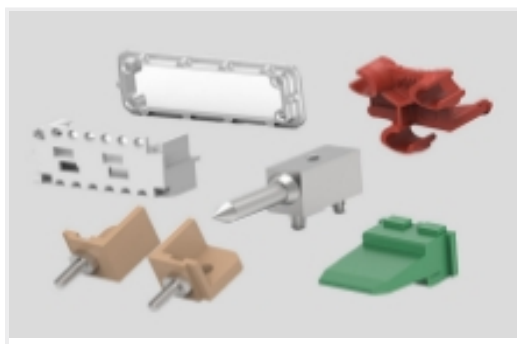
Product Compliance Disclaimer

This information is provided based on reasonable inquiry of our suppliers and represents our current actual knowledge based on the information they provided. This information is subject to change. The part numbers that TE has identified as EU RoHS compliant have a maximum concentration of 0.1% by weight in homogenous materials for lead, hexavalent chromium, mercury, PBB, PBDE, DBP, BBP, DEHP, DIBP, and 0.01% for cadmium, or qualify for an exemption to these limits as defined in the Annexes of Directive 2011/65/EU (RoHS2). Finished electrical and electronic equipment products will be CE marked as required by Directive 2011/65/EU. Components may not be CE marked. Additionally, the part numbers that TE has identified as EU ELV compliant have a maximum concentration of 0.1% by weight in homogenous materials for lead, hexavalent chromium, and mercury, and 0.01% for cadmium, or qualify for an exemption to these limits as defined in the Annexes of Directive 2000/53/EC (ELV). Regarding the REACH Regulation, the information TE provides on SVHC in articles for this part number is based on the latest European Chemicals Agency (ECHA) 'Guidance on requirements for substances in articles' posted at this URL: <https://echa.europa.eu/guidance-documents/guidance-on-reach>

Compatible Parts



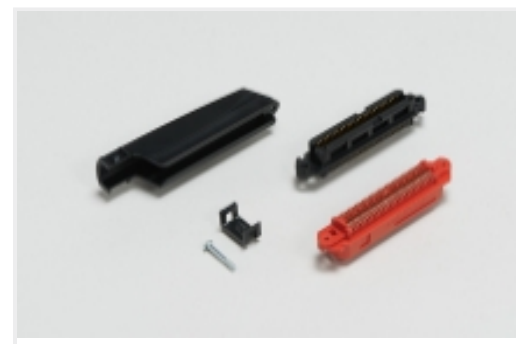
Also in the Series | **AMPLIMITE HDF**



Connector Hardware(3)



Connector Strain Relief(5)

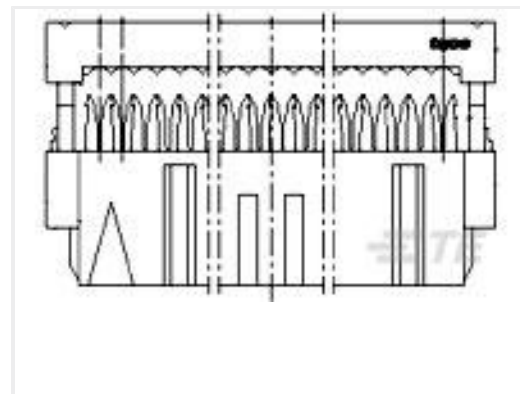


IDC D-Sub Connectors(36)

Customers Also Bought



TE Part #QWB152-L
WHIP, QW, 1/4,152-162MHz 157, 0dB,
BK, G



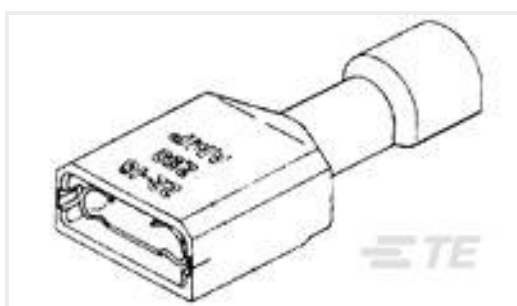
TE Part #1-215882-4
14 WAY GREY MK II RECP



TE Part #1445022-6
MICRO MNL RFECEPT HSG SINGLE R



TE Part #1-794611-2
MICRO MNL RPT CNT,LS PC,30AU L



TE Part #3-520406-2
ULTRA-FAST 250 ASY REC 16-14 AWG
TPBR



TE Part #5-747904-5
9 Plug Solder Cup, 30 gold, Ro



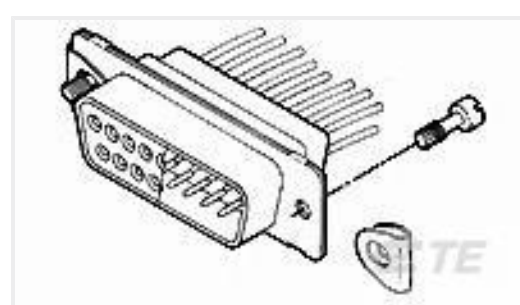
TE Part #794616-4
FREE HANG DBL ROW HSG 4 POS



TE Part #2160463004
55A0111-24-0



TE Part #166053-1
COSI PIN CONTACT HD20 DF; 24-20
AWG



TE Part #5205980-4
SCREW RETAINER KIT

Documents

CAD Files

3D PDF

3D

Customer View Model

[ENG_CVM_CVM_5746881-2_A.2d_dxf.zip](#)

English

Customer View Model

[ENG_CVM_CVM_5746881-2_A.3d_igs.zip](#)



English

Customer View Model

[ENG_CVM_CVM_5746881-2_A.3d_stp.zip](#)

English

By downloading the CAD file I accept and agree to the [Terms and Conditions](#) of use.

Instruction Sheets

[Instruction Sheet \(U.S.\)](#)

English