

5746443-8 ✓ ACTIVE

AMP-LATCH | AMP-LATCH Universal Headers

TE Internal #: 5746443-8

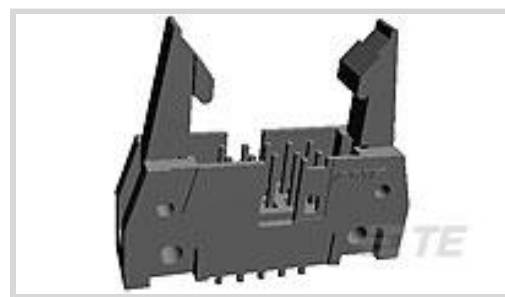
Wire-to-Board, 34 Position, 2.54 mm [.1 in] Centerline, Vertical, Through Hole - Press-Fit, AMP-LATCH Universal Headers, Ribbon Cable Connectors

[View on TE.com >](#)



Connectors > PCB Connectors > Wire-to-Board Connectors > FFC, FPC & Ribbon Connectors > Ribbon Cable Connectors >

AMP-LATCH UNIVERSAL HEADERS



Connector System: **Wire-to-Board**

Number of Positions: **34**

Centerline (Pitch): **2.54 mm [.1 in]**

PCB Mount Retention: **With**

PCB Mount Retention Type: **Action/Compliant Tail**

[All AMP-LATCH UNIVERSAL HEADERS \(523\)](#)

Features

Electrical Characteristics

Insulation Resistance	5000 MΩ
-----------------------	---------

Industry Standards

UL Flammability Rating	UL 94V-0
------------------------	----------

Packaging Features

Packaging Quantity	18
Packaging Method	Box

Usage Conditions

Housing Temperature Rating	Standard
Operating Temperature Range	-65 – 105 °C[-85 – 221 °F]

Contact Features

Contact Mating Area Plating Material Thickness	.76 μm[30 μin]
Mating Square Post Dimension	.64 mm[.025 in]
PCB Contact Termination Area Plating Material Thickness	2.54 μm[100 μin]
Contact Shape & Form	Square
Contact Mating Area Plating Material	Gold
Contact Base Material	Phosphor Bronze, Brass



PCB Contact Termination Area Plating Material	Tin
Contact Type	Pin
Contact Current Rating (Max)	1 A

Body Features

Primary Product Color	Black
Connector Profile	Standard

Dimensions

Shrouded End Dimension	3.81 mm[.15 in]
PCB Thickness (Recommended)	2.03 mm[.08 in]
Connector Height	13.94 mm[.549 in]
Connector Length	62.48 mm[2.459 in]
Row-to-Row Spacing	2.54 mm[.1 in]

Termination Features

Termination Post & Tail Length	4.42 mm[.174 in]
Square Termination Post & Tail Dimension	.64 mm[.025 in]
Termination Method to PCB	Through Hole - Press-Fit

Mechanical Attachment

Panel Mount Feature	Without
Mating Alignment	With
PCB Mount Alignment	Without
PCB Mount Retention	With
PCB Mount Retention Type	Action/Compliant Tail
Mating Alignment Type	Center & Dual
Mating Retention	With
Mating Retention Type	Ejection Latch
Connector Mounting Type	Board Mount

Housing Features

Housing Material	Glass-Filled Nylon/Polyester
Centerline (Pitch)	2.54 mm[.1 in]

Product Type Features

Connector Product Type	Connector Assembly
Connector Mating Latch & Lock Type	Long



Ribbon Cable Connector Header Type	Universal Ejection Pin Headers
Connector System	Wire-to-Board
Connector & Housing Type	Plug
Connector & Contact Terminates To	Printed Circuit Board

Configuration Features

Number of Positions	34
PCB Mount Orientation	Vertical
Number of Rows	2

Operation/Application

Circuit Application	Signal
---------------------	--------

Other

EU RoHS Compliance	Compliant
EU ELV Compliance	Compliant

Product Compliance

[For compliance documentation, visit the product page on TE.com>](#)

EU RoHS Directive 2011/65/EU	Compliant
EU ELV Directive 2000/53/EC	Compliant
China RoHS 2 Directive MIIT Order No 32, 2016	No Restricted Materials Above Threshold
EU REACH Regulation (EC) No. 1907/2006	Current ECHA Candidate List: JUNE 2024 (241) Candidate List Declared Against: JUNE 2024 (241) Does not contain REACH SVHC
Halogen Content	Not Low Halogen - contains Br or Cl > 900 ppm.
Solder Process Capability	Not applicable for solder process capability

Product Compliance Disclaimer

This information is provided based on reasonable inquiry of our suppliers and represents our current actual knowledge based on the information they provided. This information is subject to change. The part numbers that TE has identified as EU RoHS compliant have a maximum concentration of 0.1% by weight in homogenous materials for lead, hexavalent chromium, mercury, PBB, PBDE, DBP, BBP, DEHP, DIBP, and 0.01% for cadmium, or qualify for an exemption to these limits as defined in the Annexes of Directive 2011/65/EU (RoHS2). Finished electrical and electronic equipment products will be CE marked as required by Directive 2011/65/EU. Components may not be CE marked. Additionally, the part numbers that TE has identified as EU ELV compliant have a maximum concentration of 0.1% by weight in homogenous materials for lead, hexavalent chromium, and mercury, and 0.01% for cadmium, or qualify for an exemption to these limits as defined in the Annexes of Directive 2000/53/EC (ELV). Regarding the REACH Regulation, the information TE provides on SVHC in articles for this part number is based on the latest European Chemicals Agency (ECHA) 'Guidance on requirements for substances in articles' posted at this URL: <https://echa.europa.eu/guidance-documents/guidance-on-reach>

Compatible Parts



TE Part # 1658620-8
34 NOVO MIL 15DP, LEAD FREE



TE Part # 1658622-8
34 NOVO MIL/CTR 30DP, LEAD FREE



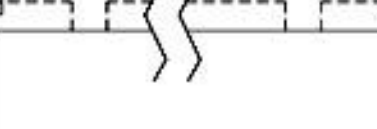
TE Part # 1-1658526-9
609-3441LF FEM SOCKET, LEAD FREE



TE Part # 2-1658527-8
622-3441LF=FSKT IDC S 34 30AU



TE Part # 1658624-8
034 NOVO DUAL 30DP FT



TE Part # 3-1437021-2
609-3431HD=FSKT IDC S 34 SR



TE Part # 3-6437021-6
609-3441CELF=FSKT IDC S 34 30A



TE Part # 1-1658526-8
609-3430LF FEM SOCKET, LEAD FREE



TE Part # 102320-1
UNIVERSAL HEADER LATCH



TE Part # 1658528-6
636-3441LF FEM SOCKET, LEAD FREE



TE Part # 1658621-8
34 NOVO MIL/CTR 15DP, LEAD FREE

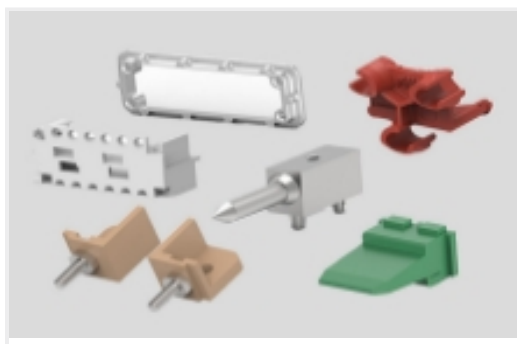


TE Part # 499252-6
034 STRAIN RELIEF A-L RCPT



TE Part # 1658623-8
34 NOVO MIL 30DP, LEAD FREE

Also in the Series | [AMP-LATCH Universal Headers](#)

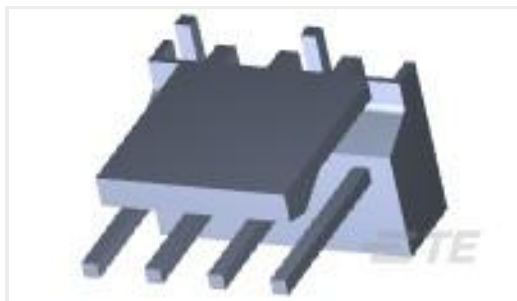


Connector Hardware(13)



Ribbon Cable Connectors(523)

Customers Also Bought

TE Part #3-647168-4
04P MTA100 HDR ASSY SM 30AU LFTE Part #1-2007492-6
SFP+assy2x1 EMI Sprg Inner LP Sn
EnhanceTE Part #2323767-3
DD-DD, 28AWG 2-8PR, 2.0MTE Part #3-1879494-3
CRGH0603 5% 22R 0.2WTE Part #2007788-3
IMP100S,H,V3P10C,UG,OEWS39,5,5TE Part #2309407-2
DDR4 SODIMM 260P 4.0H STDTE Part #2007209-1
CONNECTOR ASSY, HIGH CURRENT
CARD EDGE,TE Part #1-2301994-2
RJ45 JACK INT.MAG. 1GB LED 1X1TE Part #796055-2
68 CHAMP R/A ASSY,LCTE Part #3-794637-8
08P MICRO MNL ASSY,VRT,SMT LF

Documents

Product Drawings

[A/L UNIV HDR 34P ACT PIN LAT](#)

English

CAD Files

[3D PDF](#)

3D

[Customer View Model](#)

[ENG_CVM_CVM_5746443-8_C.2d_dxf.zip](#)



English

Customer View Model

[ENG_CVM_CVM_5746443-8_C.3d_igs.zip](#)

English

Customer View Model

[ENG_CVM_CVM_5746443-8_C.3d_stp.zip](#)

English

By downloading the CAD file I accept and agree to the [Terms and Conditions](#) of use.

Product Specifications

[Application Specification](#)

English