

55679-2 ✓ ACTIVE

PLASTI-GRIP

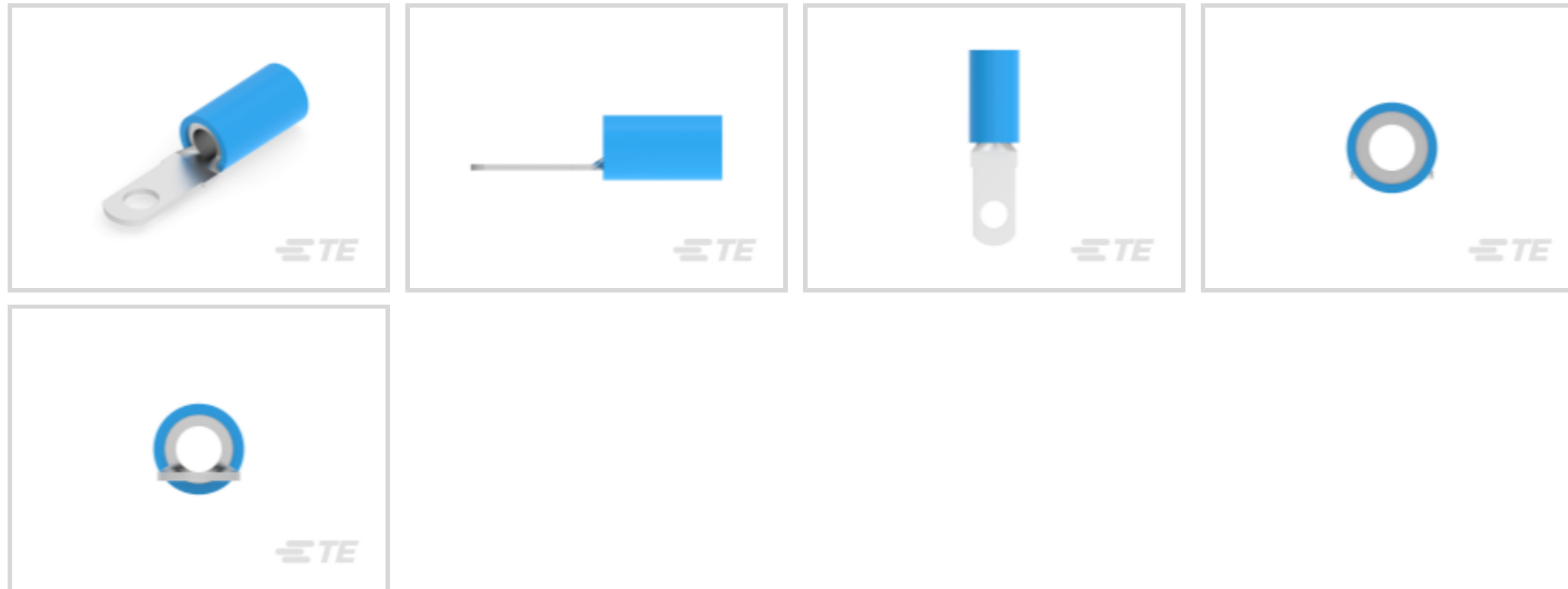
TE Internal #: 55679-2

Closed Ring Tongue Terminal, 6 AWG, 1/4 / M6 Stud, 6.73 mm [.265 in] Stud Diameter, Closed Barrel, Straight, Tin Plating, PLASTI-GRIP

[View on TE.com >](#)



Terminals & Splices > Ring Terminals



Ring Terminal Product Type: Closed Ring Tongue Terminal

Wire Size: 20800 – 33100 CMA

Stud Size: 1/4, M6

Features

Mechanical Attachment

Wire Insulation Support	With
-------------------------	------

Electrical Characteristics

Voltage Rating	600 V
----------------	-------

Industry Standards

Government Qualified Terminal	No
-------------------------------	----

Packaging Features

Packaging Quantity	500
Packaging Method	Tape Mounted

Product Type Features

Ring Terminal Product Type	Closed Ring Tongue Terminal
Stud Size	1/4, M6
Sealable	No
Wire Insulation Support Retention Type	Insulation Support

Contact Features

Barrel Type	Closed
-------------	--------



Terminal Orientation	Straight
Terminal Plating Material	Tin

Dimensions

Wire Size	20800 – 33100 CMA
Stud Diameter	6.73 mm [.265 in]
Tongue Thickness	1.14 mm [.045 in]
Product Length	46.89 mm [1.846 in]
Compatible Insulation Diameter (Max)	11.43 mm [.45 in]
Compatible Insulation Diameter Range	11.43 mm [.45 in]

Usage Conditions

Insulation Option	Partially Insulated
-------------------	---------------------

Operation/Application

Compatible With Wire Base Material	Copper
Compatible With Wire Plating Material	Tin

Other

EU RoHS Compliance	Compliant
EU ELV Compliance	Compliant

Product Compliance

[For compliance documentation, visit the product page on TE.com>](#)

EU RoHS Directive 2011/65/EU	Compliant
EU ELV Directive 2000/53/EC	Compliant
China RoHS 2 Directive MIIT Order No 32, 2016	No Restricted Materials Above Threshold
EU REACH Regulation (EC) No. 1907/2006	Current ECHA Candidate List: JUNE 2024 (241) Candidate List Declared Against: JUNE 2024 (241) Does not contain REACH SVHC
Halogen Content	Not Low Halogen - contains Br or Cl > 900 ppm.
Solder Process Capability	Not applicable for solder process capability

Product Compliance Disclaimer

This information is provided based on reasonable inquiry of our suppliers and represents our current actual knowledge based on the information they provided. This information is subject to change. The part numbers that TE has identified as EU RoHS compliant have a maximum concentration of 0.1% by weight in homogenous materials for lead, hexavalent

chromium, mercury, PBB, PBDE, DBP, BBP, DEHP, DIBP, and 0.01% for cadmium, or qualify for an exemption to these limits as defined in the Annexes of Directive 2011/65/EU (RoHS2). Finished electrical and electronic equipment products will be CE marked as required by Directive 2011/65/EU. Components may not be CE marked. Additionally, the part numbers that TE has identified as EU ELV compliant have a maximum concentration of 0.1% by weight in homogenous materials for lead, hexavalent chromium, and mercury, and 0.01% for cadmium, or qualify for an exemption to these limits as defined in the Annexes of Directive 2000/53/EC (ELV). Regarding the REACH Regulation, the information TE provides on SVHC in articles for this part number is based on the latest European Chemicals Agency (ECHA) 'Guidance on requirements for substances in articles' posted at this URL: <https://echa.europa.eu/guidance-documents/guidance-on-reach>

Compatible Parts



Also in the Series | PLASTI-GRIP



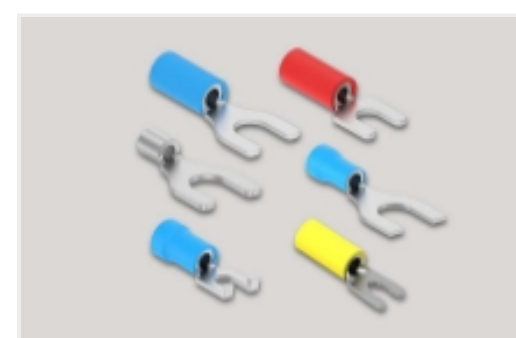
Compression Connectors(3)



Crimp Wire Pins, Tabs & Ferrules(20)



Ring Terminals(310)

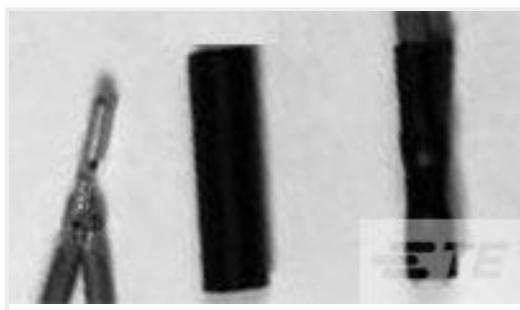


Spade Terminals(159)

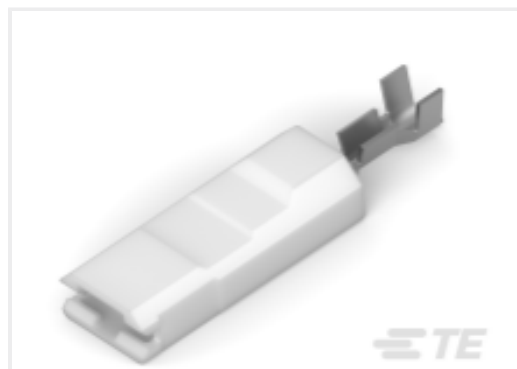


Splices(45)

Customers Also Bought



TE Part #520197P044
RT-3-NO.2-0-1.125IN



TE Part #CAT-UL8-250
ULTRA POD: Straight, Receptacle Assembly, Tin Plated, 0.25 inch



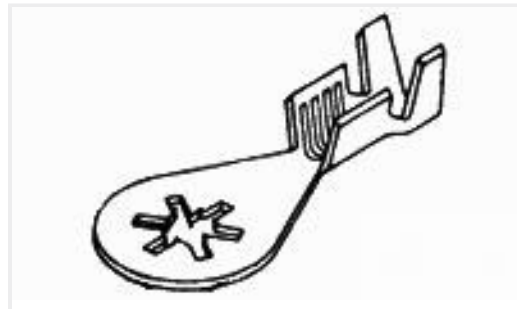
TE Part #42110-3
RING TERMINAL 18-14 AWG BR



TE Part #1-770849-2
12P SL156 HSG W/LCK RMP & TABS



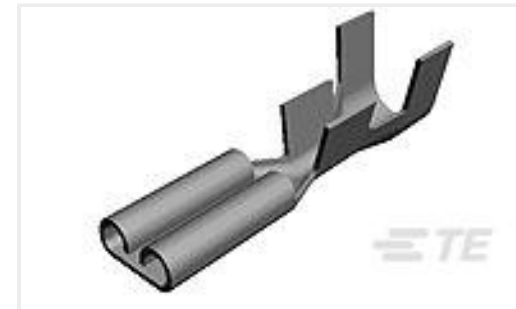
TE Part #55678-2
TERM,PG RING 12-10 1/4



TE Part #640204-1
RING .164 (4.17 MM) 22-18 AWG TPST



TE Part #52963-1
TERMINAL,PG SPR SPD 12-10 10



TE Part #41772
250 FASTON REC 22-18 AWG TPBR

Documents

Product Drawings

TERMINAL R PG 6 1/4

English

CAD Files

3D PDF

3D

Customer View Model

[ENG_CVM_CVM_55679-2_L.2d_dxf.zip](#)

English

Customer View Model

[ENG_CVM_CVM_55679-2_L.3d_igs.zip](#)

English

Customer View Model

[ENG_CVM_CVM_55679-2_L.3d_stp.zip](#)

English

By downloading the CAD file I accept and agree to the [Terms and Conditions](#) of use.

Product Specifications

Application Specification

English

Instruction Sheets

Instruction Sheet (U.S.)

English

Agency Approvals

UL Report

55679-2

Closed Ring Tongue Terminal, 6 AWG, 1/4 / M6 Stud, 6.73 mm [.265 in] Stud Diameter, Closed Barrel, Straight, Tin Plating, PLASTI-GRIP



English