



CHAMP

TE Internal #: 5556622-2

Receptacle, Cable-to-Board, 64 Position, 2.16 mm [.085 in]

Centerline, 2 Row, Standard Profile, Vertical, Printed Circuit Board,

PCB D-Sub Connectors

[View on TE.com >](#)

Connectors > D-Shaped Connectors > D-Sub Connectors > PCB D-Sub Connectors > D-Sub Receptacle Assembly: Vertical, Action Pin, 2.16mm



Connector & Housing Type: **Receptacle**

Connector System: **Cable-to-Board**

Number of Positions: **64**

Centerline (Pitch): **2.16 mm [.085 in]**

Number of Rows: **2**

[All D-Sub Receptacle Assembly: Vertical, Action Pin, 2.16mm \(10\)](#)

Features

Industry Standards

UL Flammability Rating	UL 94V-0
------------------------	----------

Termination Features

Rectangular Termination Post & Tail Width	.48 mm[.019 in]
Rectangular Termination Post & Tail Thickness	.66 mm[.026 in]
Termination Method to PCB	Through Hole - Press-Fit
Termination Post & Tail Length	4.57 mm[.18 in]

Contact Features

	30 μin
Contact Options	Installed
Contact Mating Area Plating Material	Gold
Contact Base Material	Phosphor Bronze
PCB Contact Termination Area Plating Material	Tin

Packaging Features

Packaging Quantity	20
Packaging Method	Tray

Operation/Application

--	--



Shielded	Yes
----------	-----

Circuit Application	Signal
---------------------	--------

Body Features

Shield Plating Material	Nickel
-------------------------	--------

Insert Material	Brass
-----------------	-------

Shield Material	Carbon Steel
-----------------	--------------

Primary Product Color	Black
-----------------------	-------

Connector Profile	Standard
-------------------	----------

Housing Features

Housing Material	Polyphenylene Oxide (PPO)
------------------	---------------------------

Centerline (Pitch)	2.16 mm [.085 in]
--------------------	-------------------

Product Type Features

Connector & Housing Type	Receptacle
--------------------------	------------

Connector System	Cable-to-Board
------------------	----------------

Connector & Contact Terminates To	Printed Circuit Board
-----------------------------------	-----------------------

Configuration Features

Number of Positions	64
---------------------	----

Number of Rows	2
----------------	---

PCB Mount Orientation	Vertical
-----------------------	----------

Mechanical Attachment

PCB Mount Retention	With
---------------------	------

PCB Mount Retention Type	Retention Leg
--------------------------	---------------

Mating Retention	With
------------------	------

Mating Retention Type	Screwlocks
-----------------------	------------

Connector Mounting Type	Board Mount
-------------------------	-------------

Dimensions

Row-to-Row Spacing	4.3 mm [.169 in]
--------------------	------------------

Usage Conditions

Operating Temperature Range	-40 – 105 °C [-40 – 221 °F]
-----------------------------	-----------------------------

Other

EU RoHS Compliance	Compliant with Exemptions
--------------------	---------------------------

EU ELV Compliance	Compliant with Exemptions
-------------------	---------------------------

Product Compliance

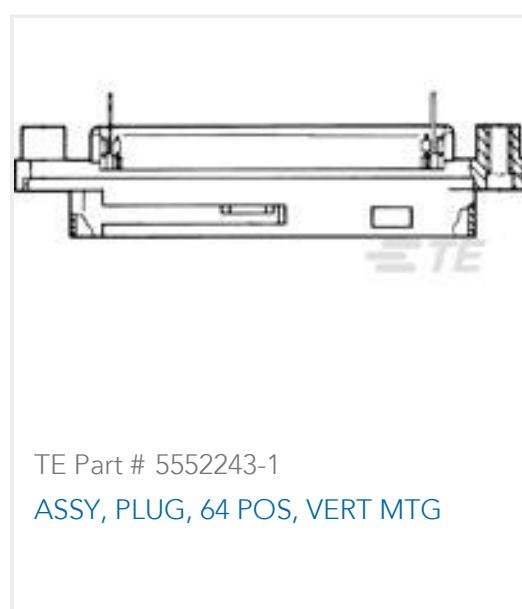
[For compliance documentation, visit the product page on TE.com>](#)

EU RoHS Directive 2011/65/EU	Compliant with Exemptions
EU ELV Directive 2000/53/EC	Compliant with Exemptions
China RoHS 2 Directive MIIT Order No 32, 2016	Restricted Materials Above Threshold
EU REACH Regulation (EC) No. 1907/2006	Current ECHA Candidate List: JUNE 2024 (241) Candidate List Declared Against: JUNE 2024 (241) SVHC > Threshold: Pb (3.7% in Component Part) Article Safe Usage Statements: Do not eat, drink or smoke when using this product. Wash thoroughly after handling. Recycle if possible and dispose of the article by following all applicable governmental regulations relevant to your geographic location.
Halogen Content	Not Low Halogen - contains Br or Cl > 900 ppm.
Solder Process Capability	Not applicable for solder process capability

Product Compliance Disclaimer

This information is provided based on reasonable inquiry of our suppliers and represents our current actual knowledge based on the information they provided. This information is subject to change. The part numbers that TE has identified as EU RoHS compliant have a maximum concentration of 0.1% by weight in homogenous materials for lead, hexavalent chromium, mercury, PBB, PBDE, DBP, BBP, DEHP, DIBP, and 0.01% for cadmium, or qualify for an exemption to these limits as defined in the Annexes of Directive 2011/65/EU (RoHS2). Finished electrical and electronic equipment products will be CE marked as required by Directive 2011/65/EU. Components may not be CE marked. Additionally, the part numbers that TE has identified as EU ELV compliant have a maximum concentration of 0.1% by weight in homogenous materials for lead, hexavalent chromium, and mercury, and 0.01% for cadmium, or qualify for an exemption to these limits as defined in the Annexes of Directive 2000/53/EC (ELV). Regarding the REACH Regulation, the information TE provides on SVHC in articles for this part number is based on the latest European Chemicals Agency (ECHA) 'Guidance on requirements for substances in articles' posted at this URL: <https://echa.europa.eu/guidance-documents/guidance-on-reach>

Compatible Parts



Customers Also Bought



TE Part #1542924-2
HEATSINK SFP ROUND PIN FIN.



TE Part #5767017-3
MICT,900PLUG,114,ASSY,.025,REC



TE Part #6469074-1
HM-ZD 4PR HDR ASSY 1.8MM



TE Part #5556622-1
RCPT ASSY,64POS,SHLD,ACTN PIN



TE Part #2018280-3
KIT, SEATING TOOL, SFP+2x4



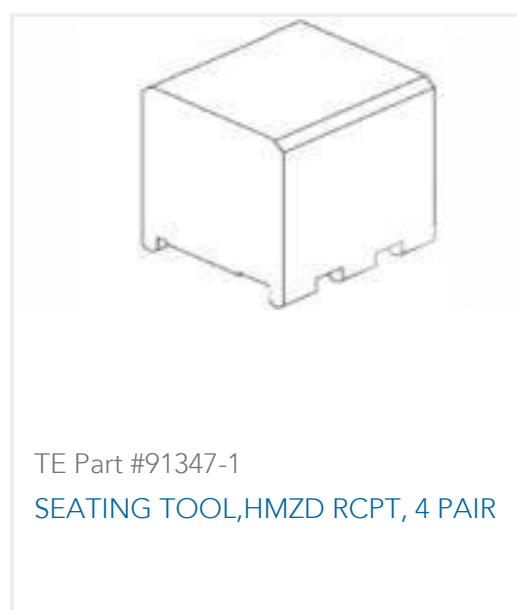
TE Part #1-2007394-5
SFP+assy 2x4 Spring Fingers 4



TE Part #1888506-1
2X4 OFFSET,SHLD,RJ45,STJK ASSY



TE Part #2063048-3
SFP, 2x2 EXTRACTION TOOL ASSY



TE Part #91347-1
SEATING TOOL, HMZD RCPT, 4 PAIR



TE Part #2-6609075-5
10DAS1=F7987

Documents

Product Drawings

[RCPT ASSY,64P,SHLD,A-PIN,SN-PB](#)

English

CAD Files

[3D PDF](#)

English

Customer View Model

[ENG_CVM_5556622-2_O.2d_dxf.zip](#)

English

Customer View Model

[ENG_CVM_5556622-2_O.3d_igs.zip](#)

English

Customer View Model

[ENG_CVM_5556622-2_O.3d_stp.zip](#)

English

By downloading the CAD file I accept and agree to the [Terms and Conditions](#) of use.

Product Specifications



Application Specification

English