

552276-1 ✓ ACTIVE

CHAMP | CHAMP Docking Connectors

TE Internal #: 552276-1

Plug, 26 – 24 AWG Solid Wire, .13 – .32 mm² Solid Wire, .33 mm²

Stranded Wire, 24 AWG Stranded Wire, CHAMP Docking

Connectors, IDC D-Sub Connectors

[View on TE.com >](#)



Connectors > D-Shaped Connectors > D-Sub Connectors > IDC D-Sub Connectors > IDC D-Sub: Plug Assembly, Signal, Cable to Cable, 2.16 mm



Connector & Housing Type: **Plug**

Solid Wire Size: **.13 – .32 mm²**

Stranded Wire Size: **.33 mm²**

[All IDC D-Sub: Plug Assembly, Signal, Cable to Cable, 2.16 mm \(19\)](#)

Features

Termination Features

Termination Method to Wire & Cable	Insulation Displacement (IDC)
------------------------------------	-------------------------------

Body Features

Primary Product Color	Black
-----------------------	-------

Connector Profile	Standard
-------------------	----------

Packaging Features

Packaging Method	Package, Box & Tray
------------------	---------------------

Packaging Quantity	100
--------------------	-----

Mechanical Attachment

Mating Retention	With
------------------	------

Mating Retention Type	Screwlocks
-----------------------	------------

Connector Mounting Type	Cable Mount (Free-Hanging)
-------------------------	----------------------------

Contact Features

Contact Underplating Material	Palladium Nickel
-------------------------------	------------------

Contact Mating Area Plating Material	Gold Flash, Gold
--------------------------------------	------------------

Contact Base Material	Copper Alloy
-----------------------	--------------

Contact Mating Area Plating Material Thickness	.76 μm[30 μin]
--	----------------

Contact Options	Installed
-----------------	-----------

Contact Current Rating (Max)	3.5 A
------------------------------	-------

Housing Features

Housing Material	Thermoplastic
Centerline (Pitch)	2.16 mm [.085 in]

Operation/Application

Circuit Application	Signal
Shielded	No

Dimensions

Compatible Insulation Diameter (Max)	1.14 mm [.045 in]
Solid Wire Size	.13 – .32 mm ²
Stranded Wire Size	.33 mm ²
Wire Size	26 – 24 AWG

Product Type Features

Connector & Housing Type	Plug
Connector System	Cable-to-Cable
Connector Product Type	Connector Assembly
Connector & Contact Terminates To	Wire & Cable

Configuration Features

Number of Positions	64
Number of Rows	2
Compatible With Wire & Cable Type	Discrete Wire, Round Jacketed Cable

Usage Conditions

Operating Temperature Range	-40 – 75 °C [-40 – 167 °F]
-----------------------------	----------------------------

Other

EU RoHS Compliance	Compliant
EU ELV Compliance	Compliant

Product Compliance

[For compliance documentation, visit the product page on TE.com>](#)

EU RoHS Directive 2011/65/EU	Compliant
EU ELV Directive 2000/53/EC	Compliant
China RoHS 2 Directive MIIT Order No 32, 2016	No Restricted Materials Above Threshold
EU REACH Regulation (EC) No. 1907/2006	



Current ECHA Candidate List: JUNE 2024 (241)
 Candidate List Declared Against: JUNE 2024 (241)
 Does not contain REACH SVHC

Halogen Content	Low Bromine/Chlorine - Br and Cl < 900 ppm per homogenous material. Also BFR /CFR/PVC Free
-----------------	--

Solder Process Capability	Not applicable for solder process capability
---------------------------	--

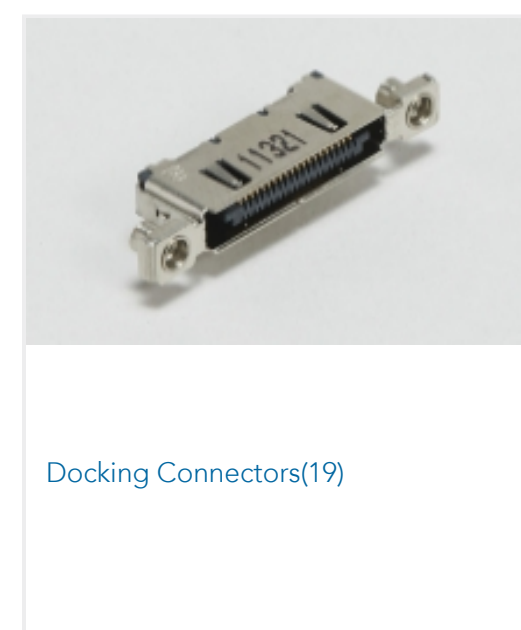
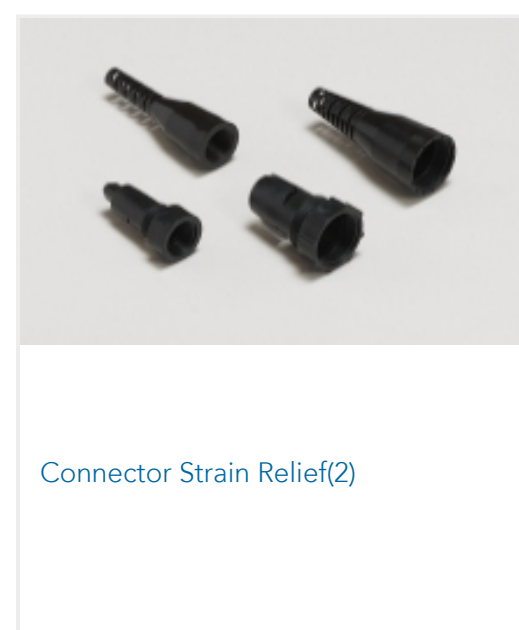
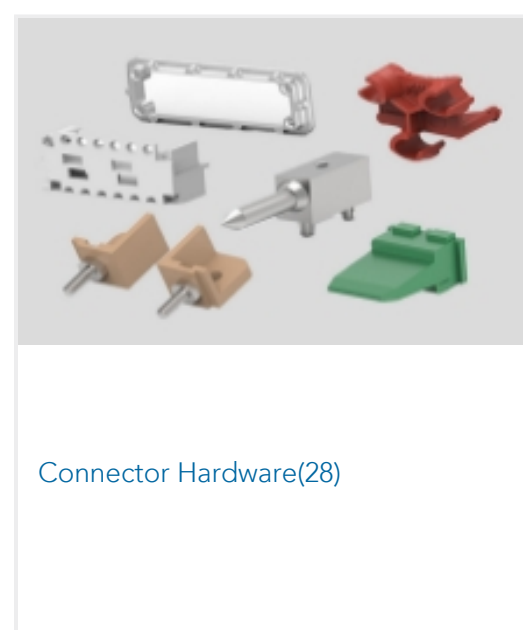
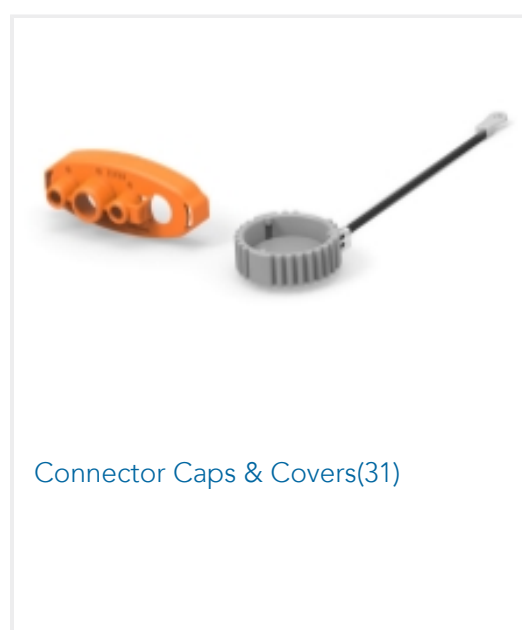
Product Compliance Disclaimer

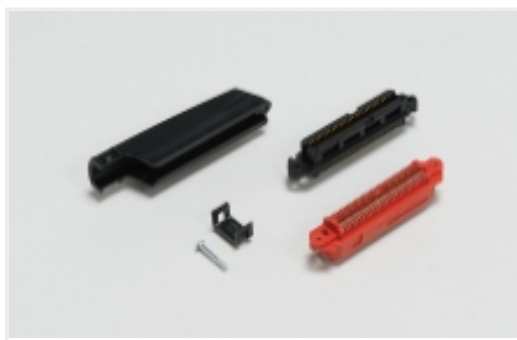
This information is provided based on reasonable inquiry of our suppliers and represents our current actual knowledge based on the information they provided. This information is subject to change. The part numbers that TE has identified as EU RoHS compliant have a maximum concentration of 0.1% by weight in homogenous materials for lead, hexavalent chromium, mercury, PBB, PBDE, DBP, BBP, DEHP, DIBP, and 0.01% for cadmium, or qualify for an exemption to these limits as defined in the Annexes of Directive 2011/65/EU (RoHS2). Finished electrical and electronic equipment products will be CE marked as required by Directive 2011/65/EU. Components may not be CE marked. Additionally, the part numbers that TE has identified as EU ELV compliant have a maximum concentration of 0.1% by weight in homogenous materials for lead, hexavalent chromium, and mercury, and 0.01% for cadmium, or qualify for an exemption to these limits as defined in the Annexes of Directive 2000/53/EC (ELV). Regarding the REACH Regulation, the information TE provides on SVHC in articles for this part number is based on the latest European Chemicals Agency (ECHA) 'Guidance on requirements for substances in articles' posted at this URL: <https://echa.europa.eu/guidance-documents/guidance-on-reach>

Compatible Parts



Also in the Series | CHAMP Docking Connectors





IDC D-Sub Connectors(55)

Customers Also Bought



TE Part #T2060002035-000
CHF-35



TE Part #2151743-1
OCEAN_2.0_Applicator-S-080F140OV-RSM



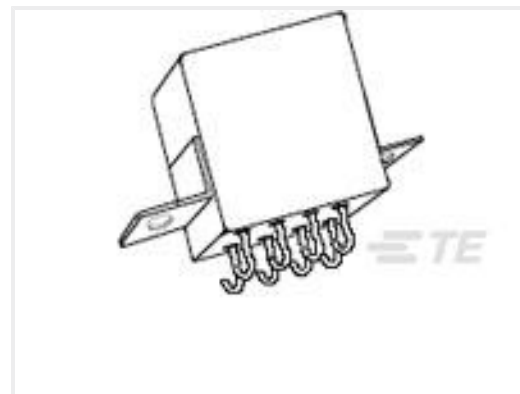
TE Part #1618408-3
KCS01X024EACA=CONTACTOR, CURRENT SENSE



TE Part #321026
SPLICE, PG BUTT 26-22



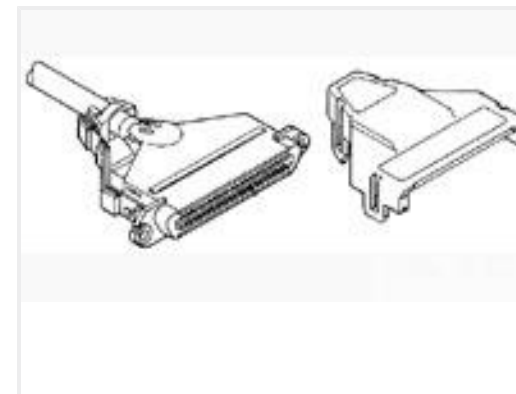
TE Part #5554381-2
RCPT ASSY, 64 POSN, INT LKG LCH



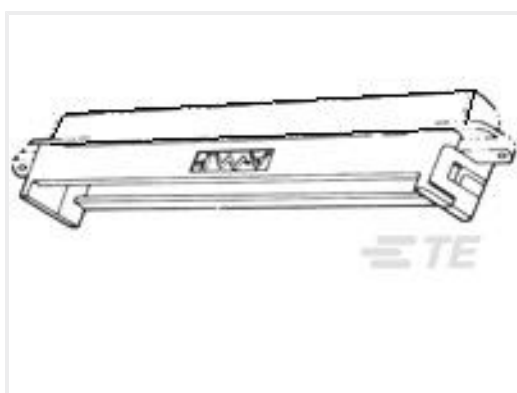
TE Part #1-1617752-0
FCA-210-CY9



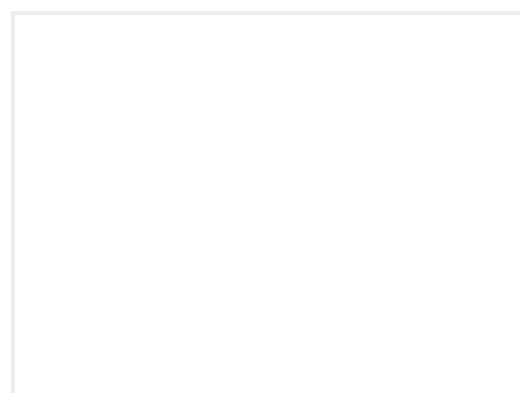
TE Part #2266103-1
OCEAN-2.0-APPLICATOR-S-090F080O-RSM



TE Part #554944-1
COVER KIT, 180 DEG, 24 POS, SHLD



TE Part #1-552296-1
STRAIN RELIEF 64 POS BLACK



TE Part #8-1393139-0
MDR-5161=MDR

Documents

Product Drawings

[ASSY, PLUG, 64 POS, B SLOT](#)

English

CAD Files

[Customer View Model](#)

[ENG_CVM_552276-1_H.3d_igs.zip](#)

English

[Customer View Model](#)



[ENG_CVM_552276-1_H.3d_stp.zip](#)

English

Customer View Model

[ENG_CVM_552276-1_H.2d_dxf.zip](#)

English

3D PDF

English

By downloading the CAD file I accept and agree to the [Terms and Conditions](#) of use.

Product Specifications

[Application Specification](#)

English

Agency Approvals

[UL Report](#)

English

[UL Report](#)

English