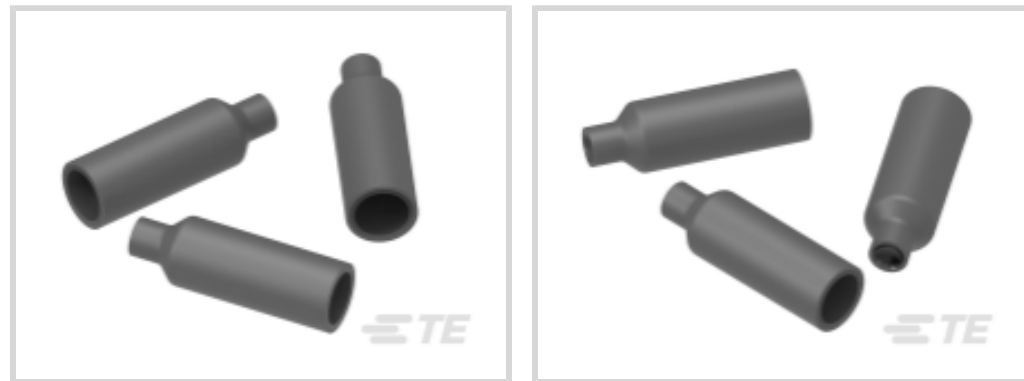




Wire Protection & Management > Heat Shrink Shapes > Heat Shrink Caps



Wall Type: **Dual Wall**

Operating Temperature Range: -55 – 110 °C [-67 – 230 °F]

EU RoHS Compliance: **Compliant**

EU ELV Compliance: **Compliant**

Features

Operation/Application

Mechanical Resistance	Vibration, Fluids, Strain Relief, Abrasion
-----------------------	--

Industry Standards

UL Rating	Recognized
-----------	------------

Body Features

Shrink Ratio	3:1
Primary Product Color	Black
Flexibility	Semi-Rigid
Lining Type	Encapsulant
Primary Product Material	Crosslinked Polyolefin

Dimensions

Recovered Wall Thickness (Nominal)	2.08 mm[.082 in]
Product Length	31.8 mm[1.251 in]
Wall Thickness	Thin
Recovered Inside Diameter (Max)	2.29 mm[.09 in]
Expanded Inside Diameter (Min)	9.53 mm[.375 in]
Compatible Cable Diameter Range	9.5 mm[.37 in]

Usage Conditions

Flammability Performance	Non-Flame-Retardant
--------------------------	---------------------



Resistance Properties

Splash Protection

Fluid Resistance Type

Water, Hydraulic Fluid, Lubricating Oil, Brake Fluid, Chemicals/Solvents

Operating Temperature Range

-55 – 110 °C[-67 – 230 °F]

Product Type Features

Wall Type

Dual Wall

Other

EU RoHS Compliance

Compliant

EU ELV Compliance

Compliant

Product Compliance

[For compliance documentation, visit the product page on TE.com>](#)

EU RoHS Directive 2011/65/EU

Compliant

EU ELV Directive 2000/53/EC

Compliant

China RoHS 2 Directive MIIT Order No 32, 2016

No Restricted Materials Above Threshold

EU REACH Regulation (EC) No. 1907/2006

Current ECHA Candidate List: JUNE 2024 (241)
Candidate List Declared Against: JUNE 2024 (241)
Does not contain REACH SVHC

Halogen Content

Low Halogen - Br, Cl, F, I < 900 ppm per homogenous material. Also BFR/CFR/PVC Free

Solder Process Capability

Not applicable for solder process capability

Product Compliance Disclaimer

This information is provided based on reasonable inquiry of our suppliers and represents our current actual knowledge based on the information they provided. This information is subject to change. The part numbers that TE has identified as EU RoHS compliant have a maximum concentration of 0.1% by weight in homogenous materials for lead, hexavalent chromium, mercury, PBB, PBDE, DBP, BBP, DEHP, DIBP, and 0.01% for cadmium, or qualify for an exemption to these limits as defined in the Annexes of Directive 2011/65/EU (RoHS2). Finished electrical and electronic equipment products will be CE marked as required by Directive 2011/65/EU. Components may not be CE marked. Additionally, the part numbers that TE has identified as EU ELV compliant have a maximum concentration of 0.1% by weight in homogenous materials for lead, hexavalent chromium, and mercury, and 0.01% for cadmium, or qualify for an exemption to these limits as defined in the Annexes of Directive 2000/53/EC (ELV). Regarding the REACH Regulation, the information TE provides on SVHC in articles for this part number is based on the latest European Chemicals Agency (ECHA) 'Guidance on requirements for substances in articles' posted at this URL: <https://echa.europa.eu/guidance-documents/guidance-on-reach>

Compatible Parts



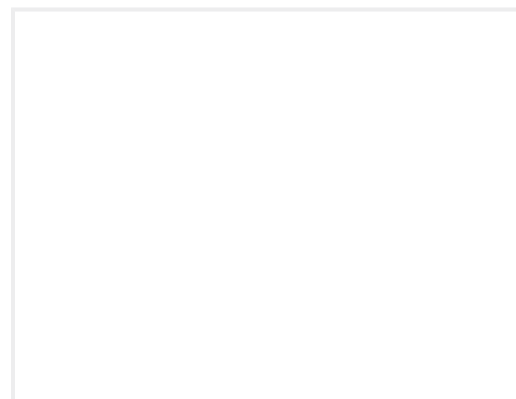
TE Part # 955018-000
CLTEQ-M105-TUNNEL-OVEN



TE Part # 2375320-1
XB19 Belt Heater, STD



TE Part # 1-2376800-3
RBK-X1C, W/ AIR COOLING



TE Part # 1-2375320-1
XB19 BELT HEATER, AUTO SHUT OFF



TE Part # 2376800-1
RBK-X1C STD



TE Part # 2234800-1
RBK-X1 STD



TE Part # 2234800-2
RBK-X1 CE STD



TE Part # 2280355-1
220 V MODEL 17



TE Part # 1-2234800-4
RBK-X1 CE, W/ AIR COOLING



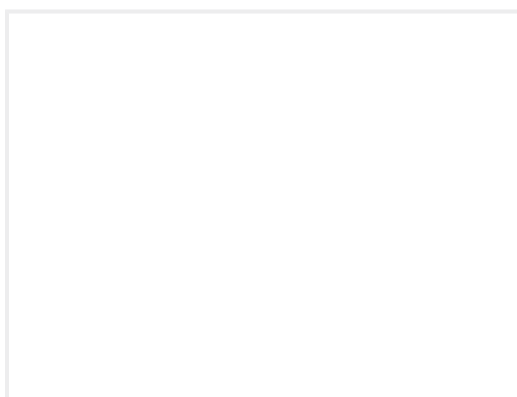
TE Part # 2394980-1
MOD 105 TUN OVEN, 69" ENTRY,
STARDARD



TE Part # 2375310-2
XB17 Belt Heater, 110V



TE Part # 1-2376800-4
RBK-X1C CE, W/ AIR COOLING



TE Part # 1-528018-1
IR-1891 SHUTTLE RETURN



TE Part # 2375320-2
XB19 Belt Heater, 150mm (6") Version



TE Part # 2375310-1
XB17 Belt Heater, 220V



TE Part # 1-2234800-1
RBK-X1, AUTO TRIGGER



TE Part # 2326489-1
MODEL 105 TUNNEL OVEN, 36"
ENTRY, STAND

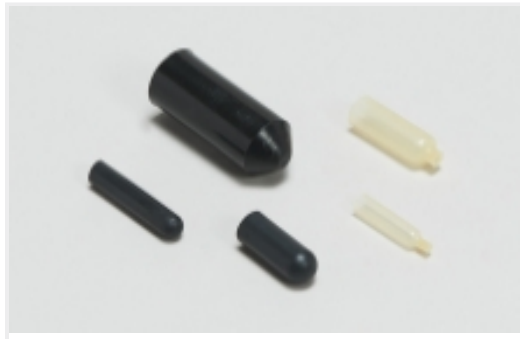


TE Part # 1-2234800-3
RBK-X1, W/ AIR COOLING



TE Part # 2376800-2
RBK-X1C CE STD

Also in the Series | [RAYCHEM PD Cap](#)



Heat Shrink Caps(6)

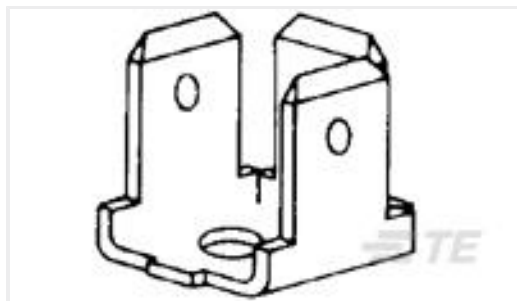
Customers Also Bought



TE Part #5510040002
PD-CAP-1/4-0



TE Part #0561490001
RPS-18-12/2.0-9



TE Part #62261-1
250 FASTON TAB BR



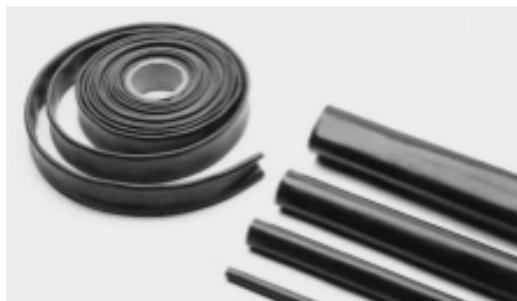
TE Part #5510320002
PD-CAP-1/8-0



TE Part #NB17364001
RP-4800-NO.2-0-SP



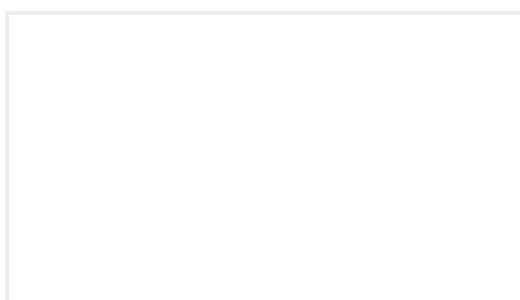
TE Part #5510310004
PD-CAP-3/16-0



TE Part #CAT-HST-XFFR
XFFR Heat Shrink Tubing



TE Part #086827-000
RMK-250X25-A4



TE Part #EG7019-000
THX-24C112-811-9-E628

Documents

Product Drawings

[PD-CAP-3/8-0](#)

English

Datasheets & Catalog Pages

[Measuring_Single_Wall_Tubing](#)

English

[PD Caps Pages from 9-1773447-9](#)

English



Selecting_Correct_Tubing_1216

English

Semirigid, Encapsulant-Lined Heat-Shrinkable End Caps

English

Product Specifications

Application Specification

English