

54483-4 ✓ ACTIVE

AMP

TE Internal #: 54483-4

Housing, Plug / Receptacle, Wire-to-Wire, 4 Position, 7.92 mm [.312 in] Centerline, Wire & Cable, UL 94V-0, Power, Rectangular Power Connectors

[View on TE.com >](#)



Connectors > Power Connectors > Rectangular Power > Rectangular Power Connectors



Rectangular Power Connector Type: **Housing**

Connector & Housing Type: **Receptacle, Plug**

Connector System: **Wire-to-Wire**

Number of Positions: **4**

Centerline (Pitch): **7.92 mm [.312 in]**

Features

Packaging Features

Packaging Quantity	200
Packaging Method	Bag

Dimensions

Product Width	31.7 mm[1.248 in]
Product Length	24.51 mm[.965 in]
Connector Height	7.92 mm[.312 in]
Wire Size	.8 – 3 mm ²

Industry Standards

Compatible With Agency/Standards Products	UL, CSA
UL Rating	Recognized
Compatible With Approved Standards Products	UL E28476
CSA Rating	LR 7189, Certified
UL Flammability Rating	UL 94V-0

Configuration Features



Compatible With Wire & Cable Type	Discrete Wire
Number of Positions	4
Number of Power Positions	4
Number of Signal Positions	0
Number of Rows	1

Product Type Features

Rectangular Power Connector Type	Housing
Connector & Housing Type	Receptacle, Plug
Connector System	Wire-to-Wire
Sealable	No
Connector & Contact Terminates To	Wire & Cable

Electrical Characteristics

Operating Voltage	600 VDC
-------------------	---------

Contact Features

Contact Current Rating (Max)	31 A
Contact Retention Within Housing	With
Contact Type	Blade

Termination Features

Termination Method to Wire & Cable	Crimp & Solder
------------------------------------	----------------

Mechanical Attachment

Connector Mounting Type	Panel Mount
-------------------------	-------------

Housing Features

Centerline (Pitch)	7.92 mm [.312 in]
Housing Material	Nylon

Usage Conditions

Operating Temperature Range	-40 – 75 °C [-40 – 167 °F]
-----------------------------	----------------------------

Operation/Application

Circuit Application	Power
---------------------	-------

Other

EU RoHS Compliance	Compliant
EU ELV Compliance	Compliant

Product Compliance

[For compliance documentation, visit the product page on TE.com>](#)

EU RoHS Directive 2011/65/EU	Compliant
EU ELV Directive 2000/53/EC	Compliant
China RoHS 2 Directive MIIT Order No 32, 2016	No Restricted Materials Above Threshold
EU REACH Regulation (EC) No. 1907/2006	Current ECHA Candidate List: JUNE 2024 (241) Candidate List Declared Against: JUNE 2024 (241) Does not contain REACH SVHC
Halogen Content	Low Halogen - Br, Cl, F, I < 900 ppm per homogenous material. Also BFR/CFR/PVC Free
Solder Process Capability	Not applicable for solder process capability

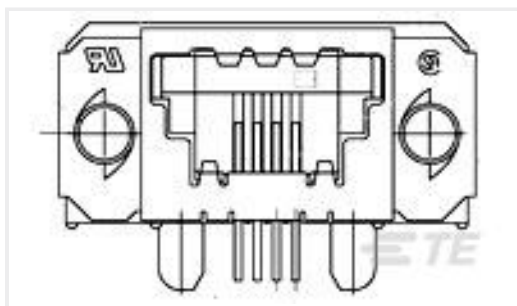
Product Compliance Disclaimer

This information is provided based on reasonable inquiry of our suppliers and represents our current actual knowledge based on the information they provided. This information is subject to change. The part numbers that TE has identified as EU RoHS compliant have a maximum concentration of 0.1% by weight in homogenous materials for lead, hexavalent chromium, mercury, PBB, PBDE, DBP, BBP, DEHP, DIBP, and 0.01% for cadmium, or qualify for an exemption to these limits as defined in the Annexes of Directive 2011/65/EU (RoHS2). Finished electrical and electronic equipment products will be CE marked as required by Directive 2011/65/EU. Components may not be CE marked. Additionally, the part numbers that TE has identified as EU ELV compliant have a maximum concentration of 0.1% by weight in homogenous materials for lead, hexavalent chromium, and mercury, and 0.01% for cadmium, or qualify for an exemption to these limits as defined in the Annexes of Directive 2000/53/EC (ELV). Regarding the REACH Regulation, the information TE provides on SVHC in articles for this part number is based on the latest European Chemicals Agency (ECHA) 'Guidance on requirements for substances in articles' posted at this URL: <https://echa.europa.eu/guidance-documents/guidance-on-reach>

Compatible Parts



Customers Also Bought



TE Part #4-1761206-1
4 SDLE RCPT ASSY PART SIELD



TE Part #2-644488-6
06P MTA100 SHRD HDR F/L R/A SN



TE Part #3-1879353-6
RR02 5% 120K AMMO



TE Part #643414-1
03P UMNL HDR ASSY POL 94VO



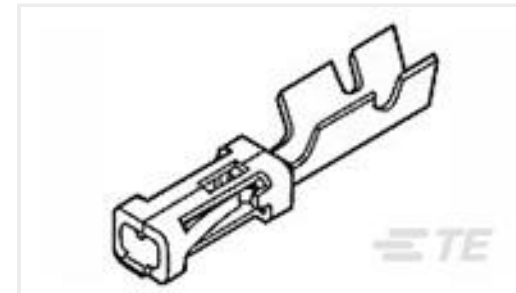
TE Part #87499-8
04 MODIV HSG COMP SR .100CL



TE Part #2-644486-5
05P MTA100 SHRDED HDR ASSY SN



TE Part #102241-3
05 MODIV HSG COMP SR .100 POL



TE Part #87309-8
MOD V RECP PLTD SN



TE Part #413119-000
CTC-0041-22



TE Part #3-2176479-9
RA73F 1J 127R 0.1% 5K RL

Documents

Product Drawings

[HSG ASSY,PWR LK,SRS 1,4 POS](#)

English

CAD Files

[3D PDF](#)

3D

Customer View Model

[ENG_CVM_CVM_54483-4_L.2d_dxf.zip](#)

English

Customer View Model

[ENG_CVM_CVM_54483-4_L.3d_igs.zip](#)

English

Customer View Model

[ENG_CVM_CVM_54483-4_L.3d_stp.zip](#)

English

[3D PDF](#)

English



Customer View Model

[ENG_CVM_54483-4_E.2d_dxf.zip](#)

English

Customer View Model

[ENG_CVM_54483-4_E.3d_igs.zip](#)

English

Customer View Model

[ENG_CVM_54483-4_E.3d_stp.zip](#)

English

By downloading the CAD file I accept and agree to the [Terms and Conditions](#) of use.

Product Specifications

[Application Specification](#)

English

[Application Specification](#)

Japanese

[Power-Lock 75 Series Contacts](#)

Japanese

Instruction Sheets

[Instruction Sheet \(U.S.\)](#)

English

Agency Approvals

[Agency Approval Document](#)

English