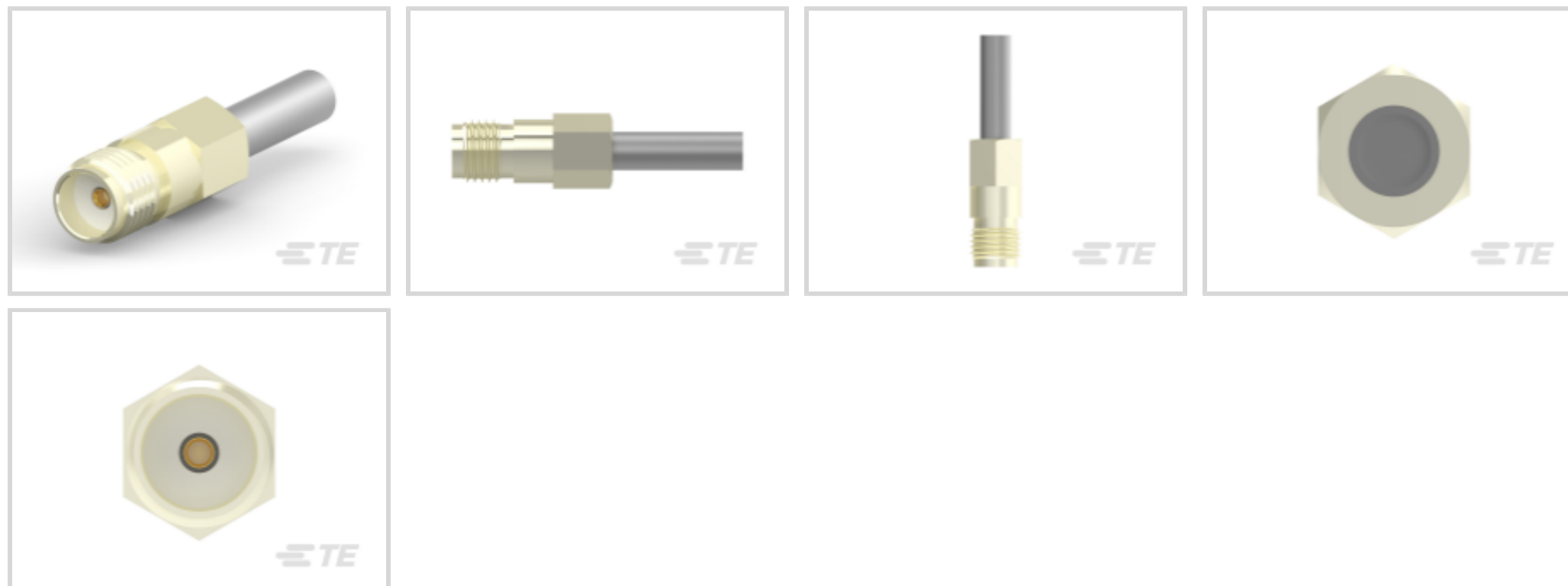




Connectors > RF Connectors > Coax Connectors



RF Interface: **SMA**

RF Connector Style: **Jack**

RF Connector Mated Outer Diameter (Approximate): **6.35 mm [ .25 in ]**

Impedance: **50 Ω**

Compatible With RF Cable Type: **RG 188, RG 174, RG 316**

## Features

### Contact Features

Crimp Type	Hexagonal Crimping
RF Connector Contact Configuration	Captivated Contacts
RF Connector Center Contact Underplating Material	Nickel
RF Connector Center Contact Plating Material	Gold
RF Connector Center Contact Material	Beryllium Copper

### Dimensions

Product Length	27.43 mm[1.08 in]
RF Connector Mated Outer Diameter (Approximate)	6.35 mm[.25 in]

### Product Type Features

Connector Product Type	Connector Assembly
RF Interface	SMA
RF Connector Style	Jack
Compatible With RF Cable Type	RG 188, RG 174, RG 316
Connector System	Cable-to-Board
Sealable	No

Connector & Contact Terminates To	Wire & Cable
-----------------------------------	--------------

### Electrical Characteristics

Impedance	50 $\Omega$
-----------	-------------

### Mechanical Attachment

RF Connector Coupling Mechanism	Screw
---------------------------------	-------

Connector Mounting Type	Panel Mount
-------------------------	-------------

RF Contact Captivation Method	Mechanical
-------------------------------	------------

Detent	Without
--------	---------

### Operation/Application

Operating Frequency	26 GHz
---------------------	--------

### Configuration Features

Number of Positions	1
---------------------	---

Number of Coaxial Contacts	1
----------------------------	---

### Body Features

Cable Connector Orientation	Straight
-----------------------------	----------

Body Material	Stainless Steel
---------------	-----------------

Body Material Finish	Bright
----------------------	--------

Body Plating Material	Nickel
-----------------------	--------

### Termination Features

Termination Method to Wire & Cable	Crimp
------------------------------------	-------

### Packaging Features

Packaging Method	Carton
------------------	--------

### Other

Dielectric Material	PTFE
---------------------	------

EU RoHS Compliance	Compliant with Exemptions
--------------------	---------------------------

EU ELV Compliance	Compliant with Exemptions
-------------------	---------------------------

### Product Compliance

[For compliance documentation, visit the product page on TE.com>](#)

EU RoHS Directive 2011/65/EU	Compliant with Exemptions
------------------------------	---------------------------

EU ELV Directive 2000/53/EC	Compliant with Exemptions
-----------------------------	---------------------------

China RoHS 2 Directive MIIT Order No 32, 2016	Restricted Materials Above Threshold
---	--------------------------------------

EU REACH Regulation (EC) No. 1907/2006

Current ECHA Candidate List: JUNE 2024 (241)

Candidate List Declared Against: JUL 2021 (219)

SVHC > Threshold:

Pb (3.7% in Component Part)

**Article Safe Usage Statements:**

Do not eat, drink or smoke when using this product. Wash thoroughly after handling. Recycle if possible and dispose of the article by following all applicable governmental regulations relevant to your geographic location.

Halogen Content

Low Bromine/Chlorine - Br and Cl < 900 ppm per homogenous material. Also BFR /CFR/PVC Free

Solder Process Capability

Not applicable for solder process capability

**Product Compliance Disclaimer**

This information is provided based on reasonable inquiry of our suppliers and represents our current actual knowledge based on the information they provided. This information is subject to change. The part numbers that TE has identified as EU RoHS compliant have a maximum concentration of 0.1% by weight in homogenous materials for lead, hexavalent chromium, mercury, PBB, PBDE, DBP, BBP, DEHP, DIBP, and 0.01% for cadmium, or qualify for an exemption to these limits as defined in the Annexes of Directive 2011/65/EU (RoHS2). Finished electrical and electronic equipment products will be CE marked as required by Directive 2011/65/EU. Components may not be CE marked. Additionally, the part numbers that TE has identified as EU ELV compliant have a maximum concentration of 0.1% by weight in homogenous materials for lead, hexavalent chromium, and mercury, and 0.01% for cadmium, or qualify for an exemption to these limits as defined in the Annexes of Directive 2000/53/EC (ELV). Regarding the REACH Regulation, the information TE provides on SVHC in articles for this part number is based on the latest European Chemicals Agency (ECHA) 'Guidance on requirements for substances in articles' posted at this URL: <https://echa.europa.eu/guidance-documents/guidance-on-reach>

**Also in the Series | SMA**



Battery Holders(1)



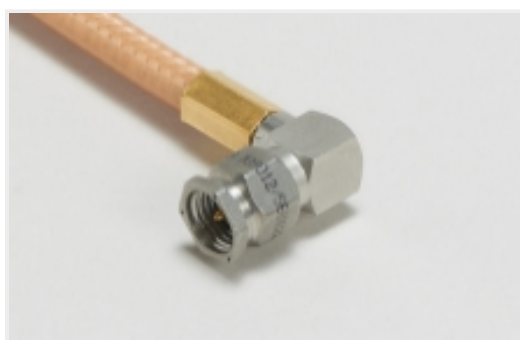
Connector Adapters & Connector Savers(8)



Connector Caps & Covers(3)



Connector Strain Relief(1)



RF Cable Assemblies(2)

**Customers Also Bought**



TE Part #205560-2  
AMPLIMITE,ASY,PLUG,STD,109,3



TE Part #T4073014031-001  
M8.FMLE.PNLFRONT.3POS.STR WIRE



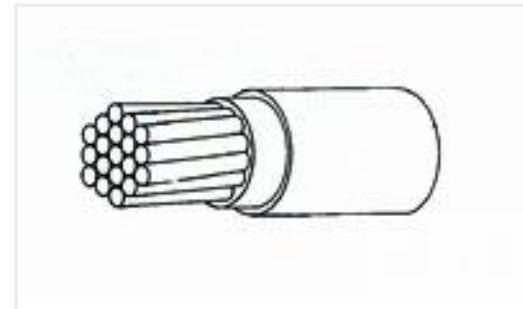
TE Part #YDTS20W15-35SNV001  
RECP ASSY



TE Part #1-1414687-0  
V23136A0004X059-EV-CBOX



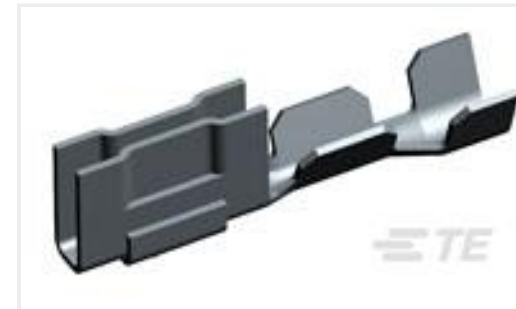
TE Part #YDTS26W15-35PNV001  
PLUG ASSY



TE Part #343854-000  
22759/34-16-6



TE Part #YDTS26F21-16PNV001  
PLUG ASSY



TE Part #1375819-2  
CST-100 II CONTACT 15 GOLD PLT



TE Part #1757823-7  
AMPLIMITE,ASY,PLUG,STD,90,ZN,1,CT

## Documents

### Product Drawings

JACK, SMA, HEX CRIMP COMM

English

### CAD Files

3D PDF

3D

Customer View Model

[ENG\\_CVM\\_CVM\\_5447648-3\\_O.2d\\_dxf.zip](#)

English

Customer View Model

[ENG\\_CVM\\_CVM\\_5447648-3\\_O.3d\\_igs.zip](#)

English

Customer View Model

[ENG\\_CVM\\_CVM\\_5447648-3\\_O.3d\\_stp.zip](#)

English

By downloading the CAD file I accept and agree to the [Terms and Conditions](#) of use.

### Datasheets & Catalog Pages



[SMA Connectors](#)

English