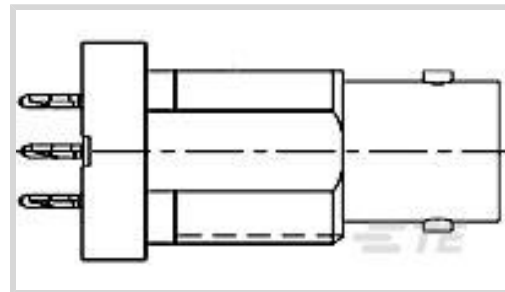




Connectors > RF Connectors > Coax Connectors



RF Interface: **BNC**

RF Connector Style: **Jack**

RF Connector Mated Outer Diameter (Approximate): **14.53 mm [.572 in]**

Impedance: **75 Ω**

RF Connector Coupling Mechanism: **Bayonet**

Features

Termination Features

Termination Method to PCB	Through Hole - Press-Fit
Termination Post & Tail Length	4.37 mm[.172 in]

Usage Conditions

Insulation Option	Uninsulated
-------------------	-------------

Other

Additional Features	Hardware Included
Grade	Commercial
Dielectric Material	PTFE
EU RoHS Compliance	Not Compliant
EU ELV Compliance	Not Compliant

Contact Features

RF Connector Center Contact Underplating Material	Nickel
	1651 μin
RF Connector Center Contact Plating Material	Gold
RF Connector Center Contact Material	Beryllium Copper

Configuration Features

PCB Mount Orientation	Vertical
Number of Positions	1
Number of Coaxial Contacts	1

Mechanical Attachment

Panel Mount Feature Type	Lockwasher and Nut
Panel Attachment Style	Rear Mount
PCB Mount Retention	With
RF Connector Coupling Mechanism	Bayonet
Connector Mounting Type	Panel Mount
RF Contact Captivation Method	Solder
Detent	With

Dimensions

Profile Height from PCB	28.77 mm[1.133 in]
RF Connector Mated Outer Diameter (Approximate)	14.53 mm[.572 in]

Product Type Features

RF Interface	BNC
RF Connector Style	Jack
Connector System	Cable-to-Board
Sealable	No
Connector & Contact Terminates To	Printed Circuit Board

Electrical Characteristics

Impedance	75 Ω
-----------	-------------

Operation/Application

Operating Frequency	4 GHz
---------------------	-------

Body Features

Body Material	Zinc
Body Plating Material	Nickel

Packaging Features

Packaging Method	Carton
------------------	--------

Product Compliance

[For compliance documentation, visit the product page on TE.com>](#)

EU RoHS Directive 2011/65/EU	Not Compliant
EU ELV Directive 2000/53/EC	Not Compliant
China RoHS 2 Directive MIIT Order No 32, 2016	Restricted Materials Above Threshold
EU REACH Regulation (EC) No. 1907/2006	



Current ECHA Candidate List: JUNE 2024
(241)

Candidate List Declared Against: JUNE
2023 (235)

SVHC > Threshold:

Pb (3.7% in Component Part)

Article Safe Usage Statements:

Do not eat, drink or smoke when using this product. Wash thoroughly after handling. Recycle if possible and dispose of the article by following all applicable governmental regulations relevant to your geographic location.

Halogen Content

Low Bromine/Chlorine - Br and Cl < 900 ppm per homogenous material. Also BFR /CFR/PVC Free

Solder Process Capability

Not applicable for solder process capability

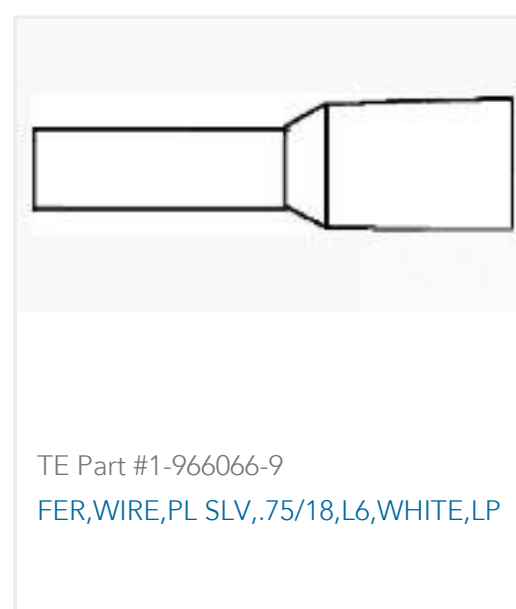
Product Compliance Disclaimer

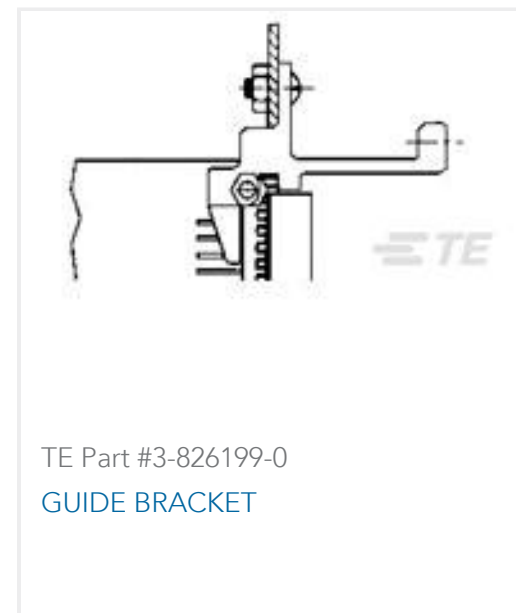
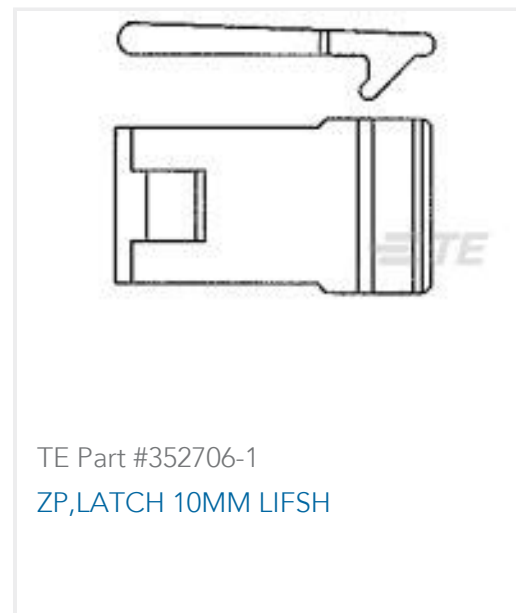
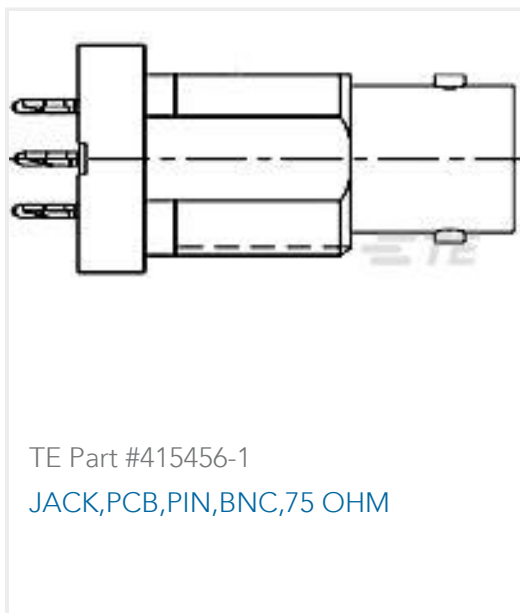
This information is provided based on reasonable inquiry of our suppliers and represents our current actual knowledge based on the information they provided. This information is subject to change. The part numbers that TE has identified as EU RoHS compliant have a maximum concentration of 0.1% by weight in homogenous materials for lead, hexavalent chromium, mercury, PBB, PBDE, DBP, BBP, DEHP, DIBP, and 0.01% for cadmium, or qualify for an exemption to these limits as defined in the Annexes of Directive 2011/65/EU (RoHS2). Finished electrical and electronic equipment products will be CE marked as required by Directive 2011/65/EU. Components may not be CE marked. Additionally, the part numbers that TE has identified as EU ELV compliant have a maximum concentration of 0.1% by weight in homogenous materials for lead, hexavalent chromium, and mercury, and 0.01% for cadmium, or qualify for an exemption to these limits as defined in the Annexes of Directive 2000/53/EC (ELV). Regarding the REACH Regulation, the information TE provides on SVHC in articles for this part number is based on the latest European Chemicals Agency (ECHA) 'Guidance on requirements for substances in articles' posted at this URL: <https://echa.europa.eu/guidance-documents/guidance-on-reach>

Compatible Parts



Customers Also Bought





Documents

Product Drawings

JACK,PCB,PIN,BNC,75 OHM

English

CAD Files

3D PDF

3D

Customer View Model

[ENG_CVM_CVM_5415456-1_A.2d_dxf.zip](#)

English

Customer View Model

[ENG_CVM_CVM_5415456-1_A.3d_igs.zip](#)

English

Customer View Model

[ENG_CVM_CVM_5415456-1_A.3d_stp.zip](#)

English

By downloading the CAD file I accept and agree to the [Terms and Conditions](#) of use.

Datasheets & Catalog Pages

BNC Connectors

English