

5352712-1 ✓ ACTIVE

Z-PACK | Z-PACK 2mm HM

TE Internal #: 5352712-1

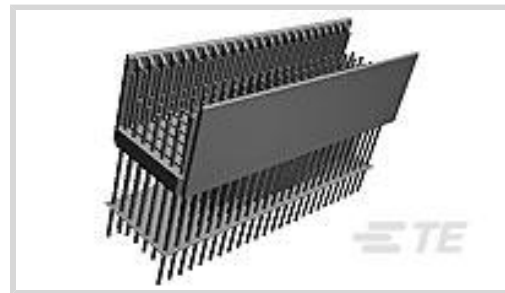
Hard Metric Backplane PCB Mount Header, ≤1 Gb/s, 22 Column, 7 Row, Mezzanine, 154 Position, 2 mm [.078 in] Centerline, Vertical, Gray, Z-PACK 2mm HM

[View on TE.com >](#)



[Connectors >](#) [PCB Connectors >](#) [Backplane Connectors >](#) [Hard Metric Backplane Connectors >](#)

[Hard Metric Male Connector: Traditional Backplane, Mezzanine, 2mm](#)



PCB Connector Assembly Type: **PCB Mount Header**

Data Rate: **≤1 Gb/s**

Number of Columns: **22**

Number of Rows: **7**

Backplane Architecture: **Mezzanine**

[All Hard Metric Male Connector: Traditional Backplane, Mezzanine, 2mm \(124\)](#)

Features

Industry Standards

UL Flammability Rating	UL 94V-0
------------------------	----------

Mechanical Attachment

Connector Mounting Type	Board Mount
-------------------------	-------------

Front Mating Level	Level 1
--------------------	---------

Dimensions

Backplane Module Length	44 mm
-------------------------	-------

Operation/Application

Shielded	Yes
----------	-----

Circuit Application	Power & Signal
---------------------	----------------

Contact Features

Contact Underplating Material	Nickel
-------------------------------	--------

Contact Base Material	Phosphor Bronze
-----------------------	-----------------

CompactPCI Designation	P2/P5
------------------------	-------

PCB Contact Termination Area Plating Material	Tin
---	-----

Contact Type	Pin
--------------	-----

Contact Mating Area Plating Material	Gold
--------------------------------------	------



Contact Mating Area Plating Material Thickness	1.27 μm[50 μin]
--	-----------------

Contact Current Rating (Max)	1.5 A
------------------------------	-------

Packaging Features

Packaging Quantity	11
--------------------	----

Packaging Method	Tray
------------------	------

Housing Features

Housing Material	Polyester - GF
------------------	----------------

Centerline (Pitch)	2 mm[.078 in]
--------------------	---------------

Configuration Features

Rows Loaded	Z, B, C, D, E, A, F
-------------	---------------------

Number of Signal Positions	110
----------------------------	-----

Number of Columns	22
-------------------	----

Number of Rows	7
----------------	---

Backplane Architecture	Mezzanine
------------------------	-----------

Number of Positions	154
---------------------	-----

PCB Mount Orientation	Vertical
-----------------------	----------

Signal Characteristics

Crosstalk Version	Standard
-------------------	----------

Data Rate	≤1 Gb/s
-----------	---------

Product Type Features

Connector & Contact Terminates To	Printed Circuit Board
-----------------------------------	-----------------------

Backplane Interface Type	2mm HM
--------------------------	--------

Connector System	Board-to-Board
------------------	----------------

PCB Connector Assembly Type	PCB Mount Header
-----------------------------	------------------

Sealable	No
----------	----

Body Features

Primary Product Color	Gray
-----------------------	------

Usage Conditions

Operating Temperature Range	-55 – 125 °C[-67 – 257 °F]
-----------------------------	----------------------------

Other

EU RoHS Compliance	Compliant
--------------------	-----------



EU ELV Compliance

Compliant

Product Compliance

[For compliance documentation, visit the product page on TE.com>](#)

EU RoHS Directive 2011/65/EU	Compliant
EU ELV Directive 2000/53/EC	Compliant
China RoHS 2 Directive MIIT Order No 32, 2016	No Restricted Materials Above Threshold
EU REACH Regulation (EC) No. 1907/2006	Current ECHA Candidate List: JUNE 2024 (241) Candidate List Declared Against: JUNE 2024 (241) Does not contain REACH SVHC
Halogen Content	Not Low Halogen - contains Br or Cl > 900 ppm.
Solder Process Capability	Not applicable for solder process capability

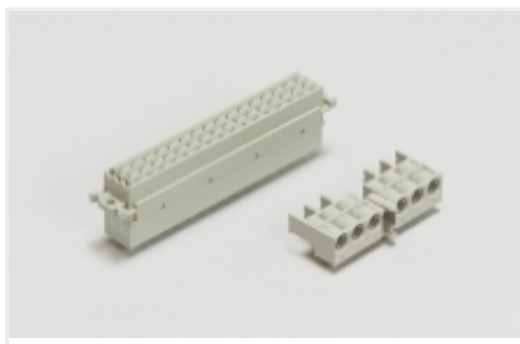
Product Compliance Disclaimer

This information is provided based on reasonable inquiry of our suppliers and represents our current actual knowledge based on the information they provided. This information is subject to change. The part numbers that TE has identified as EU RoHS compliant have a maximum concentration of 0.1% by weight in homogenous materials for lead, hexavalent chromium, mercury, PBB, PBDE, DBP, BBP, DEHP, DIBP, and 0.01% for cadmium, or qualify for an exemption to these limits as defined in the Annexes of Directive 2011/65/EU (RoHS2). Finished electrical and electronic equipment products will be CE marked as required by Directive 2011/65/EU. Components may not be CE marked. Additionally, the part numbers that TE has identified as EU ELV compliant have a maximum concentration of 0.1% by weight in homogenous materials for lead, hexavalent chromium, and mercury, and 0.01% for cadmium, or qualify for an exemption to these limits as defined in the Annexes of Directive 2000/53/EC (ELV). Regarding the REACH Regulation, the information TE provides on SVHC in articles for this part number is based on the latest European Chemicals Agency (ECHA) 'Guidance on requirements for substances in articles' posted at this URL: <https://echa.europa.eu/guidance-documents/guidance-on-reach>

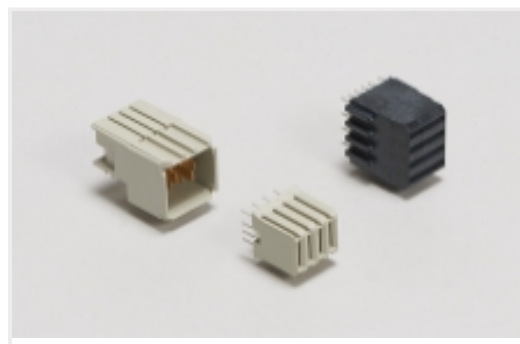
Compatible Parts



Also in the Series | [Z-PACK 2mm HM](#)



Backplane Connector Housings(4)



Backplane Power Connectors(1)



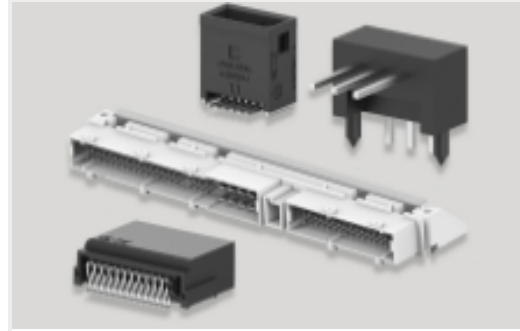
Connector Caps & Covers(62)



Connector Contacts(2)



Insertion & Extraction Tools(2)

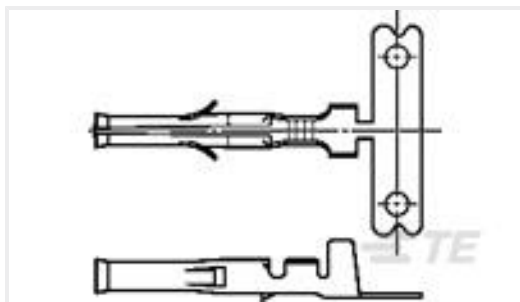


PCB Headers & Receptacles(46)

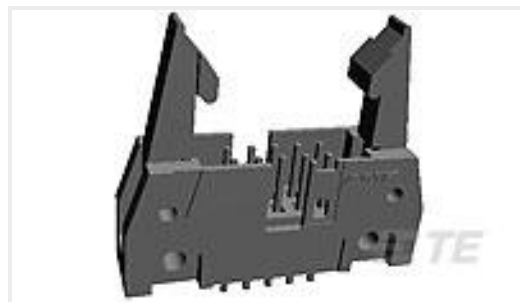


Power Contacts(2)

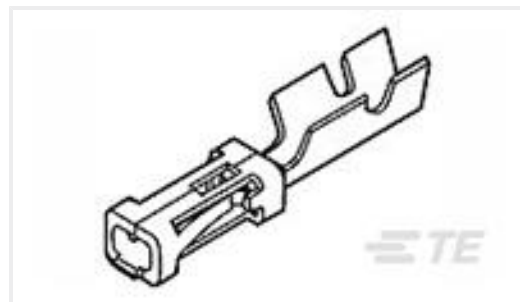
Customers Also Bought



TE Part #794019-1
.062 CP&S SOK PTPBR L/P 30-24



TE Part #499206-1
010 UNIV HDR SP 4S 30DP STD L1



TE Part #86492-6
MOD IV RECP PLTD 30 SEL



TE Part #2007435-3
Std HDMI, Flag, T/H



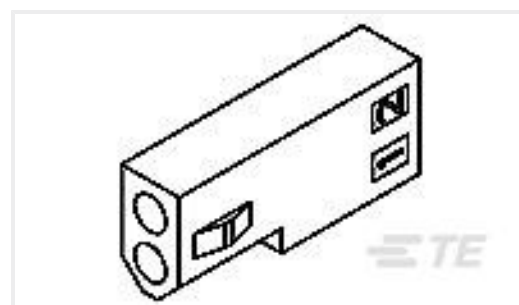
TE Part #1648205-1
297-10-01100=SA CONN,PIN



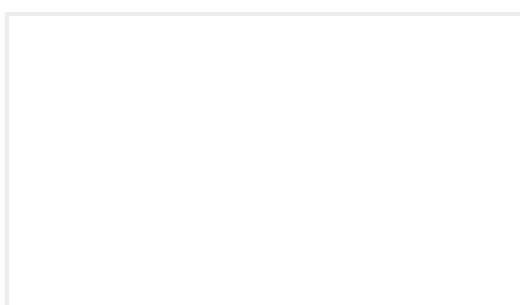
TE Part #66024-2
TAB,PIDG TERMI-BK 16-14



TE Part #5222092-1
JACK,RTANG,PCB,75 OHM,BNC



TE Part #770333-1
03P .062 COMM P&S RECPT



TE Part #312140-1
KEY



TE Part #1648162-1
261-0006-01100

Documents



Product Drawings

Z-PACK/B-HDR, 154 POSN

English

CAD Files

3D PDF

English

Customer View Model

[ENG_CVM_5352712-1_A.2d_dxf.zip](#)

English

Customer View Model

[ENG_CVM_5352712-1_A.3d_igs.zip](#)

English

Customer View Model

[ENG_CVM_5352712-1_A.3d_stp.zip](#)

English

By downloading the CAD file I accept and agree to the [Terms and Conditions](#) of use.

Product Specifications

Application Specification

English