



Wire Protection & Management > Interconnect Devices > SolderSleeve Shield Terminators



Operating Temperature (Max): 125 °C [257 °F]

Expanded Inside Diameter (Min): 13 mm [.512 in]

Recovered Inside Diameter (Max): 7.01 mm [.276 in]

Pre-Installed Lead: **Yes**

Resistance Properties: **Splash Protection**

Features

Product Type Features

Temperature Indicator	No
-----------------------	----

Configuration Features

Pre-Installed Lead Type	XL Polyethylene
Pre-Installed Lead	Yes

Body Features

Lead Stranding	Stranded
Lead Plating Material	Tin
Lead Color	Green

Dimensions

Compatible Jacket Diameter Range	13 mm[.51 in]
Product Length	45.5 mm[1.79 in]
Shield Outside Diameter (Min)	8.9 mm[.35 in]
Pre-Installed Lead Wire Size	.38 mm ²
Expanded Inside Diameter (Min)	13 mm[.512 in]
Recovered Inside Diameter (Max)	7.01 mm[.276 in]

Usage Conditions

Operating Temperature (Max)	125 °C[257 °F]
Resistance Properties	Splash Protection



Wire Temperature (Max)	85 °C
------------------------	-------

Industry Standards

MIL/NAS Specification (MIL-S-83519, NAS-1747)	No
Government Qualified	No

Product Compliance

[For compliance documentation, visit the product page on TE.com>](#)

EU RoHS Directive 2011/65/EU	Not Compliant
EU ELV Directive 2000/53/EC	Not Compliant
China RoHS 2 Directive MIIT Order No 32, 2016	Restricted Materials Above Threshold
EU REACH Regulation (EC) No. 1907/2006	<p>Current ECHA Candidate List: JUNE 2025 (250)</p> <p>Candidate List Declared Against: JAN 2025 (247)</p> <p>SVHC > Threshold:</p> <p>Cd (18% in Solder)</p> <p>Pb (32% in Solder)</p> <p>Article Safe Usage Statements: Use personal protective equipment as required. Do not eat, drink or smoke when using this product. Wash thoroughly after handling. Recycle if possible and dispose of the article by following all applicable governmental regulations relevant to your geographic location.</p>

Halogen Content	Low Halogen - Br, Cl, F < 900 ppm per homogenous material. Also BFR/CFR/PVC Free
-----------------	--

Solder Process Capability	Not applicable for solder process capability
---------------------------	--

Product Compliance Disclaimer

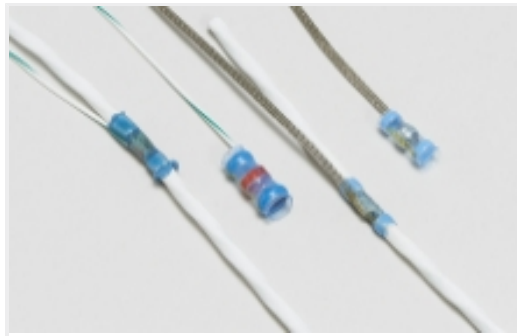
This information is provided based on reasonable inquiry of our suppliers and represents our current actual knowledge based on the information they provided. This information is subject to change. The part numbers that TE has identified as EU RoHS compliant have a maximum concentration of 0.1% by weight in homogenous materials for lead, hexavalent chromium, mercury, PBB, PBDE, DBP, BBP, DEHP, DIBP, and 0.01% for cadmium, or qualify for an exemption to these limits as defined in the Annexes of Directive 2011/65/EU (RoHS2). Finished electrical and electronic equipment products will be CE marked as required by Directive 2011/65/EU. Components may not be CE marked. Additionally, the part numbers that TE has identified as EU ELV compliant have a maximum concentration of 0.1% by weight in homogenous materials for lead, hexavalent chromium, and mercury, and 0.01% for cadmium, or qualify for an exemption to these limits as defined in the Annexes of Directive 2000/53/EC (ELV). Regarding the REACH Regulation, the information TE provides on SVHC in articles for this part number is based on the latest European Chemicals Agency (ECHA) 'Guidance on requirements for substances in articles' posted at this URL: <https://echa.europa.eu/guidance-documents/guidance-on-reach>

Compatible Parts



TE Part # EG8162-000
HL1920E-230V-EURO

Also in the Series | RAYCHEM CWT



SolderSleeve Shield Terminators(24)

Customers Also Bought



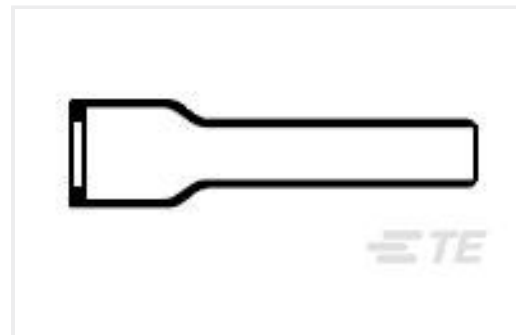
TE Part #806704-000
222A163-25-0



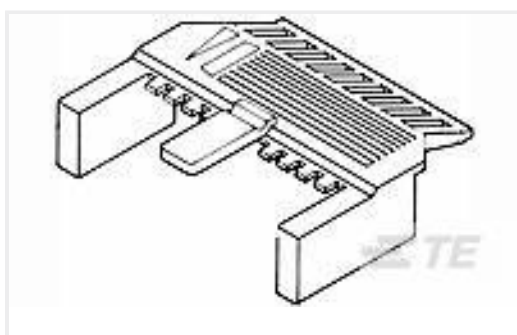
TE Part #CAT-R21-T319
Single Wall RT 1145: Heat Shrink
Tubing



TE Part #195133-000
S1255-04-3/4X100FT



TE Part #811175-000
202D232-12-0



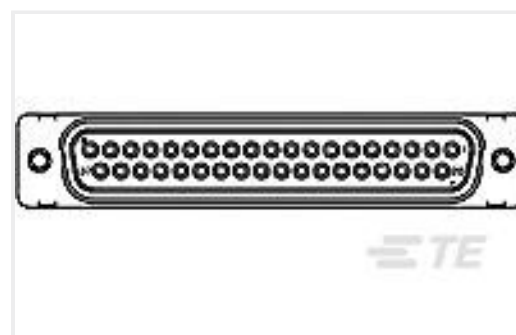
TE Part #102537-3
10 AMPMODU MT COVER DR .100CL



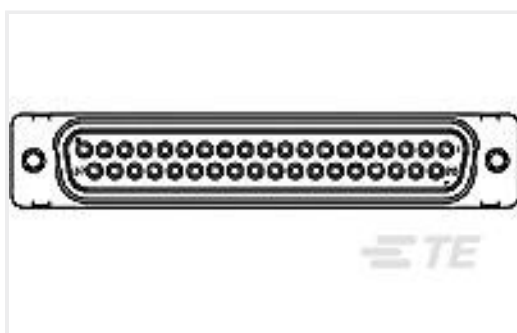
TE Part #323680
TERMINAL,SOLIS R HT 12-10 10



TE Part #328822
TERMINAL,SOLIS R HT 8 10



TE Part #1484948-1
AMPLIMITE,PLG ASY,37P,SZ4,SER109



TE Part #1484950-1
AMPLIMITE PLG ASY,25P,SZ3,SER109



Documents

Product Drawings

[CWT-13-W122-5](#)

English

Datasheets & Catalog Pages

[1654025_Sec8_B-155_CWT_D-110_D-1744](#)

English

Product Specifications

[SolderSleeve One-Step Wire and Cable Terminators Installation Procedures for CWT and B-155 Products](#)

English

Product Specification

English